
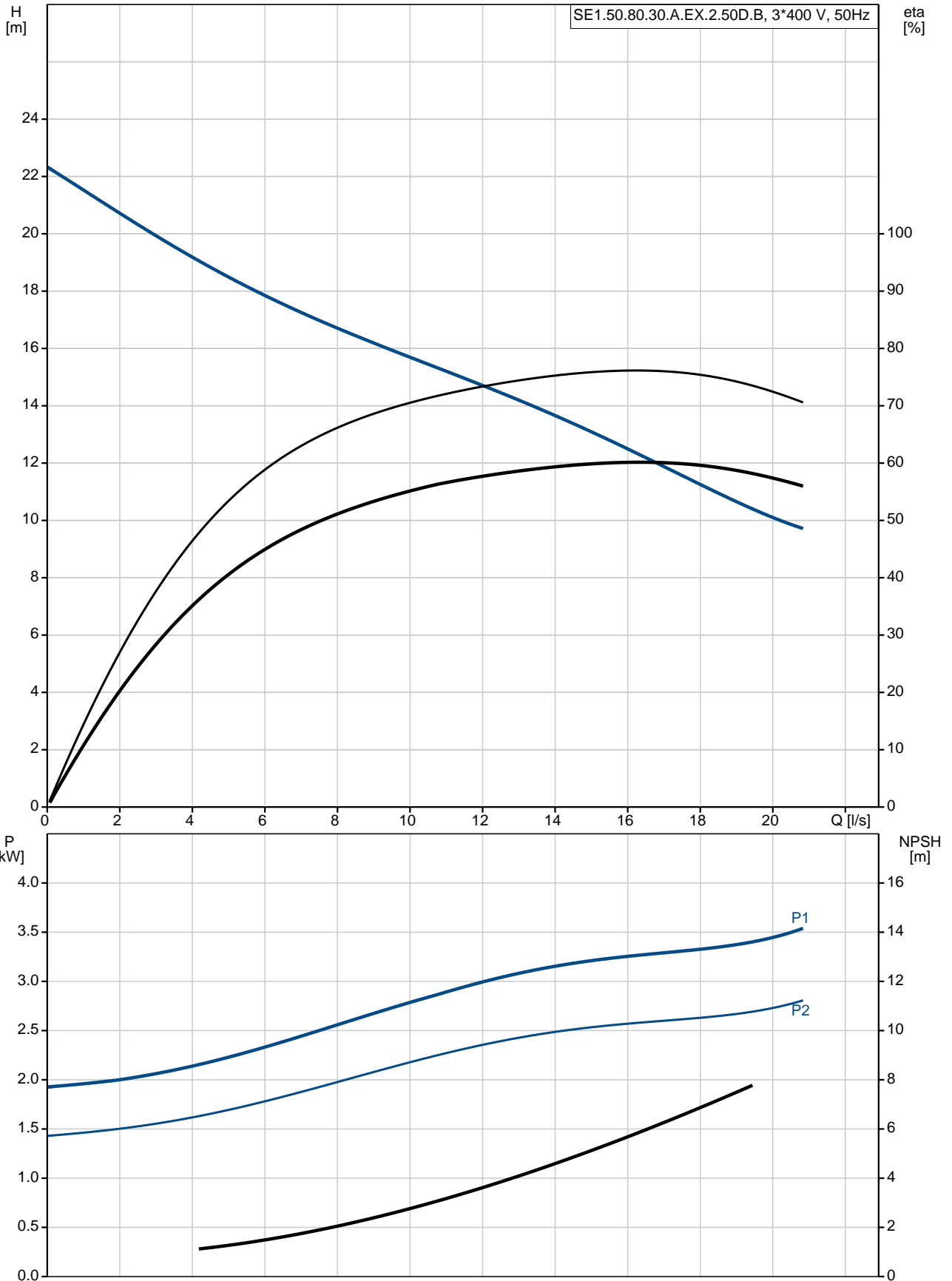


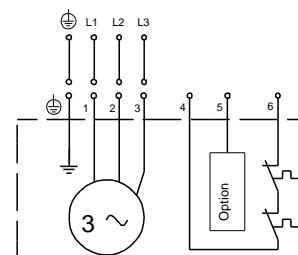
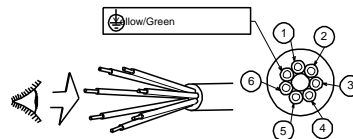
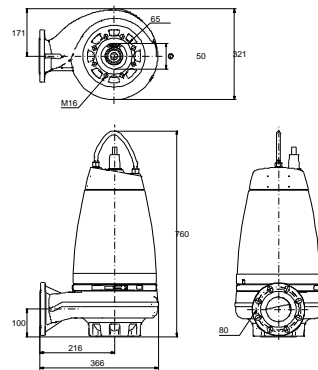
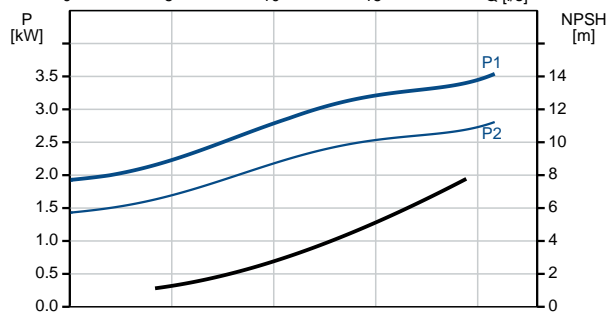
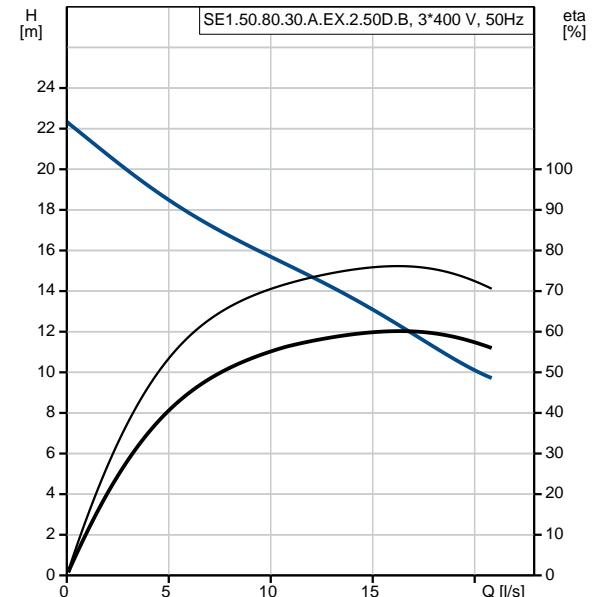
Qty.	Description																																																		
1	<p data-bbox="199 338 518 367"><b>SE1.50.80.30.A.EX.2.50D.B</b></p> <div data-bbox="226 383 560 663">  </div> <p data-bbox="592 645 1077 674">Note! Product picture may differ from actual product</p> <p data-bbox="199 678 470 707">Product No.: <a href="#">96177677</a></p> <p data-bbox="199 734 1465 790">Non-self-priming, single-stage, centrifugal pump designed for handling wastewater, process water and unscreened raw sewage.</p> <p data-bbox="199 795 1465 896">The pump is designed for intermittent and continuous operation. The liquidless and maintenance free cooling system ensures that the pump can be used for submerged or dry installation. The revolutionary S-tube® impeller provides free spherical passage of solids up to 50 mm and is suitable for wastewater with a dry matter content of up to 3 %.</p> <p data-bbox="199 907 1465 996">A unique stainless-steel clamp assembling system enables quick and easy disassembly of the pump from the motor unit for service and inspection. No special tools are required. Pipework connection is via a DIN flange. The pump is explosion-proof.</p> <p data-bbox="199 1025 311 1055"><b>Controls:</b></p> <table data-bbox="199 1059 821 1142"> <tr> <td>Moisture sensor:</td> <td>with moisture sensors</td> </tr> <tr> <td>Water-in-oil sensor:</td> <td>with water-in-oil sensor</td> </tr> <tr> <td>Temp. sensor:</td> <td>Y</td> </tr> </table> <p data-bbox="199 1171 295 1200"><b>Liquid:</b></p> <table data-bbox="199 1205 702 1265"> <tr> <td>Liquid temperature range:</td> <td>0 .. 40 °C</td> </tr> <tr> <td>Density:</td> <td>998.2 kg/m<sup>3</sup></td> </tr> </table> <p data-bbox="199 1294 327 1323"><b>Technical:</b></p> <table data-bbox="199 1328 813 1529"> <tr> <td>Type of impeller:</td> <td>S-TUBE</td> </tr> <tr> <td>Maximum particle size:</td> <td>50 mm</td> </tr> <tr> <td>Primary shaft seal:</td> <td>SIC/SIC</td> </tr> <tr> <td>Secondary shaft seal:</td> <td>CARBON/CERAMICS</td> </tr> <tr> <td>Max. hydraulic efficiency:</td> <td>71 %</td> </tr> <tr> <td>Approvals on nameplate:</td> <td>EN12050-2</td> </tr> <tr> <td>Curve tolerance:</td> <td>ISO9906:2012 3B2</td> </tr> </table> <p data-bbox="199 1559 327 1588"><b>Materials:</b></p> <table data-bbox="199 1592 813 1653"> <tr> <td>Pump housing:</td> <td>EN 1561 EN-GJL-250</td> </tr> <tr> <td>Impeller:</td> <td>Cast iron</td> </tr> </table> <p data-bbox="199 1682 343 1711"><b>Installation:</b></p> <table data-bbox="199 1715 638 1861"> <tr> <td>Maximum operating pressure:</td> <td>6 bar</td> </tr> <tr> <td>Flange standard:</td> <td>DIN</td> </tr> <tr> <td>Pump outlet:</td> <td>DN 80</td> </tr> <tr> <td>Pressure rating:</td> <td>PN 10</td> </tr> <tr> <td>Maximum installation depth:</td> <td>20 m</td> </tr> </table> <p data-bbox="199 1890 391 1919"><b>Electrical data:</b></p> <table data-bbox="199 1924 726 2101"> <tr> <td>Power input - P1:</td> <td>3.8 kW</td> </tr> <tr> <td>Rated power - P2:</td> <td>3 kW</td> </tr> <tr> <td>Mains frequency:</td> <td>50 Hz</td> </tr> <tr> <td>Rated voltage:</td> <td>3 x 380-415 V</td> </tr> <tr> <td>Voltage tolerance:</td> <td>+6/-10 %</td> </tr> <tr> <td>Max starts per. hour:</td> <td>20</td> </tr> </table>	Moisture sensor:	with moisture sensors	Water-in-oil sensor:	with water-in-oil sensor	Temp. sensor:	Y	Liquid temperature range:	0 .. 40 °C	Density:	998.2 kg/m <sup>3</sup>	Type of impeller:	S-TUBE	Maximum particle size:	50 mm	Primary shaft seal:	SIC/SIC	Secondary shaft seal:	CARBON/CERAMICS	Max. hydraulic efficiency:	71 %	Approvals on nameplate:	EN12050-2	Curve tolerance:	ISO9906:2012 3B2	Pump housing:	EN 1561 EN-GJL-250	Impeller:	Cast iron	Maximum operating pressure:	6 bar	Flange standard:	DIN	Pump outlet:	DN 80	Pressure rating:	PN 10	Maximum installation depth:	20 m	Power input - P1:	3.8 kW	Rated power - P2:	3 kW	Mains frequency:	50 Hz	Rated voltage:	3 x 380-415 V	Voltage tolerance:	+6/-10 %	Max starts per. hour:	20
Moisture sensor:	with moisture sensors																																																		
Water-in-oil sensor:	with water-in-oil sensor																																																		
Temp. sensor:	Y																																																		
Liquid temperature range:	0 .. 40 °C																																																		
Density:	998.2 kg/m <sup>3</sup>																																																		
Type of impeller:	S-TUBE																																																		
Maximum particle size:	50 mm																																																		
Primary shaft seal:	SIC/SIC																																																		
Secondary shaft seal:	CARBON/CERAMICS																																																		
Max. hydraulic efficiency:	71 %																																																		
Approvals on nameplate:	EN12050-2																																																		
Curve tolerance:	ISO9906:2012 3B2																																																		
Pump housing:	EN 1561 EN-GJL-250																																																		
Impeller:	Cast iron																																																		
Maximum operating pressure:	6 bar																																																		
Flange standard:	DIN																																																		
Pump outlet:	DN 80																																																		
Pressure rating:	PN 10																																																		
Maximum installation depth:	20 m																																																		
Power input - P1:	3.8 kW																																																		
Rated power - P2:	3 kW																																																		
Mains frequency:	50 Hz																																																		
Rated voltage:	3 x 380-415 V																																																		
Voltage tolerance:	+6/-10 %																																																		
Max starts per. hour:	20																																																		

Qty.	Description																																																										
	<table> <tr><td>Rated current:</td><td>6.8-6.5 A</td></tr> <tr><td>Rated current at 3/4 load:</td><td>5 A</td></tr> <tr><td>Rated current at 1/2 load:</td><td>3.9 A</td></tr> <tr><td>Starting current:</td><td>51 A</td></tr> <tr><td>Rated current at no load:</td><td>2.5 A</td></tr> <tr><td>Cos phi - power factor:</td><td>0.87</td></tr> <tr><td>Cos phi - p.f. at no load:</td><td>0.22</td></tr> <tr><td>Cos phi - p.f. at 3/4 load:</td><td>0.83</td></tr> <tr><td>Cos phi - p.f. at 1/2 load:</td><td>0.74</td></tr> <tr><td>Rated speed:</td><td>2910 rpm</td></tr> <tr><td>Locked-rotor torque:</td><td>23 Nm</td></tr> <tr><td>Breakdown torque:</td><td>33 Nm</td></tr> <tr><td>Moment of inertia:</td><td>0.012 kg m<sup>2</sup></td></tr> <tr><td>Motor efficiency at full load:</td><td>79.6 %</td></tr> <tr><td>Motor efficiency at 3/4 load:</td><td>78.5 %</td></tr> <tr><td>Motor efficiency at 1/2 load:</td><td>75.1 %</td></tr> <tr><td>Number of poles:</td><td>2</td></tr> <tr><td>Start. method:</td><td>direct-on-line</td></tr> <tr><td>Enclosure class (IEC 34-5):</td><td>IP68</td></tr> <tr><td>Insulation class (IEC 85):</td><td>F</td></tr> <tr><td>Explosion proof:</td><td>yes</td></tr> <tr><td>Ex-protection standard:</td><td>Ex cd mb IIB T4,T3</td></tr> <tr><td>Length of cable:</td><td>10 m</td></tr> <tr><td>Cable type:</td><td>LYNIFLEX</td></tr> <tr><td>Type of cable plug:</td><td>NO PLUG</td></tr> <tr><td colspan="2"><b>Others:</b></td></tr> <tr><td>Net weight:</td><td>92 kg</td></tr> <tr><td>Country of origin:</td><td>HU</td></tr> <tr><td>Custom tariff no.:</td><td>84137021</td></tr> </table>	Rated current:	6.8-6.5 A	Rated current at 3/4 load:	5 A	Rated current at 1/2 load:	3.9 A	Starting current:	51 A	Rated current at no load:	2.5 A	Cos phi - power factor:	0.87	Cos phi - p.f. at no load:	0.22	Cos phi - p.f. at 3/4 load:	0.83	Cos phi - p.f. at 1/2 load:	0.74	Rated speed:	2910 rpm	Locked-rotor torque:	23 Nm	Breakdown torque:	33 Nm	Moment of inertia:	0.012 kg m <sup>2</sup>	Motor efficiency at full load:	79.6 %	Motor efficiency at 3/4 load:	78.5 %	Motor efficiency at 1/2 load:	75.1 %	Number of poles:	2	Start. method:	direct-on-line	Enclosure class (IEC 34-5):	IP68	Insulation class (IEC 85):	F	Explosion proof:	yes	Ex-protection standard:	Ex cd mb IIB T4,T3	Length of cable:	10 m	Cable type:	LYNIFLEX	Type of cable plug:	NO PLUG	<b>Others:</b>		Net weight:	92 kg	Country of origin:	HU	Custom tariff no.:	84137021
Rated current:	6.8-6.5 A																																																										
Rated current at 3/4 load:	5 A																																																										
Rated current at 1/2 load:	3.9 A																																																										
Starting current:	51 A																																																										
Rated current at no load:	2.5 A																																																										
Cos phi - power factor:	0.87																																																										
Cos phi - p.f. at no load:	0.22																																																										
Cos phi - p.f. at 3/4 load:	0.83																																																										
Cos phi - p.f. at 1/2 load:	0.74																																																										
Rated speed:	2910 rpm																																																										
Locked-rotor torque:	23 Nm																																																										
Breakdown torque:	33 Nm																																																										
Moment of inertia:	0.012 kg m <sup>2</sup>																																																										
Motor efficiency at full load:	79.6 %																																																										
Motor efficiency at 3/4 load:	78.5 %																																																										
Motor efficiency at 1/2 load:	75.1 %																																																										
Number of poles:	2																																																										
Start. method:	direct-on-line																																																										
Enclosure class (IEC 34-5):	IP68																																																										
Insulation class (IEC 85):	F																																																										
Explosion proof:	yes																																																										
Ex-protection standard:	Ex cd mb IIB T4,T3																																																										
Length of cable:	10 m																																																										
Cable type:	LYNIFLEX																																																										
Type of cable plug:	NO PLUG																																																										
<b>Others:</b>																																																											
Net weight:	92 kg																																																										
Country of origin:	HU																																																										
Custom tariff no.:	84137021																																																										

## 96177677 SE1.50.80.30.A.EX.2.50D.B 50 Hz



Description	Value
<b>General information:</b>	
Product name:	SE1.50.80.30.A.EX.2.50D.B
Product No:	96177677
EAN number:	5700830442739
	5700830442739
Price:	3.786,00 GBP
<b>Technical:</b>	
Max flow:	19.4 l/s
Head max:	22.3 m
Type of impeller:	S-TUBE
Maximum particle size:	50 mm
Primary shaft seal:	SIC/SIC
Secondary shaft seal:	CARBON/CERAMICS
Max. hydraulic efficiency:	71 %
Approvals on nameplate:	EN12050-2
Curve tolerance:	ISO9906:2012 3B2
Cooling jacket:	with cooling jacket
<b>Materials:</b>	
Pump housing:	EN 1561 EN-GJL-250
Impeller:	Cast iron
<b>Installation:</b>	
Maximum operating pressure:	6 bar
Flange standard:	DIN
Pump outlet:	DN 80
Pressure rating:	PN 10
Maximum installation depth:	20 m
Inst dry/wet:	DRY/SUBMERGED
Installation:	horizontal or vertical
<b>Liquid:</b>	
Liquid temperature range:	0 .. 40 °C
Density:	998.2 kg/m <sup>3</sup>
<b>Electrical data:</b>	
Power input - P1:	3.8 kW
Rated power - P2:	3 kW
Mains frequency:	50 Hz
Rated voltage:	3 x 380-415 V
Voltage tolerance:	+6/-10 %
Max starts per. hour:	20
Rated current:	6.8-6.5 A
Rated current at 3/4 load:	5 A
Rated current at 1/2 load:	3.9 A
Starting current:	51 A
Rated current at no load:	2.5 A
Cos phi - power factor:	0.87
Cos phi - p.f. at no load:	0.22
Cos phi - p.f. at 3/4 load:	0.83
Cos phi - p.f. at 1/2 load:	0.74
Rated speed:	2910 rpm
Locked-rotor torque:	23 Nm
Breakdown torque:	33 Nm
Moment of inertia:	0.012 kg m <sup>2</sup>
Motor efficiency at full load:	79.6 %
Motor efficiency at 3/4 load:	78.5 %
Motor efficiency at 1/2 load:	75.1 %
Number of poles:	2
Start. method:	direct-on-line
Enclosure class (IEC 34-5):	IP68
Insulation class (IEC 85):	F





Company name:

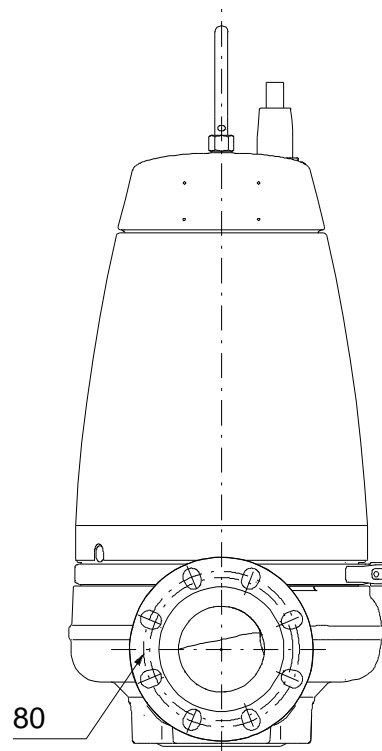
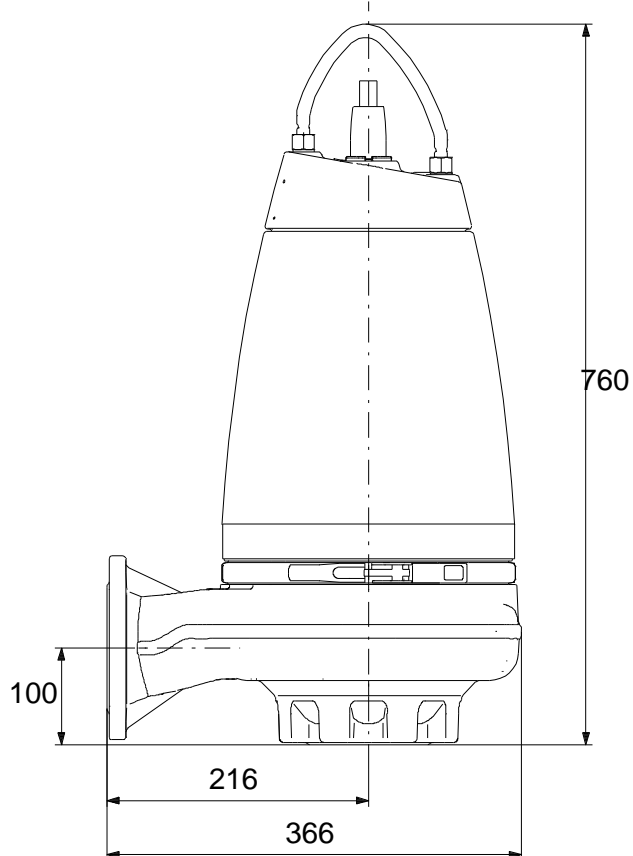
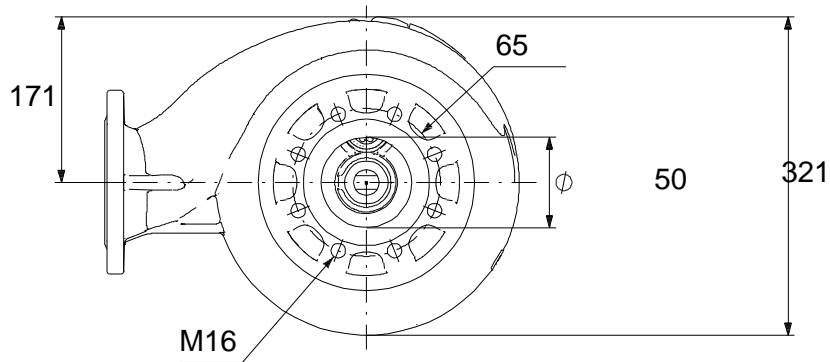
Created by:

Phone:

Date: 23/01/2020

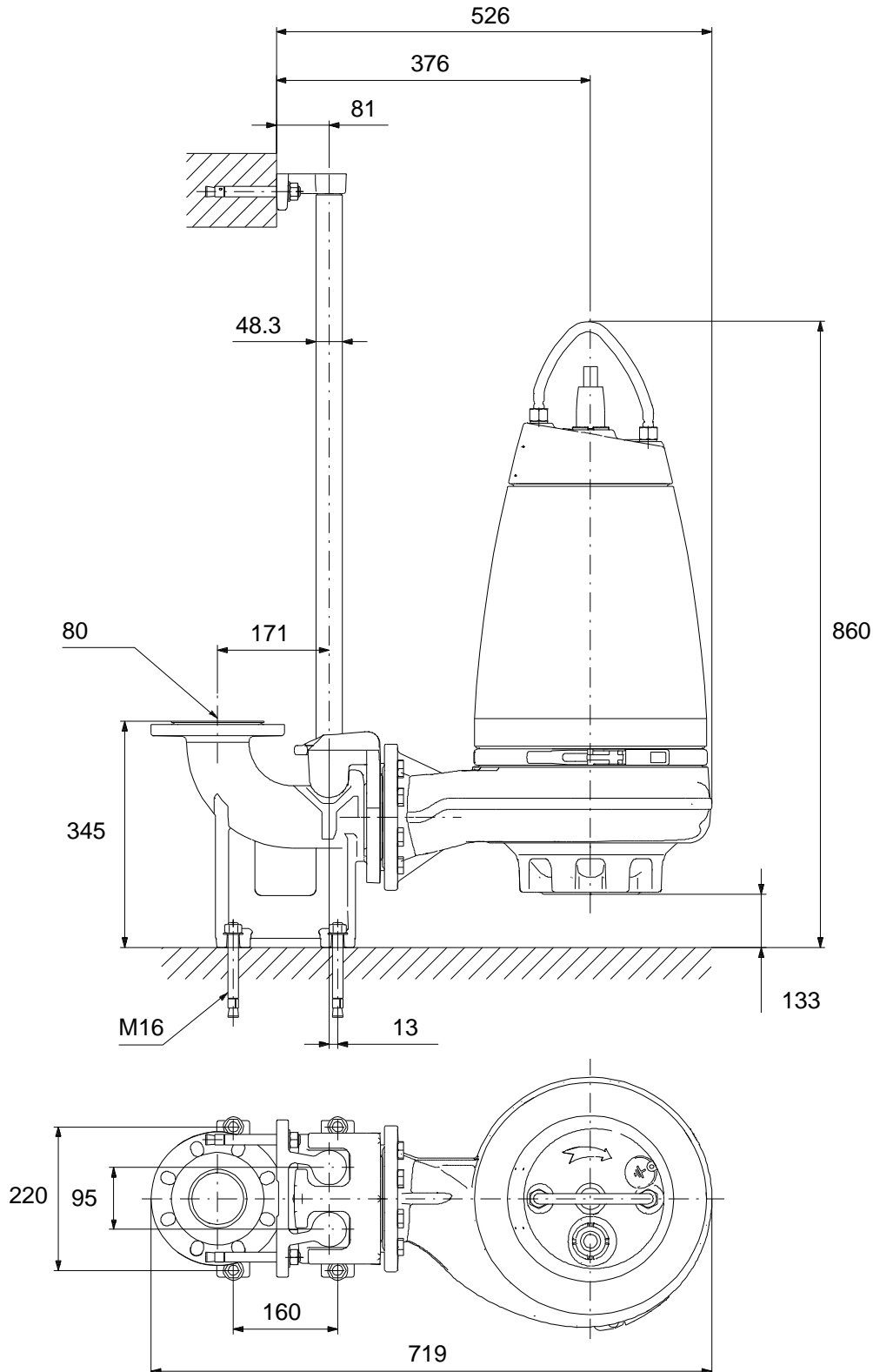
Description	Value
Explosion proof:	yes
Ex-protection standard:	Ex cd mb IIB T4,T3
Motor protec:	THERMAL SWITCH
Thermal protec:	internal
Length of cable:	10 m
Cable type:	LYNIFLEX
Type of cable plug:	NO PLUG
<b>Controls:</b>	
Control box:	not included
Moisture sensor:	with moisture sensors
Water-in-oil sensor:	with water-in-oil sensor
Temp. sensor:	Y
<b>Others:</b>	
Net weight:	92 kg
Country of origin:	HU
Custom tariff no.:	84137021

## 96177677 SE1.50.80.30.A.EX.2.50D.B 50 Hz



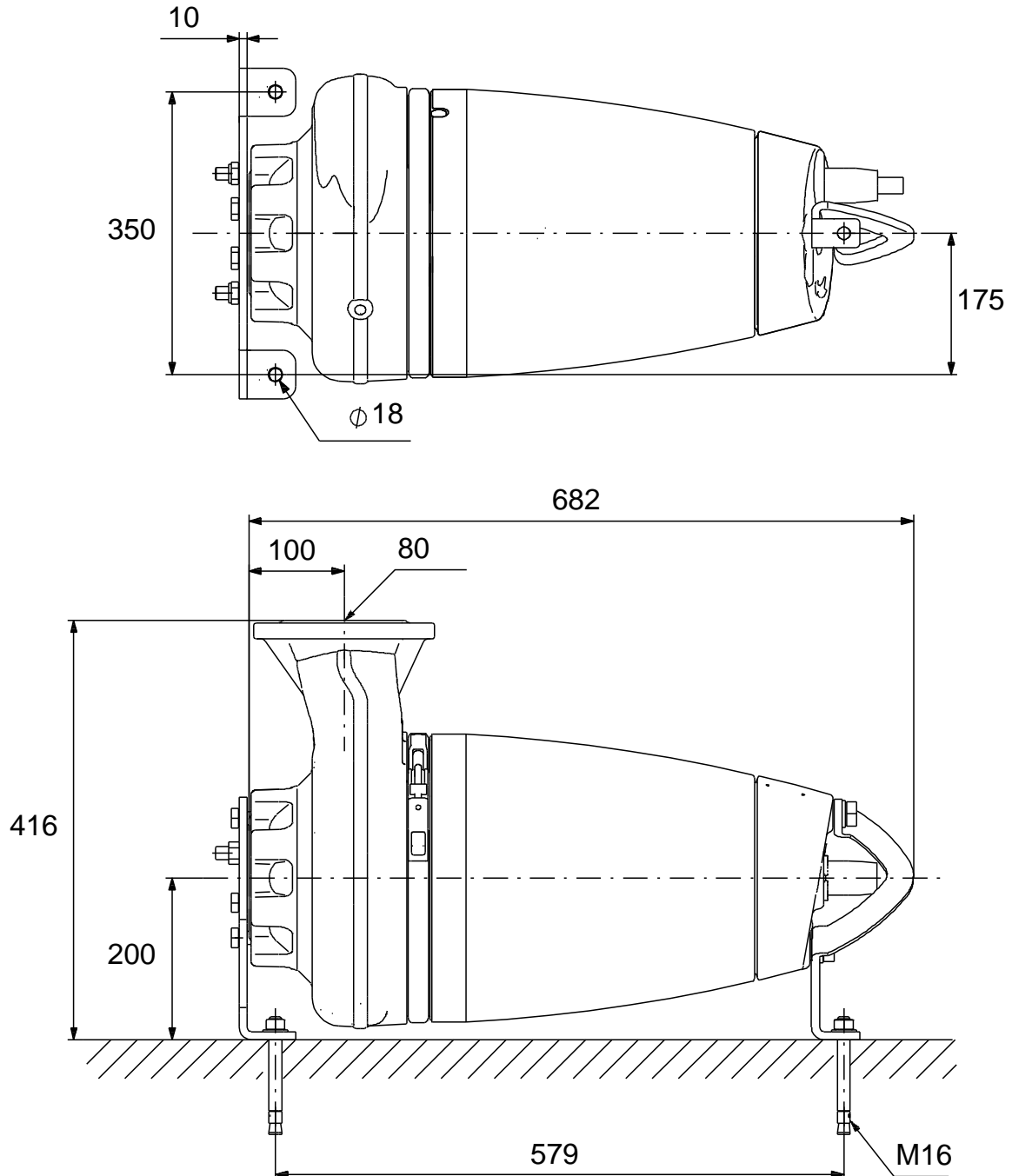
Note! All units are in [mm] unless others are stated.  
Disclaimer: This simplified dimensional drawing does not show all details.

## 96177677 SE1.50.80.30.A.EX.2.50D.B 50 Hz



Note! All units are in [mm] unless others are stated.  
Disclaimer: This simplified dimensional drawing does not show all details.

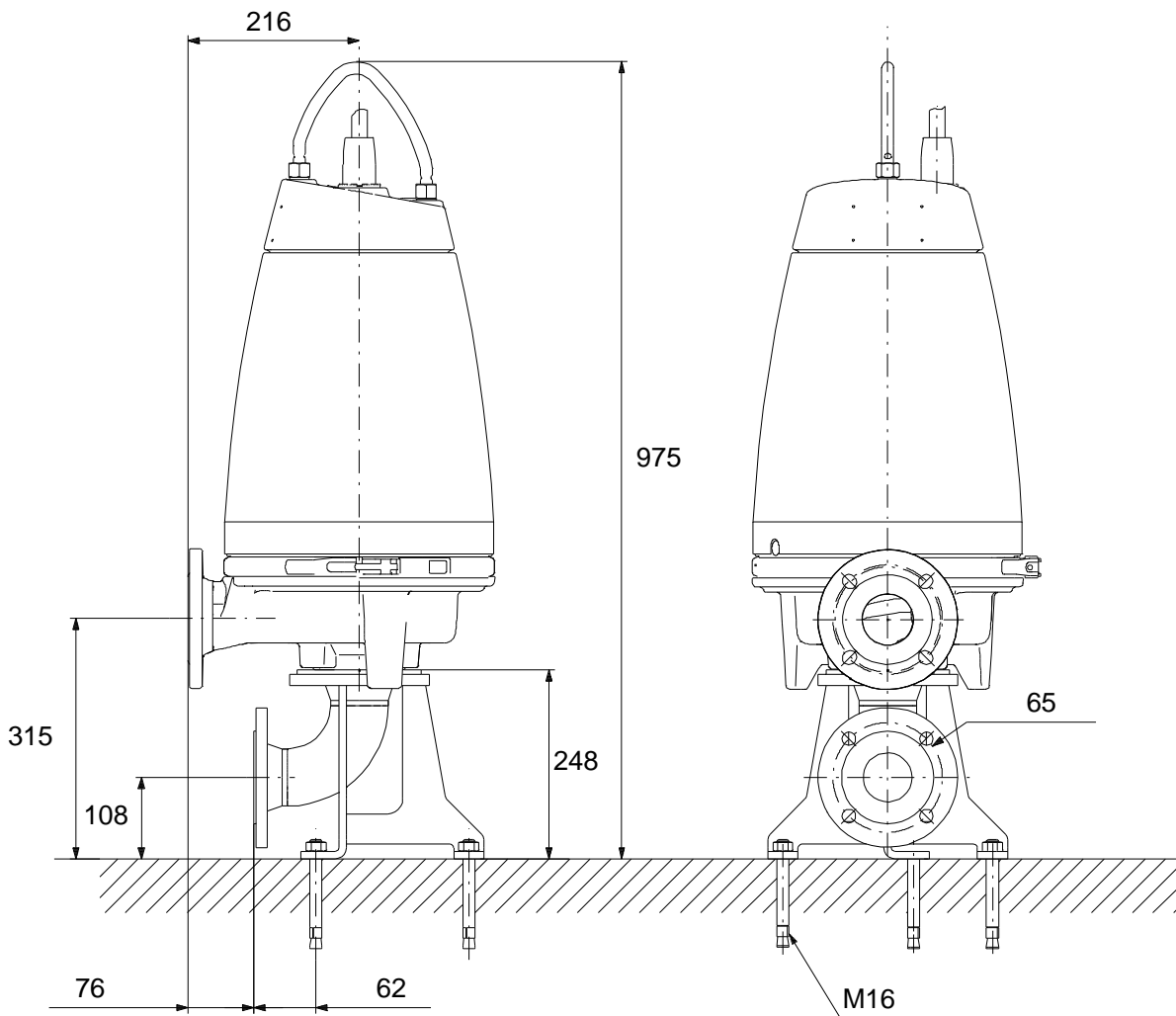
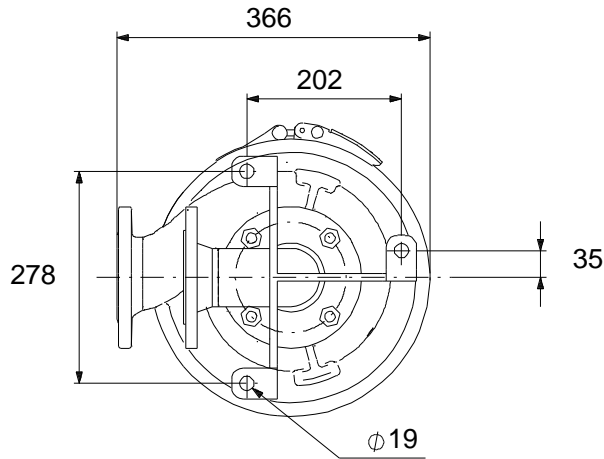
## 96177677 SE1.50.80.30.A.EX.2.50D.B 50 Hz



Note! All units are in [mm] unless others are stated.  
Disclaimer: This simplified dimensional drawing does not show all details.

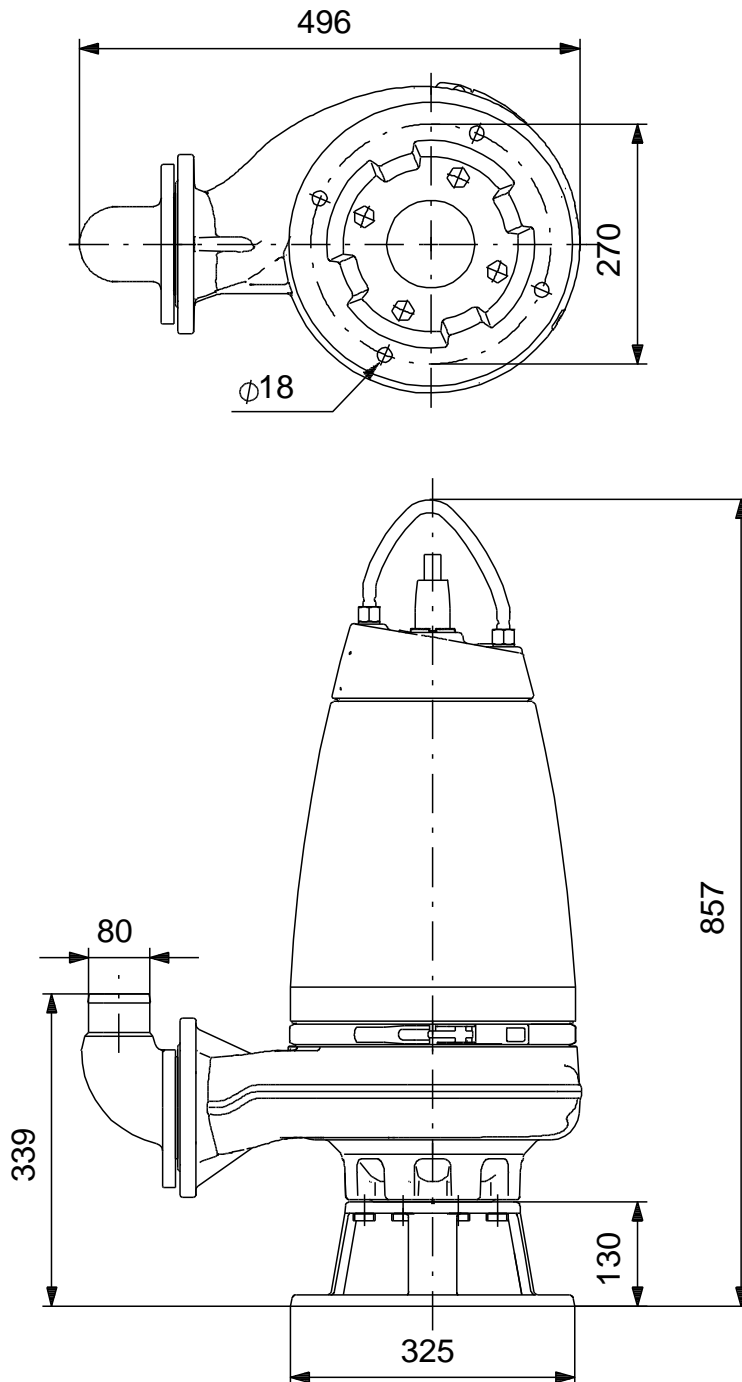


## 96177677 SE1.50.80.30.A.EX.2.50D.B 50 Hz



Note! All units are in [mm] unless others are stated.  
Disclaimer: This simplified dimensional drawing does not show all details.

## 96177677 SE1.50.80.30.A.EX.2.50D.B 50 Hz



Note! All units are in [mm] unless others are stated.  
Disclaimer: This simplified dimensional drawing does not show all details.