
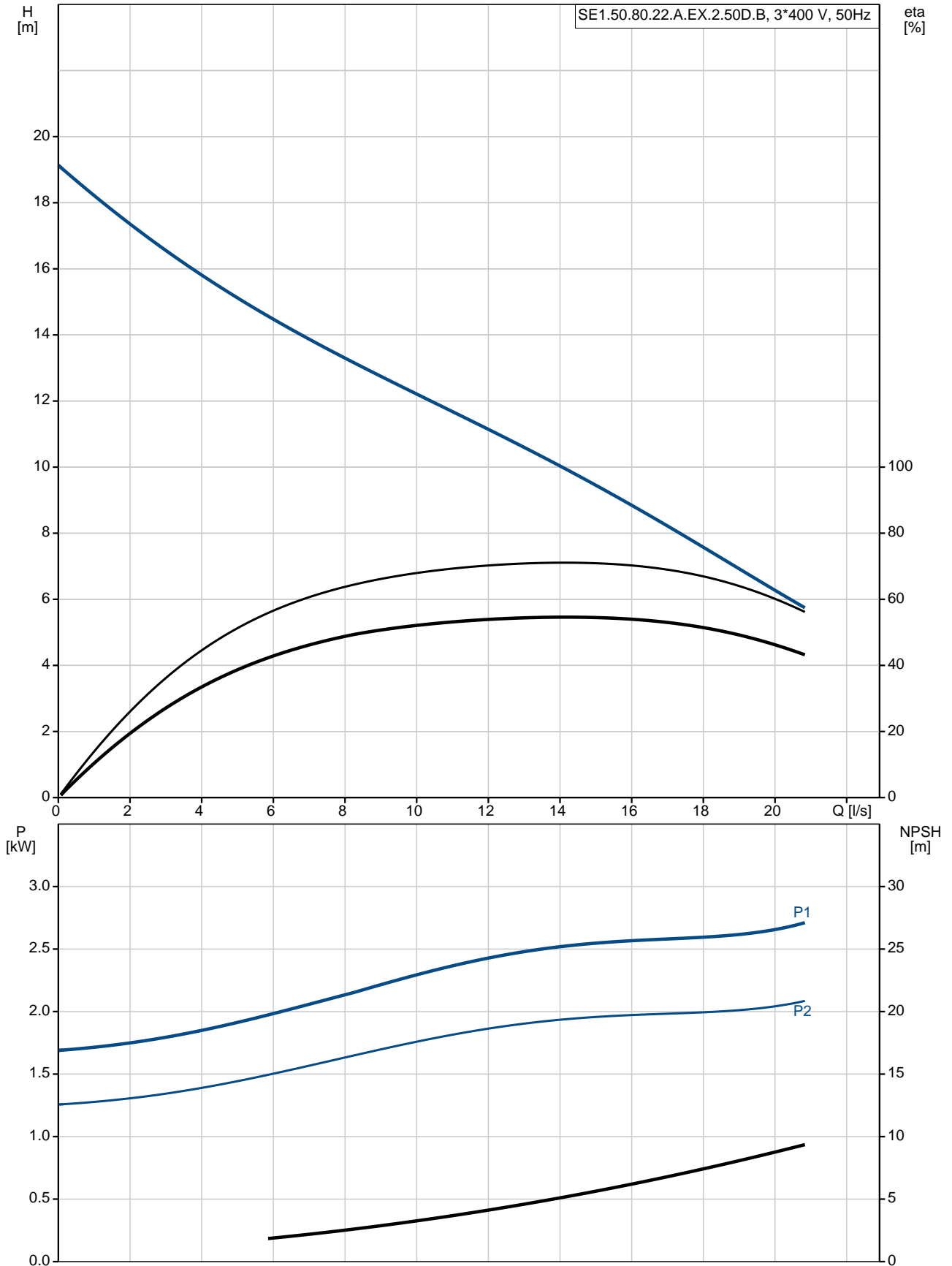


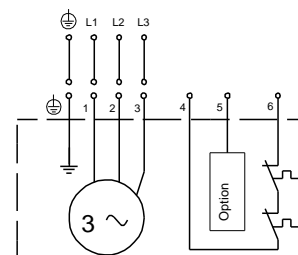
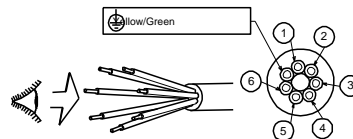
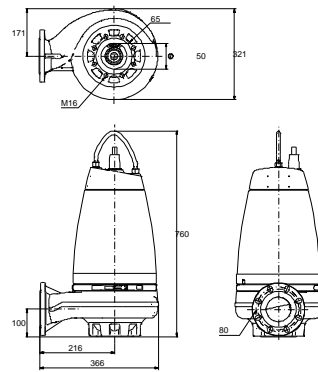
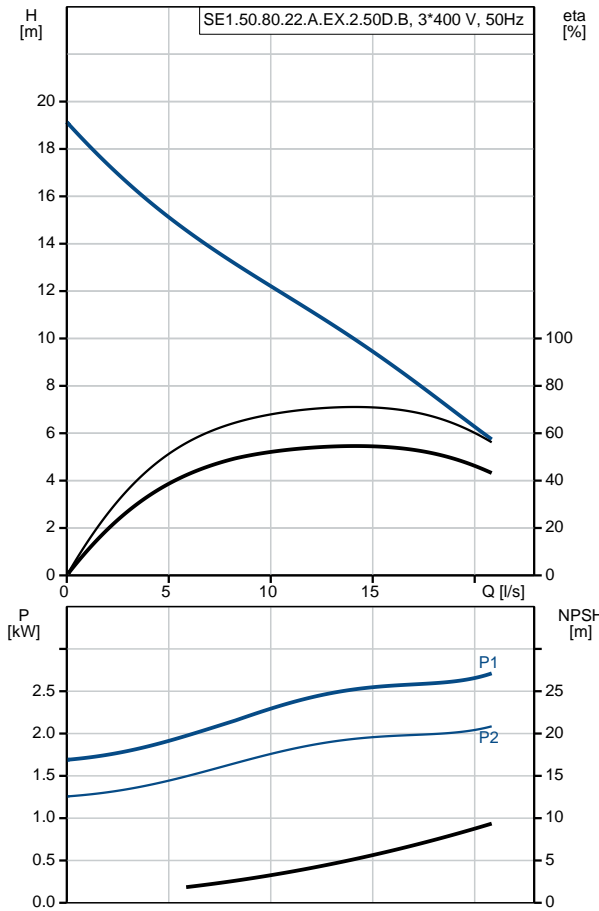
Qty.	Description																																																		
1	<p data-bbox="204 342 517 365">SE1.50.80.22.A.EX.2.50D.B</p> <div data-bbox="228 383 560 663">  </div> <p data-bbox="595 645 1075 667">Note! Product picture may differ from actual product</p> <p data-bbox="204 678 469 701">Product No.: 96177676</p> <p data-bbox="204 734 1460 790">Non-self-priming, single-stage, centrifugal pump designed for handling wastewater, process water and unscreened raw sewage.</p> <p data-bbox="204 797 1460 898">The pump is designed for intermittent and continuous operation. The liquidless and maintenance free cooling system ensures that the pump can be used for submerged or dry installation. The revolutionary S-tube® impeller provides free spherical passage of solids up to 50 mm and is suitable for wastewater with a dry matter content of up to 3 %.</p> <p data-bbox="204 909 1460 987">A unique stainless-steel clamp assembling system enables quick and easy disassembly of the pump from the motor unit for service and inspection. No special tools are required. Pipework connection is via a DIN flange. The pump is explosion-proof.</p> <p data-bbox="204 1021 316 1043">Controls:</p> <table data-bbox="204 1055 820 1133"> <tr> <td>Moisture sensor:</td> <td>with moisture sensors</td> </tr> <tr> <td>Water-in-oil sensor:</td> <td>with water-in-oil sensor</td> </tr> <tr> <td>Temp. sensor:</td> <td>Y</td> </tr> </table> <p data-bbox="204 1171 288 1193">Liquid:</p> <table data-bbox="204 1205 699 1261"> <tr> <td>Liquid temperature range:</td> <td>0 .. 40 °C</td> </tr> <tr> <td>Density:</td> <td>998.2 kg/m³</td> </tr> </table> <p data-bbox="204 1294 325 1317">Technical:</p> <table data-bbox="204 1328 810 1529"> <tr> <td>Type of impeller:</td> <td>S-TUBE</td> </tr> <tr> <td>Maximum particle size:</td> <td>50 mm</td> </tr> <tr> <td>Primary shaft seal:</td> <td>SIC/SIC</td> </tr> <tr> <td>Secondary shaft seal:</td> <td>CARBON/CERAMICS</td> </tr> <tr> <td>Max. hydraulic efficiency:</td> <td>66 %</td> </tr> <tr> <td>Approvals on nameplate:</td> <td>EN12050-2</td> </tr> <tr> <td>Curve tolerance:</td> <td>ISO9906:2012 3B2</td> </tr> </table> <p data-bbox="204 1563 320 1585">Materials:</p> <table data-bbox="204 1597 810 1653"> <tr> <td>Pump housing:</td> <td>EN 1561 EN-GJL-250</td> </tr> <tr> <td>Impeller:</td> <td>Cast iron</td> </tr> </table> <p data-bbox="204 1686 341 1709">Installation:</p> <table data-bbox="204 1720 639 1854"> <tr> <td>Maximum operating pressure:</td> <td>6 bar</td> </tr> <tr> <td>Flange standard:</td> <td>DIN</td> </tr> <tr> <td>Pump outlet:</td> <td>DN 80</td> </tr> <tr> <td>Pressure rating:</td> <td>PN 10</td> </tr> <tr> <td>Maximum installation depth:</td> <td>20 m</td> </tr> </table> <p data-bbox="204 1888 379 1910">Electrical data:</p> <table data-bbox="204 1921 719 2089"> <tr> <td>Power input - P1:</td> <td>2.8 kW</td> </tr> <tr> <td>Rated power - P2:</td> <td>2.2 kW</td> </tr> <tr> <td>Mains frequency:</td> <td>50 Hz</td> </tr> <tr> <td>Rated voltage:</td> <td>3 x 380-415 V</td> </tr> <tr> <td>Voltage tolerance:</td> <td>+6/-10 %</td> </tr> <tr> <td>Max starts per. hour:</td> <td>20</td> </tr> </table>	Moisture sensor:	with moisture sensors	Water-in-oil sensor:	with water-in-oil sensor	Temp. sensor:	Y	Liquid temperature range:	0 .. 40 °C	Density:	998.2 kg/m ³	Type of impeller:	S-TUBE	Maximum particle size:	50 mm	Primary shaft seal:	SIC/SIC	Secondary shaft seal:	CARBON/CERAMICS	Max. hydraulic efficiency:	66 %	Approvals on nameplate:	EN12050-2	Curve tolerance:	ISO9906:2012 3B2	Pump housing:	EN 1561 EN-GJL-250	Impeller:	Cast iron	Maximum operating pressure:	6 bar	Flange standard:	DIN	Pump outlet:	DN 80	Pressure rating:	PN 10	Maximum installation depth:	20 m	Power input - P1:	2.8 kW	Rated power - P2:	2.2 kW	Mains frequency:	50 Hz	Rated voltage:	3 x 380-415 V	Voltage tolerance:	+6/-10 %	Max starts per. hour:	20
Moisture sensor:	with moisture sensors																																																		
Water-in-oil sensor:	with water-in-oil sensor																																																		
Temp. sensor:	Y																																																		
Liquid temperature range:	0 .. 40 °C																																																		
Density:	998.2 kg/m ³																																																		
Type of impeller:	S-TUBE																																																		
Maximum particle size:	50 mm																																																		
Primary shaft seal:	SIC/SIC																																																		
Secondary shaft seal:	CARBON/CERAMICS																																																		
Max. hydraulic efficiency:	66 %																																																		
Approvals on nameplate:	EN12050-2																																																		
Curve tolerance:	ISO9906:2012 3B2																																																		
Pump housing:	EN 1561 EN-GJL-250																																																		
Impeller:	Cast iron																																																		
Maximum operating pressure:	6 bar																																																		
Flange standard:	DIN																																																		
Pump outlet:	DN 80																																																		
Pressure rating:	PN 10																																																		
Maximum installation depth:	20 m																																																		
Power input - P1:	2.8 kW																																																		
Rated power - P2:	2.2 kW																																																		
Mains frequency:	50 Hz																																																		
Rated voltage:	3 x 380-415 V																																																		
Voltage tolerance:	+6/-10 %																																																		
Max starts per. hour:	20																																																		

Qty.	Description
	Rated current: 5.1-5.0 A
	Rated current at 3/4 load: 3.8 A
	Rated current at 1/2 load: 3 A
	Starting current: 37 A
	Rated current at no load: 2 A
	Cos phi - power factor: 0.86
	Cos phi - p.f. at no load: 0.21
	Cos phi - p.f. at 3/4 load: 0.81
	Cos phi - p.f. at 1/2 load: 0.72
	Rated speed: 2895 rpm
	Locked-rotor torque: 18 Nm
	Breakdown torque: 23 Nm
	Moment of inertia: 0.0095 kg m ²
	Motor efficiency at full load: 77 %
	Motor efficiency at 3/4 load: 76.6 %
	Motor efficiency at 1/2 load: 73.5 %
	Number of poles: 2
	Start. method: direct-on-line
	Enclosure class (IEC 34-5): IP68
	Insulation class (IEC 85): F
	Explosion proof: yes
	Ex-protection standard: Ex cd mb IIB T4,T3
	Length of cable: 10 m
	Cable type: LYNIFLEX
	Type of cable plug: NO PLUG
	Others:
	Net weight: 87 kg
	Country of origin: HU
	Custom tariff no.: 84137021

96177676 SE1.50.80.22.A.EX.2.50D.B 50 Hz



Description	Value
General information:	
Product name:	SE1.50.80.22.A.EX.2.50D.B
Product No:	96177676
EAN number:	5700830442722
	5700830442722
Price:	3.544,00 GBP
Technical:	
Max flow:	20.8 l/s
Head max:	18.1 m
Type of impeller:	S-TUBE
Maximum particle size:	50 mm
Primary shaft seal:	SIC/SIC
Secondary shaft seal:	CARBON/CERAMICS
Max. hydraulic efficiency:	66 %
Approvals on nameplate:	EN12050-2
Curve tolerance:	ISO9906:2012 3B2
Cooling jacket:	with cooling jacket
Materials:	
Pump housing:	EN 1561 EN-GJL-250
Impeller:	Cast iron
Installation:	
Maximum operating pressure:	6 bar
Flange standard:	DIN
Pump outlet:	DN 80
Pressure rating:	PN 10
Maximum installation depth:	20 m
Inst dry/wet:	DRY/SUBMERGED
Installation:	horizontal or vertical
Liquid:	
Liquid temperature range:	0 .. 40 °C
Density:	998.2 kg/m ³
Electrical data:	
Power input - P1:	2.8 kW
Rated power - P2:	2.2 kW
Mains frequency:	50 Hz
Rated voltage:	3 x 380-415 V
Voltage tolerance:	+6/-10 %
Max starts per. hour:	20
Rated current:	5.1-5.0 A
Rated current at 3/4 load:	3.8 A
Rated current at 1/2 load:	3 A
Starting current:	37 A
Rated current at no load:	2 A
Cos phi - power factor:	0.86
Cos phi - p.f. at no load:	0.21
Cos phi - p.f. at 3/4 load:	0.81
Cos phi - p.f. at 1/2 load:	0.72
Rated speed:	2895 rpm
Locked-rotor torque:	18 Nm
Breakdown torque:	23 Nm
Moment of inertia:	0.0095 kg m ²
Motor efficiency at full load:	77 %
Motor efficiency at 3/4 load:	76.6 %
Motor efficiency at 1/2 load:	73.5 %
Number of poles:	2
Start. method:	direct-on-line
Enclosure class (IEC 34-5):	IP68
Insulation class (IEC 85):	F





Company name:

Created by:

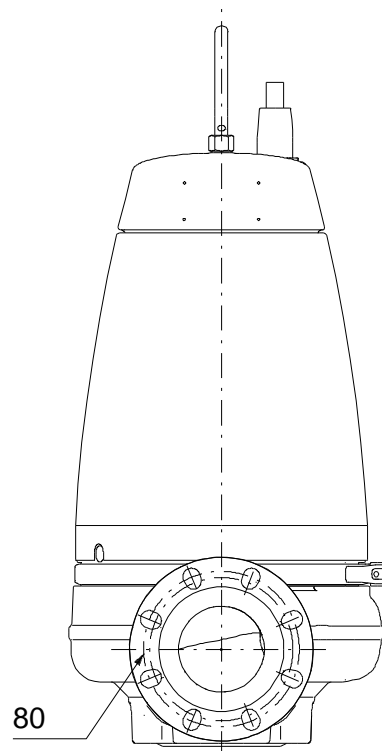
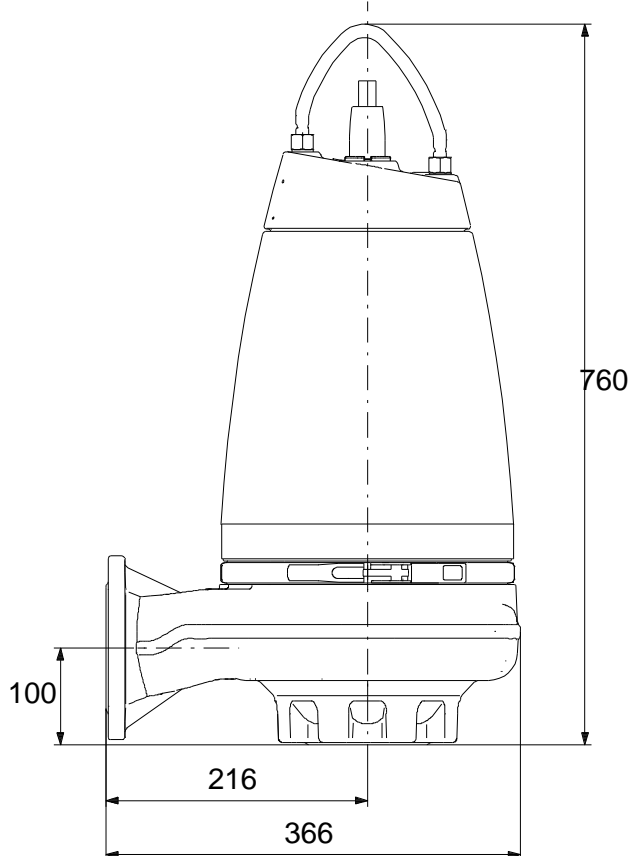
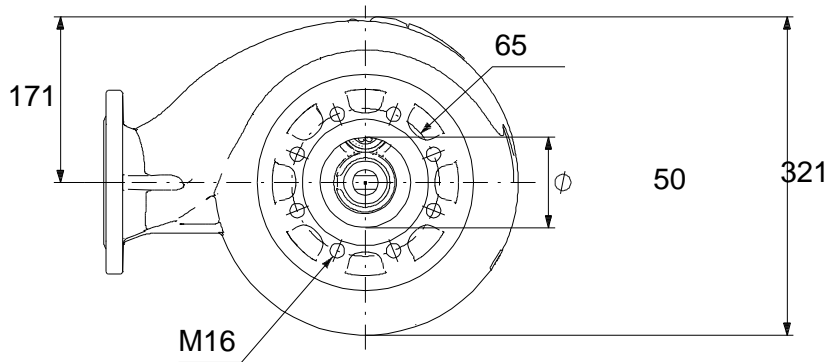
Phone:

Date:

23/01/2020

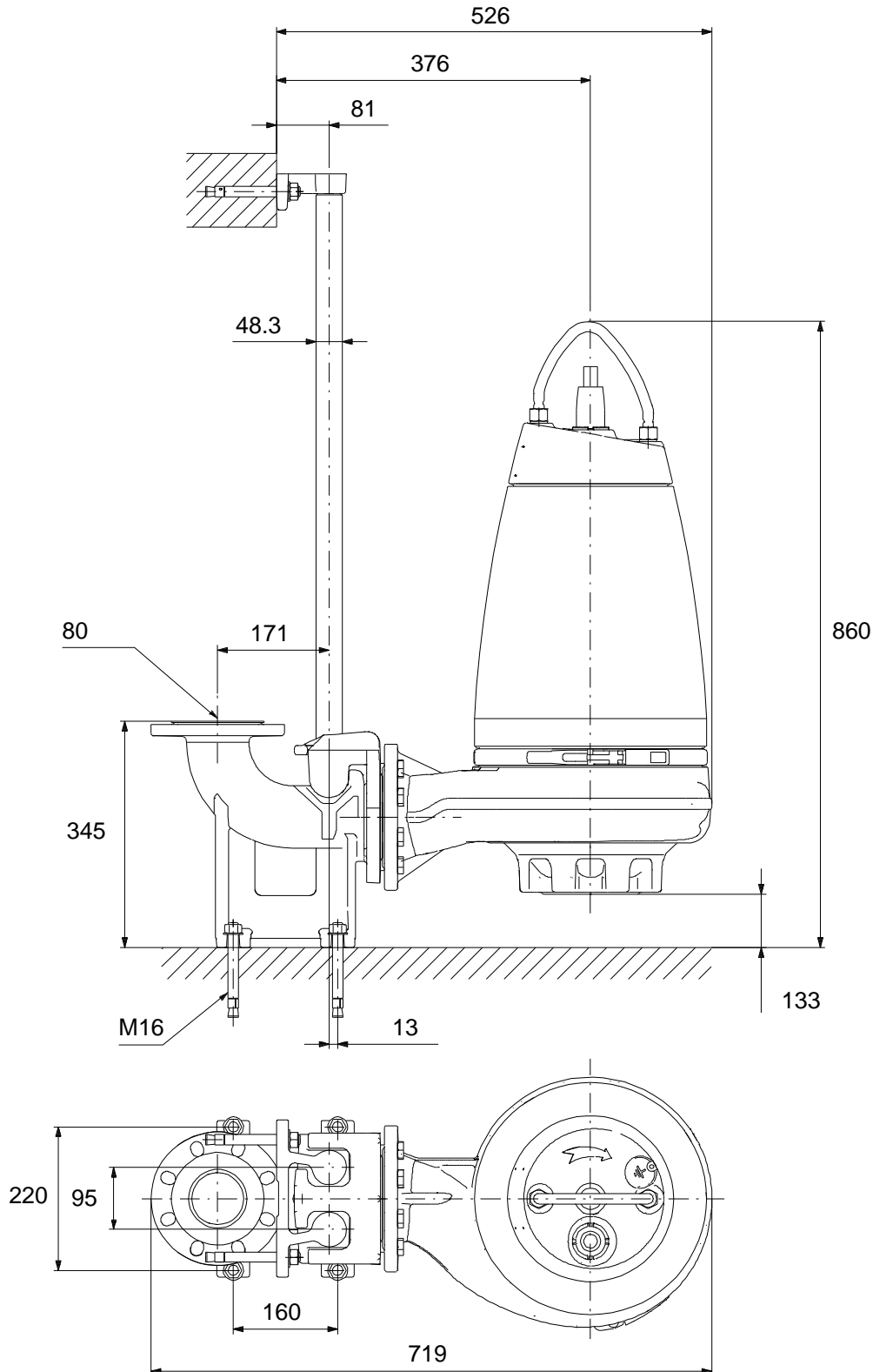
Description	Value
Explosion proof:	yes
Ex-protection standard:	Ex cd mb IIB T4,T3
Motor protec:	THERMAL SWITCH
Thermal protec:	internal
Length of cable:	10 m
Cable type:	LYNIFLEX
Type of cable plug:	NO PLUG
Controls:	
Control box:	not included
Moisture sensor:	with moisture sensors
Water-in-oil sensor:	with water-in-oil sensor
Temp. sensor:	Y
Others:	
Net weight:	87 kg
Country of origin:	HU
Custom tariff no.:	84137021

96177676 SE1.50.80.22.A.EX.2.50D.B 50 Hz



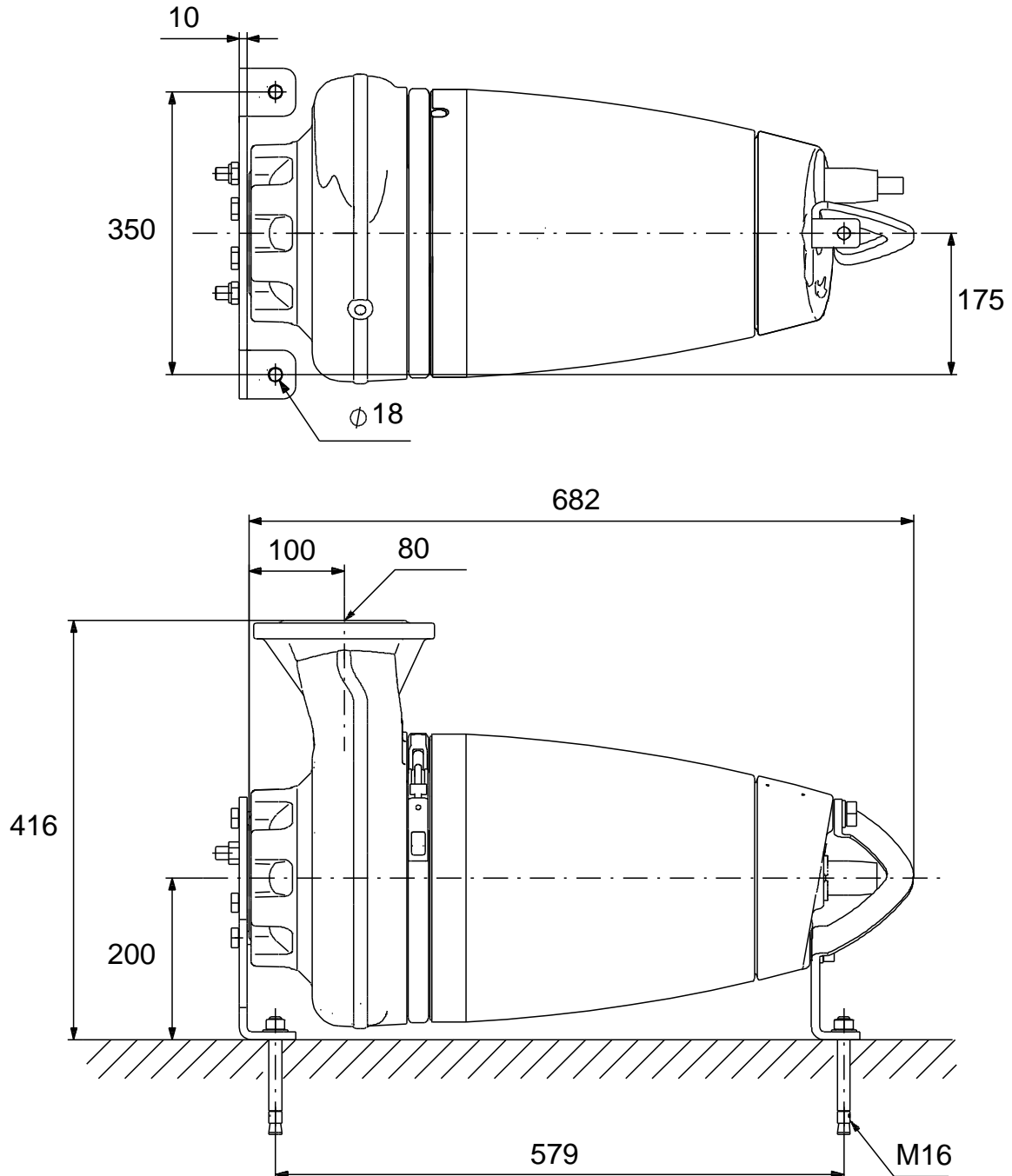
Note! All units are in [mm] unless others are stated.
Disclaimer: This simplified dimensional drawing does not show all details.

96177676 SE1.50.80.22.A.EX.2.50D.B 50 Hz



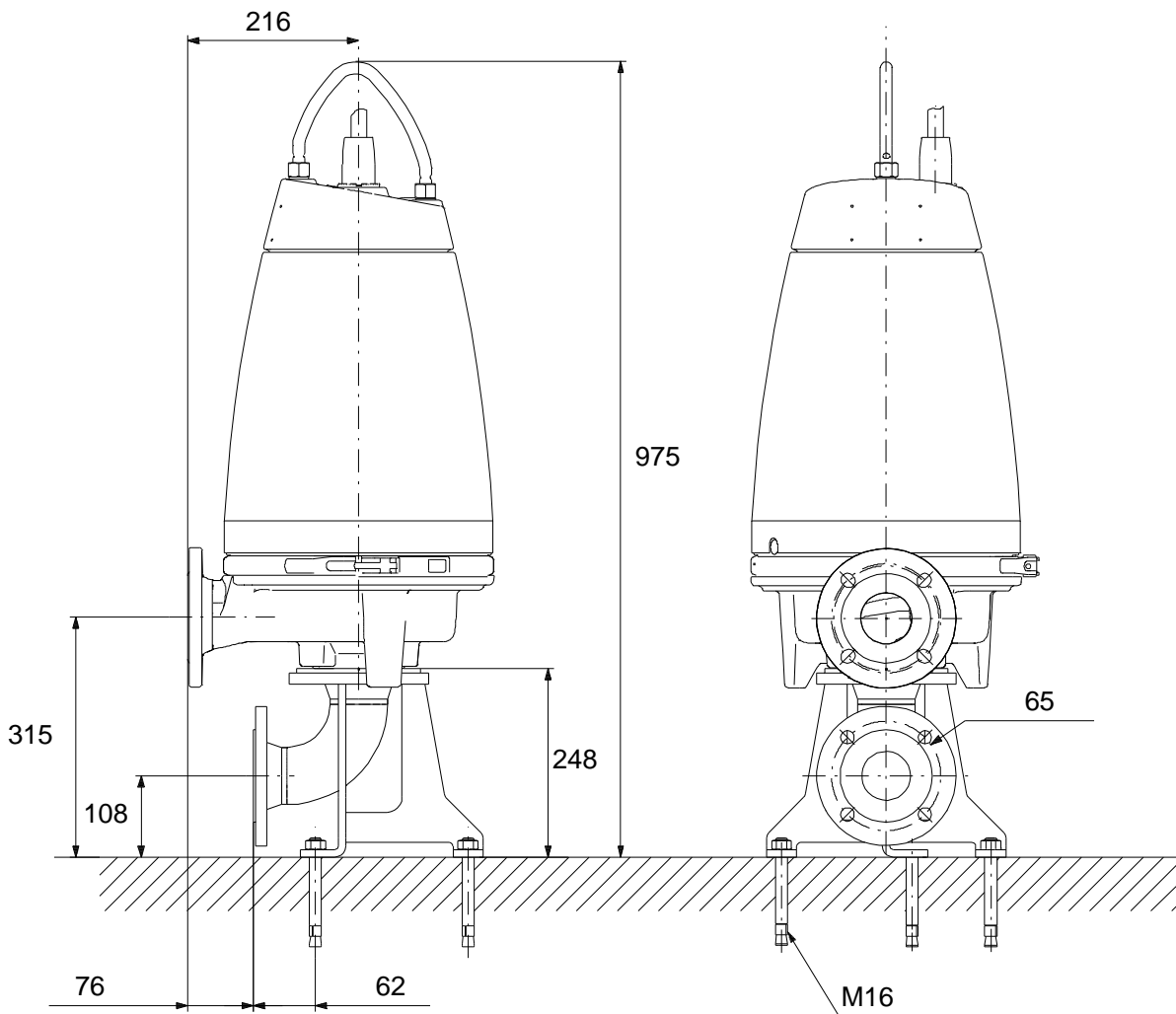
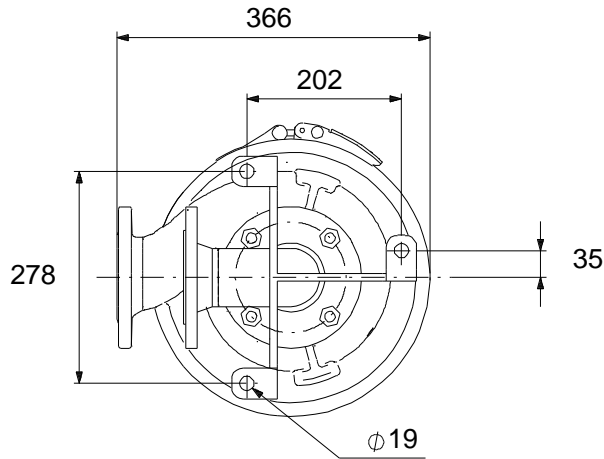
Note! All units are in [mm] unless others are stated.
Disclaimer: This simplified dimensional drawing does not show all details.

96177676 SE1.50.80.22.A.EX.2.50D.B 50 Hz



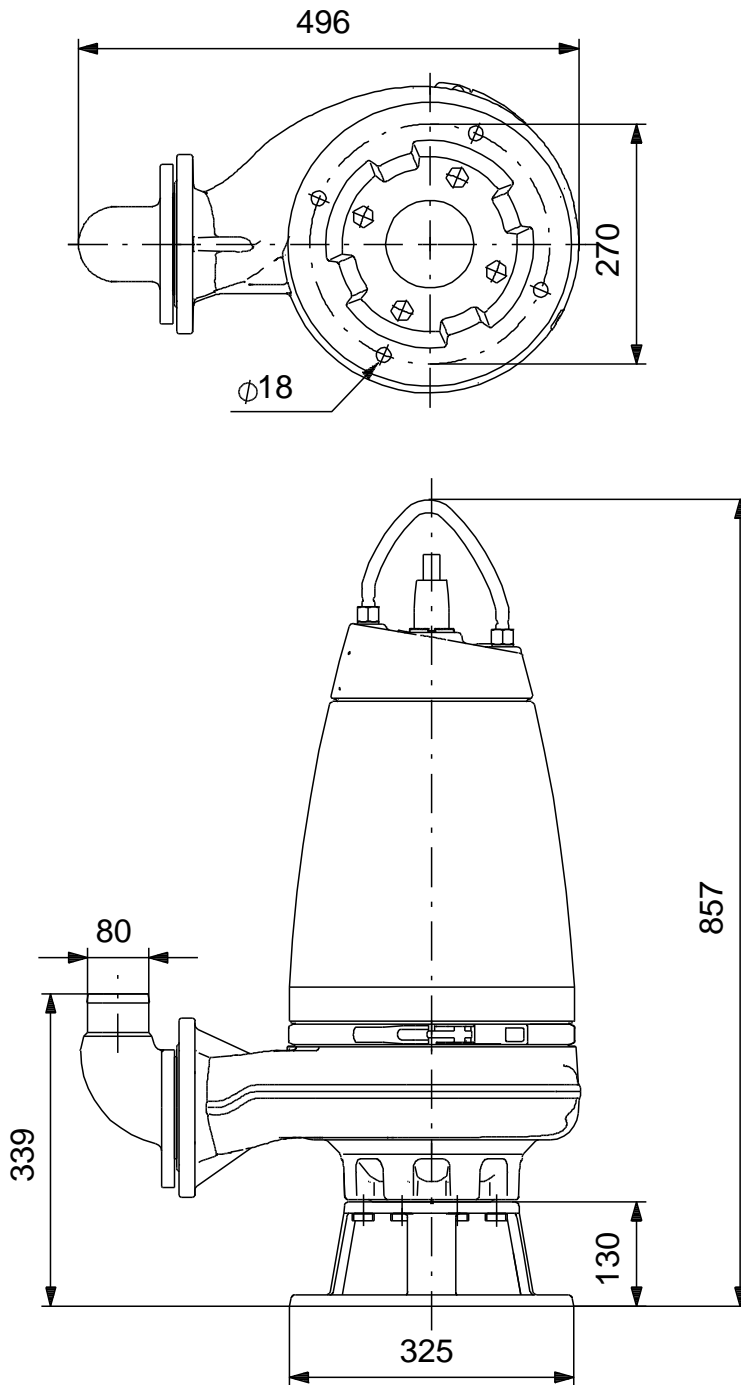
Note! All units are in [mm] unless others are stated.
Disclaimer: This simplified dimensional drawing does not show all details.

96177676 SE1.50.80.22.A.EX.2.50D.B 50 Hz



Note! All units are in [mm] unless others are stated.
Disclaimer: This simplified dimensional drawing does not show all details.

96177676 SE1.50.80.22.A.EX.2.50D.B 50 Hz



Note! All units are in [mm] unless others are stated.
Disclaimer: This simplified dimensional drawing does not show all details.