
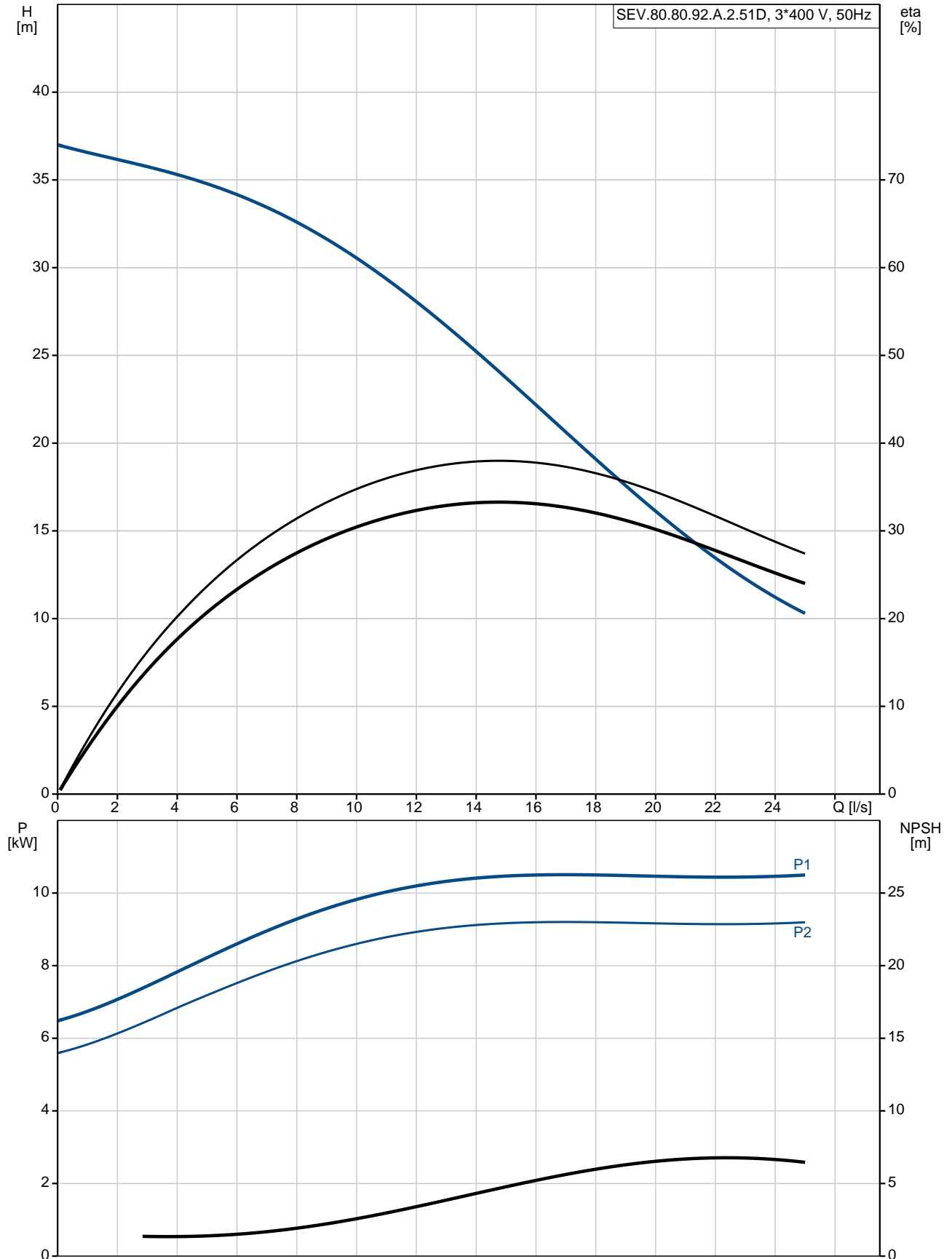


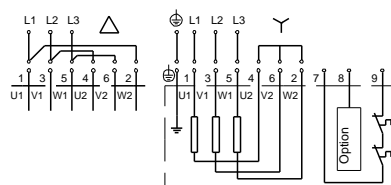
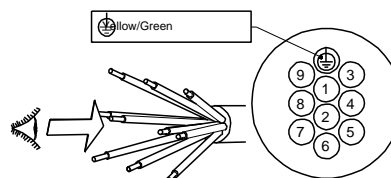
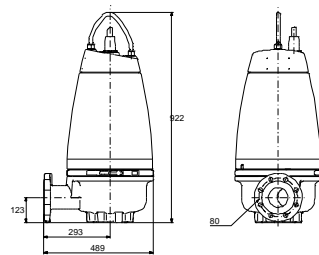
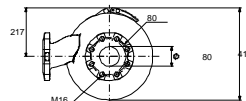
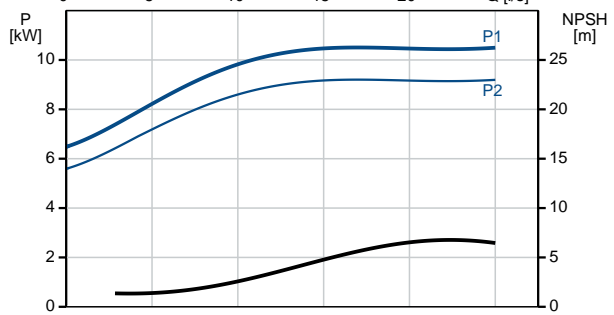
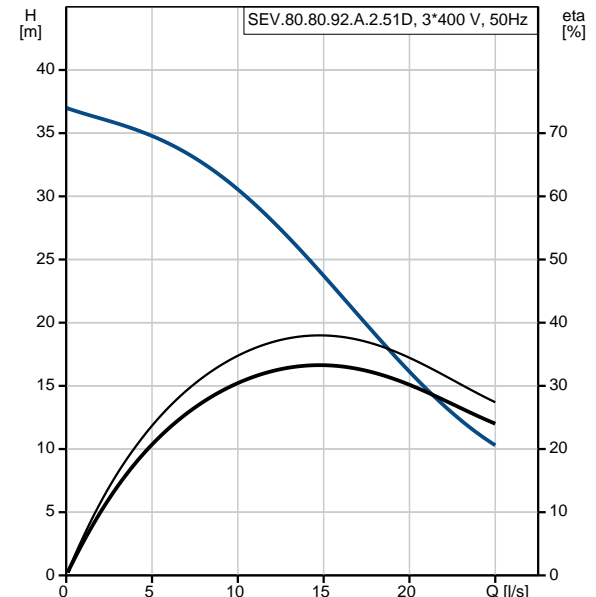
Qty.	Description																																																		
1	<p data-bbox="199 336 454 369">SEV.80.80.92.A.2.51D</p> <div data-bbox="223 380 558 660">  </div> <p data-bbox="590 638 1077 672">Note! Product picture may differ from actual product</p> <p data-bbox="199 672 470 705">Product No.: 96177667</p> <p data-bbox="199 728 1460 784">Non-self-priming, single-stage, centrifugal pump designed for handling wastewater, process water and unscreened raw sewage.</p> <p data-bbox="199 784 1460 896">The pump is designed for intermittent and continuous operation. The liquidless and maintenance free cooling system ensures that the pump can be used for submerged or dry installation. The efficient SuperVortex impeller provides passage of long fibres and solids up to 80 mm and is suitable for wastewater with a dry matter content of up to 5 %.</p> <p data-bbox="199 896 1460 963">A unique stainless-steel clamp assembling system enables quick and easy disassembly of the pump from the motor unit for service and inspection. No special tools are required. Pipework connection is via a DIN flange.</p> <p data-bbox="199 1019 319 1052">Controls:</p> <table data-bbox="199 1052 821 1142"> <tr> <td>Moisture sensor:</td> <td>with moisture sensors</td> </tr> <tr> <td>Water-in-oil sensor:</td> <td>with water-in-oil sensor</td> </tr> <tr> <td>Temp. sensor:</td> <td>Y</td> </tr> </table> <p data-bbox="199 1164 295 1198">Liquid:</p> <table data-bbox="199 1198 798 1288"> <tr> <td>Pumped liquid:</td> <td>Any Newtonian liquid</td> </tr> <tr> <td>Liquid temperature range:</td> <td>0 .. 40 °C</td> </tr> <tr> <td>Density:</td> <td>998.2 kg/m³</td> </tr> </table> <p data-bbox="199 1310 327 1344">Technical:</p> <table data-bbox="199 1344 813 1556"> <tr> <td>Type of impeller:</td> <td>SUPER VORTEX</td> </tr> <tr> <td>Maximum particle size:</td> <td>80 mm</td> </tr> <tr> <td>Primary shaft seal:</td> <td>SIC/SIC</td> </tr> <tr> <td>Secondary shaft seal:</td> <td>CARBON/CERAMICS</td> </tr> <tr> <td>Max. hydraulic efficiency:</td> <td>39 %</td> </tr> <tr> <td>Approvals on nameplate:</td> <td>EN12050-1</td> </tr> <tr> <td>Curve tolerance:</td> <td>ISO9906:2012 3B2</td> </tr> </table> <p data-bbox="199 1579 327 1612">Materials:</p> <table data-bbox="199 1612 813 1680"> <tr> <td>Pump housing:</td> <td>EN 1561 EN-GJL-250</td> </tr> <tr> <td>Impeller:</td> <td>Cast iron</td> </tr> </table> <p data-bbox="199 1702 343 1736">Installation:</p> <table data-bbox="199 1736 638 1915"> <tr> <td>Maximum ambient temperature:</td> <td>40 °C</td> </tr> <tr> <td>Maximum operating pressure:</td> <td>6 bar</td> </tr> <tr> <td>Flange standard:</td> <td>DIN</td> </tr> <tr> <td>Pump outlet:</td> <td>DN 80</td> </tr> <tr> <td>Pressure rating:</td> <td>PN 10</td> </tr> <tr> <td>Maximum installation depth:</td> <td>20 m</td> </tr> </table> <p data-bbox="199 1937 383 1971">Electrical data:</p> <table data-bbox="199 1971 726 2094"> <tr> <td>Power input - P1:</td> <td>10.5 kW</td> </tr> <tr> <td>Rated power - P2:</td> <td>9.2 kW</td> </tr> <tr> <td>Mains frequency:</td> <td>50 Hz</td> </tr> <tr> <td>Rated voltage:</td> <td>3 x 380-415 V</td> </tr> </table>	Moisture sensor:	with moisture sensors	Water-in-oil sensor:	with water-in-oil sensor	Temp. sensor:	Y	Pumped liquid:	Any Newtonian liquid	Liquid temperature range:	0 .. 40 °C	Density:	998.2 kg/m ³	Type of impeller:	SUPER VORTEX	Maximum particle size:	80 mm	Primary shaft seal:	SIC/SIC	Secondary shaft seal:	CARBON/CERAMICS	Max. hydraulic efficiency:	39 %	Approvals on nameplate:	EN12050-1	Curve tolerance:	ISO9906:2012 3B2	Pump housing:	EN 1561 EN-GJL-250	Impeller:	Cast iron	Maximum ambient temperature:	40 °C	Maximum operating pressure:	6 bar	Flange standard:	DIN	Pump outlet:	DN 80	Pressure rating:	PN 10	Maximum installation depth:	20 m	Power input - P1:	10.5 kW	Rated power - P2:	9.2 kW	Mains frequency:	50 Hz	Rated voltage:	3 x 380-415 V
Moisture sensor:	with moisture sensors																																																		
Water-in-oil sensor:	with water-in-oil sensor																																																		
Temp. sensor:	Y																																																		
Pumped liquid:	Any Newtonian liquid																																																		
Liquid temperature range:	0 .. 40 °C																																																		
Density:	998.2 kg/m ³																																																		
Type of impeller:	SUPER VORTEX																																																		
Maximum particle size:	80 mm																																																		
Primary shaft seal:	SIC/SIC																																																		
Secondary shaft seal:	CARBON/CERAMICS																																																		
Max. hydraulic efficiency:	39 %																																																		
Approvals on nameplate:	EN12050-1																																																		
Curve tolerance:	ISO9906:2012 3B2																																																		
Pump housing:	EN 1561 EN-GJL-250																																																		
Impeller:	Cast iron																																																		
Maximum ambient temperature:	40 °C																																																		
Maximum operating pressure:	6 bar																																																		
Flange standard:	DIN																																																		
Pump outlet:	DN 80																																																		
Pressure rating:	PN 10																																																		
Maximum installation depth:	20 m																																																		
Power input - P1:	10.5 kW																																																		
Rated power - P2:	9.2 kW																																																		
Mains frequency:	50 Hz																																																		
Rated voltage:	3 x 380-415 V																																																		

Qty.	Description																																																												
	<table> <tr> <td>Voltage tolerance:</td> <td>+6/-10 %</td> </tr> <tr> <td>Max starts per. hour:</td> <td>20</td> </tr> <tr> <td>Rated current:</td> <td>18.8-17.5 A</td> </tr> <tr> <td>Rated current at 3/4 load:</td> <td>13.4 A</td> </tr> <tr> <td>Rated current at 1/2 load:</td> <td>10 A</td> </tr> <tr> <td>Starting current:</td> <td>162 A</td> </tr> <tr> <td>Rated current at no load:</td> <td>5.6 A</td> </tr> <tr> <td>Cos phi - power factor:</td> <td>0.89</td> </tr> <tr> <td>Cos phi - p.f. at no load:</td> <td>0.16</td> </tr> <tr> <td>Cos phi - p.f. at 3/4 load:</td> <td>0.85</td> </tr> <tr> <td>Cos phi - p.f. at 1/2 load:</td> <td>0.78</td> </tr> <tr> <td>Rated speed:</td> <td>2935 rpm</td> </tr> <tr> <td>Locked-rotor torque:</td> <td>69 Nm</td> </tr> <tr> <td>Breakdown torque:</td> <td>99 Nm</td> </tr> <tr> <td>Moment of inertia:</td> <td>0.0334 kg m²</td> </tr> <tr> <td>Motor efficiency at full load:</td> <td>87.6 %</td> </tr> <tr> <td>Motor efficiency at 3/4 load:</td> <td>87.4 %</td> </tr> <tr> <td>Motor efficiency at 1/2 load:</td> <td>85.4 %</td> </tr> <tr> <td>Number of poles:</td> <td>2</td> </tr> <tr> <td>Start. method:</td> <td>star/delta</td> </tr> <tr> <td>Enclosure class (IEC 34-5):</td> <td>IP68</td> </tr> <tr> <td>Insulation class (IEC 85):</td> <td>F</td> </tr> <tr> <td>Explosion proof:</td> <td>no</td> </tr> <tr> <td>Length of cable:</td> <td>10 m</td> </tr> <tr> <td>Cable type:</td> <td>LYNIFLEX</td> </tr> <tr> <td>Type of cable plug:</td> <td>NO PLUG</td> </tr> <tr> <td colspan="2">Others:</td> </tr> <tr> <td>Net weight:</td> <td>190 kg</td> </tr> <tr> <td>Country of origin:</td> <td>HU</td> </tr> <tr> <td>Custom tariff no.:</td> <td>84137021</td> </tr> </table>	Voltage tolerance:	+6/-10 %	Max starts per. hour:	20	Rated current:	18.8-17.5 A	Rated current at 3/4 load:	13.4 A	Rated current at 1/2 load:	10 A	Starting current:	162 A	Rated current at no load:	5.6 A	Cos phi - power factor:	0.89	Cos phi - p.f. at no load:	0.16	Cos phi - p.f. at 3/4 load:	0.85	Cos phi - p.f. at 1/2 load:	0.78	Rated speed:	2935 rpm	Locked-rotor torque:	69 Nm	Breakdown torque:	99 Nm	Moment of inertia:	0.0334 kg m ²	Motor efficiency at full load:	87.6 %	Motor efficiency at 3/4 load:	87.4 %	Motor efficiency at 1/2 load:	85.4 %	Number of poles:	2	Start. method:	star/delta	Enclosure class (IEC 34-5):	IP68	Insulation class (IEC 85):	F	Explosion proof:	no	Length of cable:	10 m	Cable type:	LYNIFLEX	Type of cable plug:	NO PLUG	Others:		Net weight:	190 kg	Country of origin:	HU	Custom tariff no.:	84137021
Voltage tolerance:	+6/-10 %																																																												
Max starts per. hour:	20																																																												
Rated current:	18.8-17.5 A																																																												
Rated current at 3/4 load:	13.4 A																																																												
Rated current at 1/2 load:	10 A																																																												
Starting current:	162 A																																																												
Rated current at no load:	5.6 A																																																												
Cos phi - power factor:	0.89																																																												
Cos phi - p.f. at no load:	0.16																																																												
Cos phi - p.f. at 3/4 load:	0.85																																																												
Cos phi - p.f. at 1/2 load:	0.78																																																												
Rated speed:	2935 rpm																																																												
Locked-rotor torque:	69 Nm																																																												
Breakdown torque:	99 Nm																																																												
Moment of inertia:	0.0334 kg m ²																																																												
Motor efficiency at full load:	87.6 %																																																												
Motor efficiency at 3/4 load:	87.4 %																																																												
Motor efficiency at 1/2 load:	85.4 %																																																												
Number of poles:	2																																																												
Start. method:	star/delta																																																												
Enclosure class (IEC 34-5):	IP68																																																												
Insulation class (IEC 85):	F																																																												
Explosion proof:	no																																																												
Length of cable:	10 m																																																												
Cable type:	LYNIFLEX																																																												
Type of cable plug:	NO PLUG																																																												
Others:																																																													
Net weight:	190 kg																																																												
Country of origin:	HU																																																												
Custom tariff no.:	84137021																																																												

96177667 SEV.80.80.92.A.2.51D 50 Hz



Description	Value
General information:	
Product name:	SEV.80.80.92.A.2.51D
Product No:	96177667
EAN number:	5700830442630
	5700830442630
Price:	5.819,00 GBP
Technical:	
Max flow:	25 l/s
Head max:	37 m
Type of impeller:	SUPER VORTEX
Maximum particle size:	80 mm
Primary shaft seal:	SIC/SIC
Secondary shaft seal:	CARBON/CERAMICS
Max. hydraulic efficiency:	39 %
Approvals on nameplate:	EN12050-1
Curve tolerance:	ISO9906:2012 3B2
Cooling jacket:	with cooling jacket
Materials:	
Pump housing:	EN 1561 EN-GJL-250
Impeller:	Cast iron
Installation:	
Maximum ambient temperature:	40 °C
Maximum operating pressure:	6 bar
Flange standard:	DIN
Pump outlet:	DN 80
Pressure rating:	PN 10
Maximum installation depth:	20 m
Inst dry/wet:	DRY/SUBMERGED
Installation:	horizontal or vertical
Liquid:	
Pumped liquid:	Any Newtonian liquid
Liquid temperature range:	0 .. 40 °C
Density:	998.2 kg/m ³
Electrical data:	
Power input - P1:	10.5 kW
Rated power - P2:	9.2 kW
Mains frequency:	50 Hz
Rated voltage:	3 x 380-415 V
Voltage tolerance:	+6/-10 %
Max starts per. hour:	20
Rated current:	18.8-17.5 A
Rated current at 3/4 load:	13.4 A
Rated current at 1/2 load:	10 A
Starting current:	162 A
Rated current at no load:	5.6 A
Cos phi - power factor:	0.89
Cos phi - p.f. at no load:	0.16
Cos phi - p.f. at 3/4 load:	0.85
Cos phi - p.f. at 1/2 load:	0.78
Rated speed:	2935 rpm
Locked-rotor torque:	69 Nm
Breakdown torque:	99 Nm
Moment of inertia:	0.0334 kg m ²
Motor efficiency at full load:	87.6 %
Motor efficiency at 3/4 load:	87.4 %
Motor efficiency at 1/2 load:	85.4 %
Number of poles:	2
Start. method:	star/delta





Company name:

Created by:

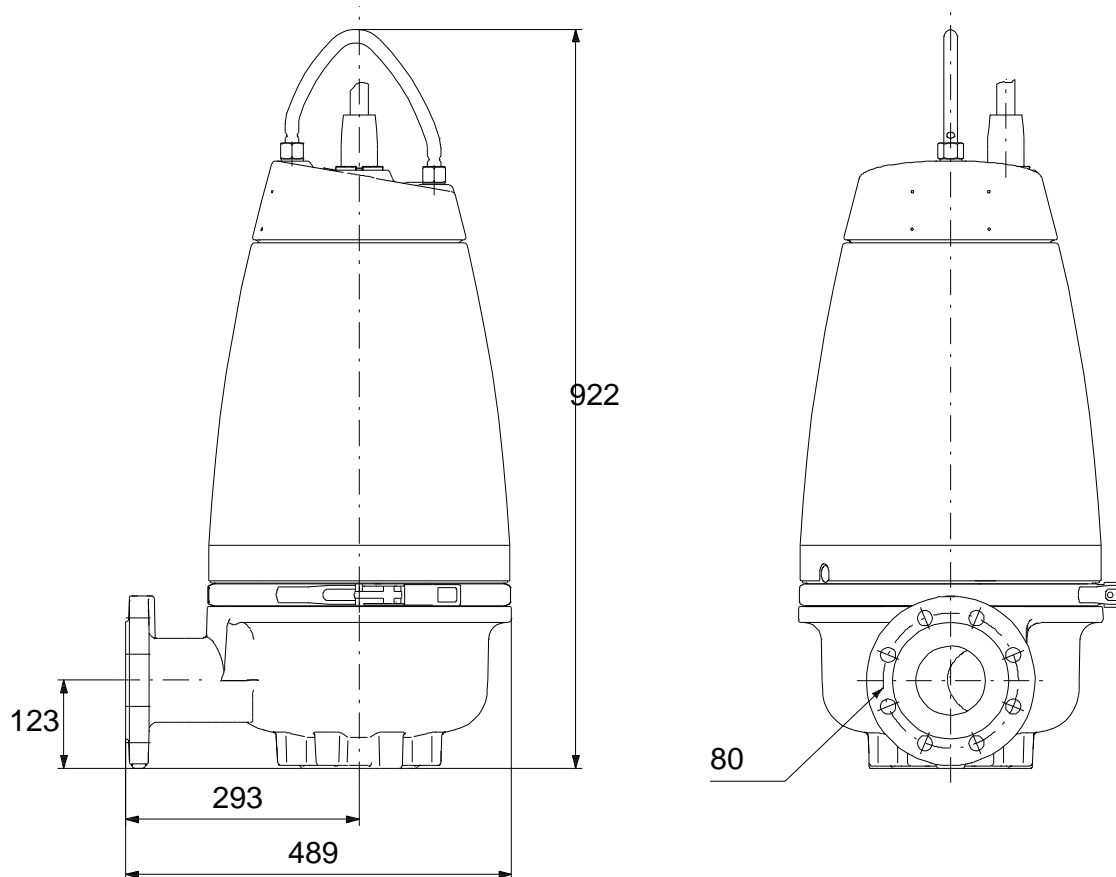
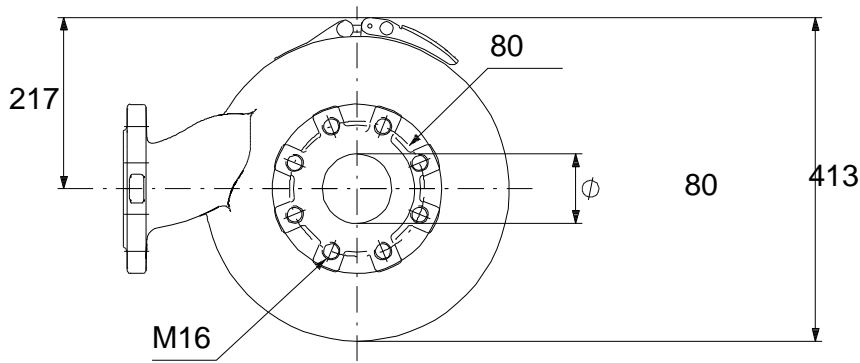
Phone:

Date:

28/01/2020

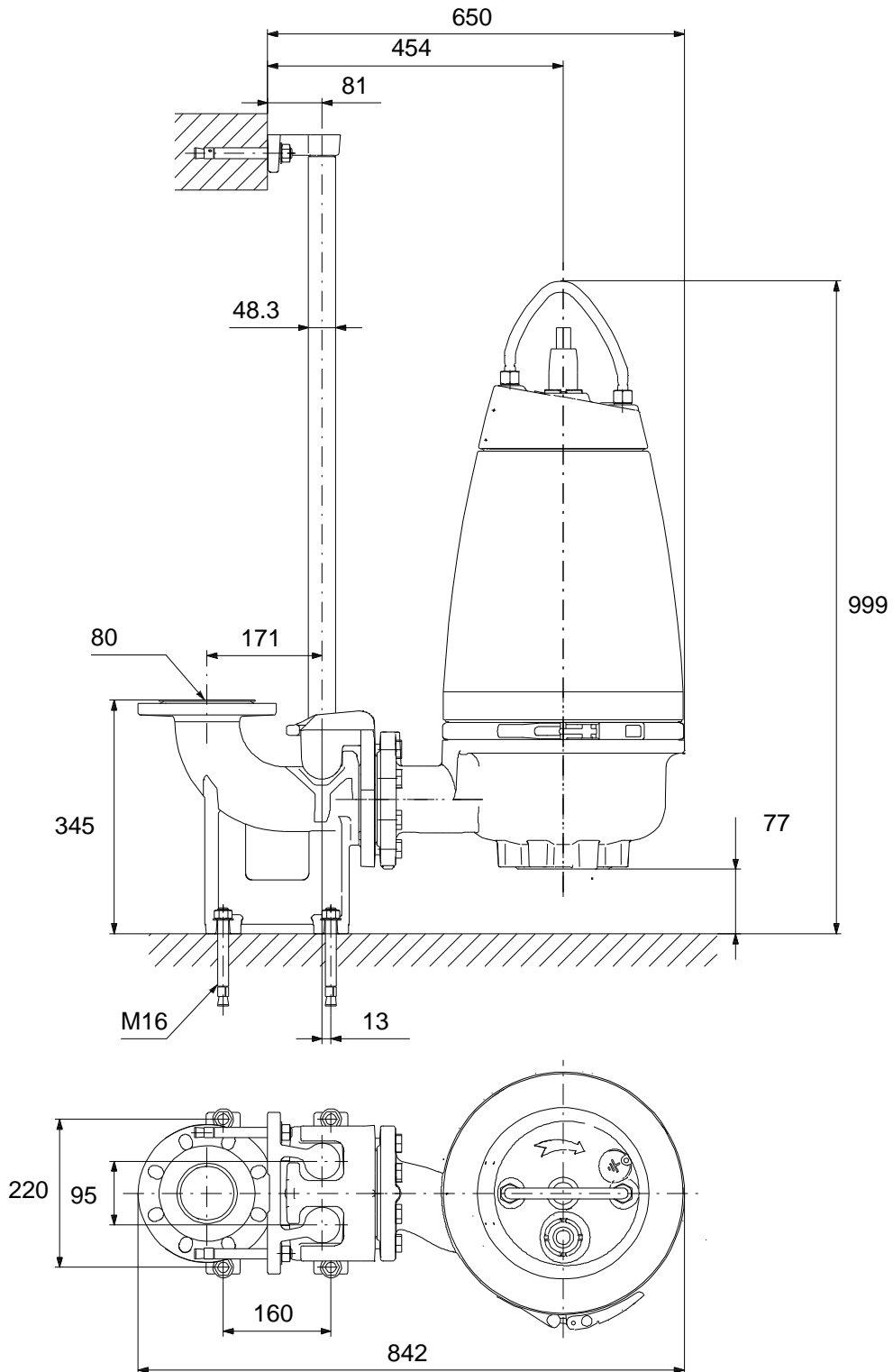
Description	Value
Enclosure class (IEC 34-5):	IP68
Insulation class (IEC 85):	F
Explosion proof:	no
Motor protec:	THERMAL SWITCH
Thermal protec:	internal
Length of cable:	10 m
Cable type:	LYNIFLEX
Type of cable plug:	NO PLUG
Controls:	
Control box:	not included
Moisture sensor:	with moisture sensors
Water-in-oil sensor:	with water-in-oil sensor
Temp. sensor:	Y
Others:	
Net weight:	190 kg
Country of origin:	HU
Custom tariff no.:	84137021

96177667 SEV.80.80.92.A.2.51D 50 Hz



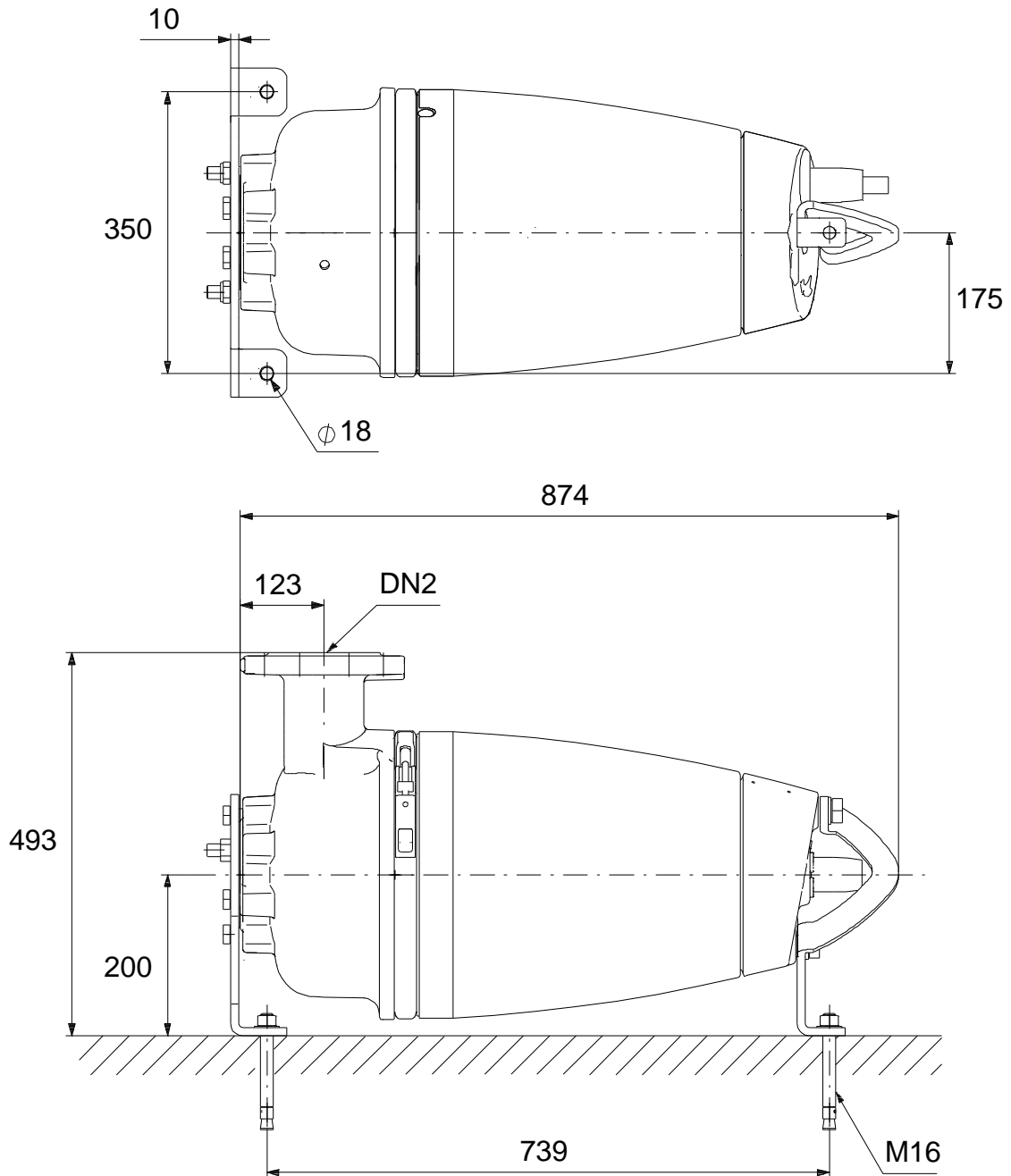
Note! All units are in [mm] unless others are stated.
Disclaimer: This simplified dimensional drawing does not show all details.

96177667 SEV.80.80.92.A.2.51D 50 Hz



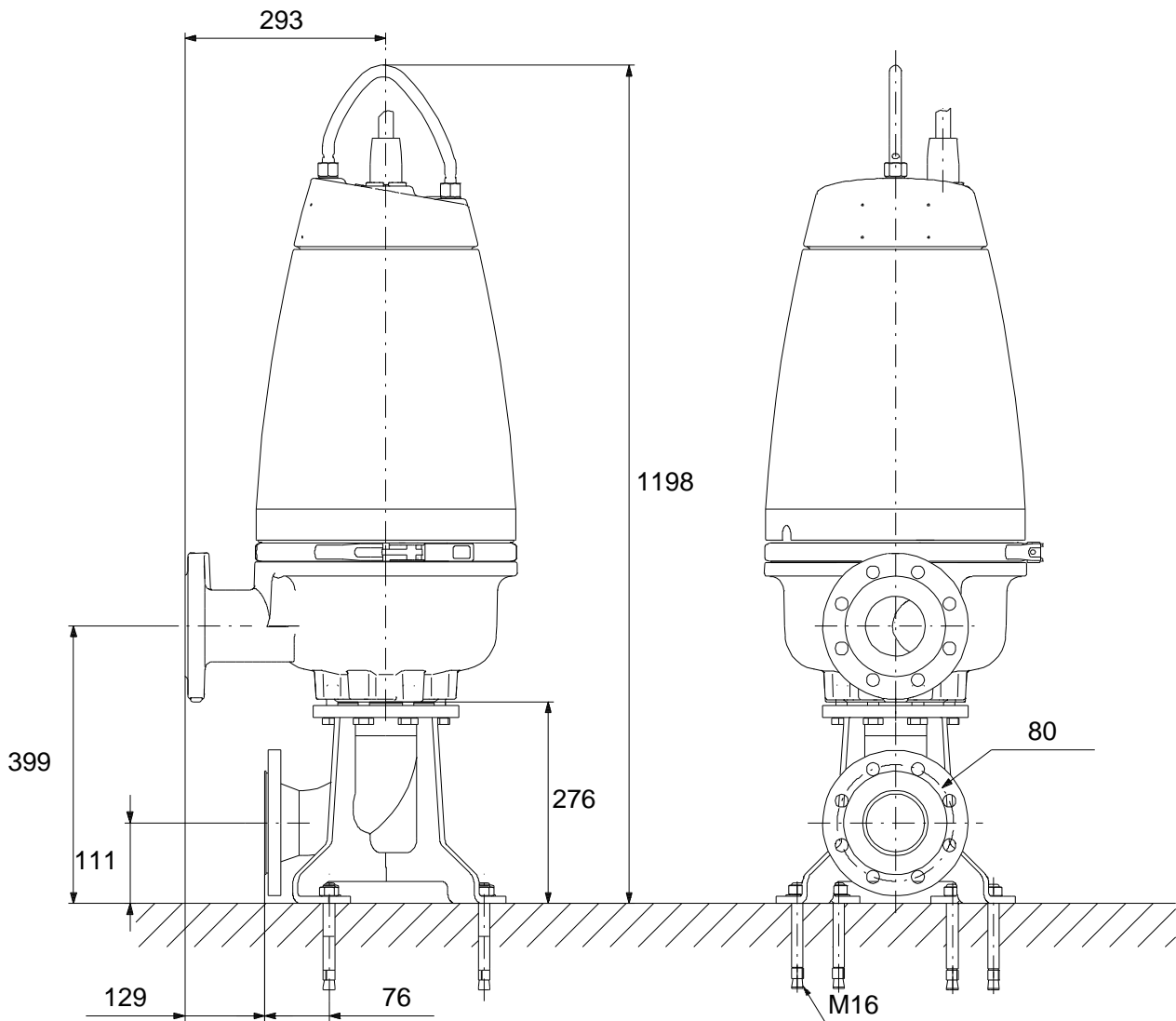
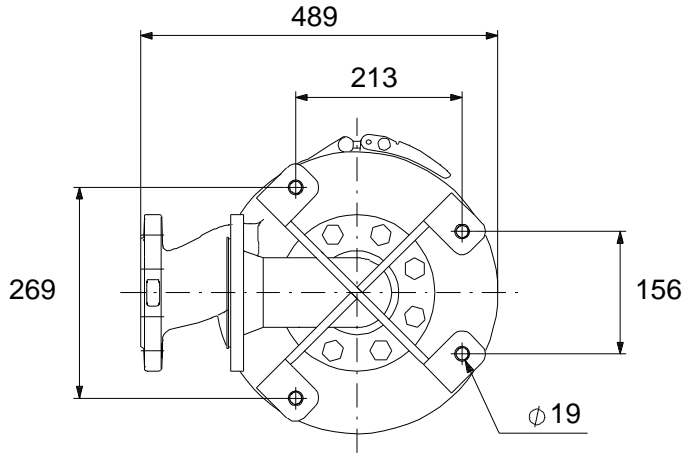
Note! All units are in [mm] unless others are stated.
Disclaimer: This simplified dimensional drawing does not show all details.

96177667 SEV.80.80.92.A.2.51D 50 Hz



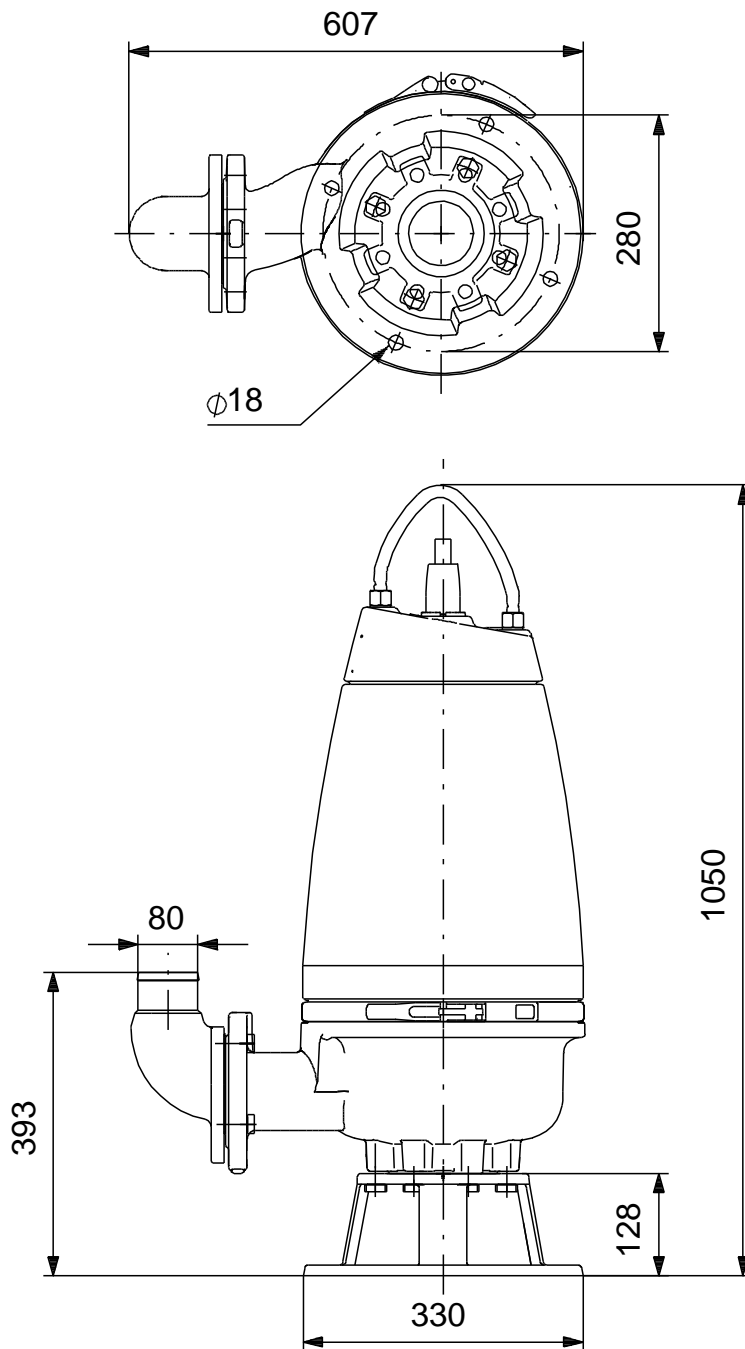
Note! All units are in [mm] unless others are stated.
Disclaimer: This simplified dimensional drawing does not show all details.

96177667 SEV.80.80.92.A.2.51D 50 Hz



Note! All units are in [mm] unless others are stated.
Disclaimer: This simplified dimensional drawing does not show all details.

96177667 SEV.80.80.92.A.2.51D 50 Hz



Note! All units are in [mm] unless others are stated.
Disclaimer: This simplified dimensional drawing does not show all details.