
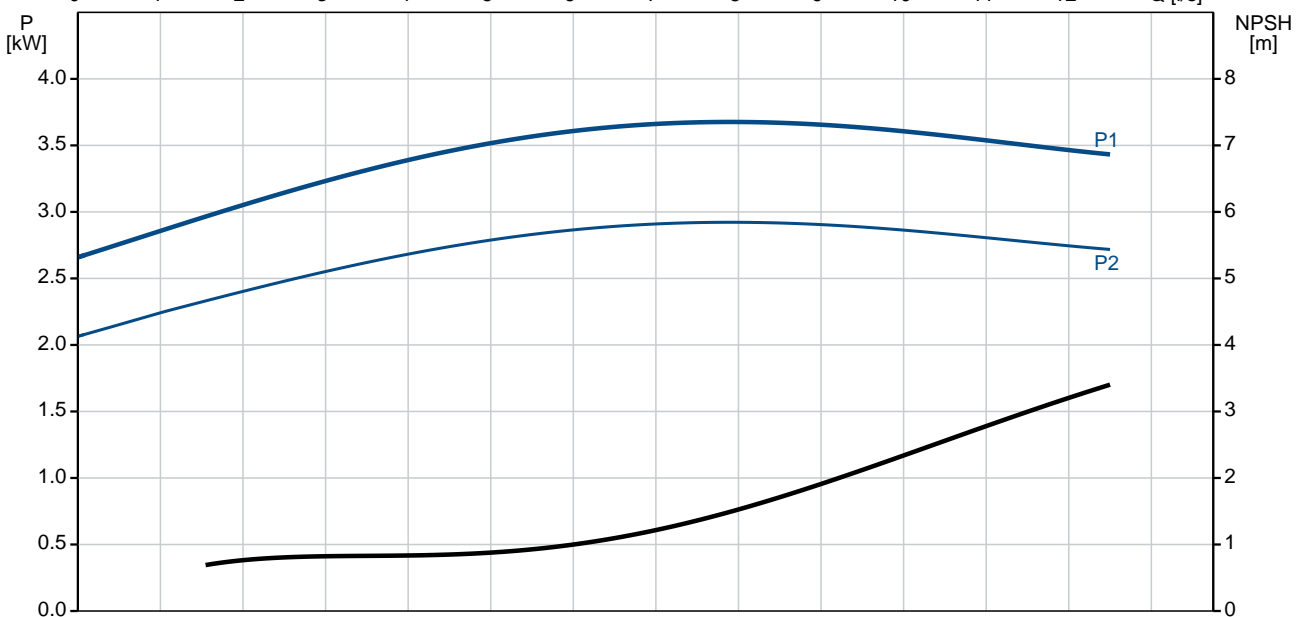
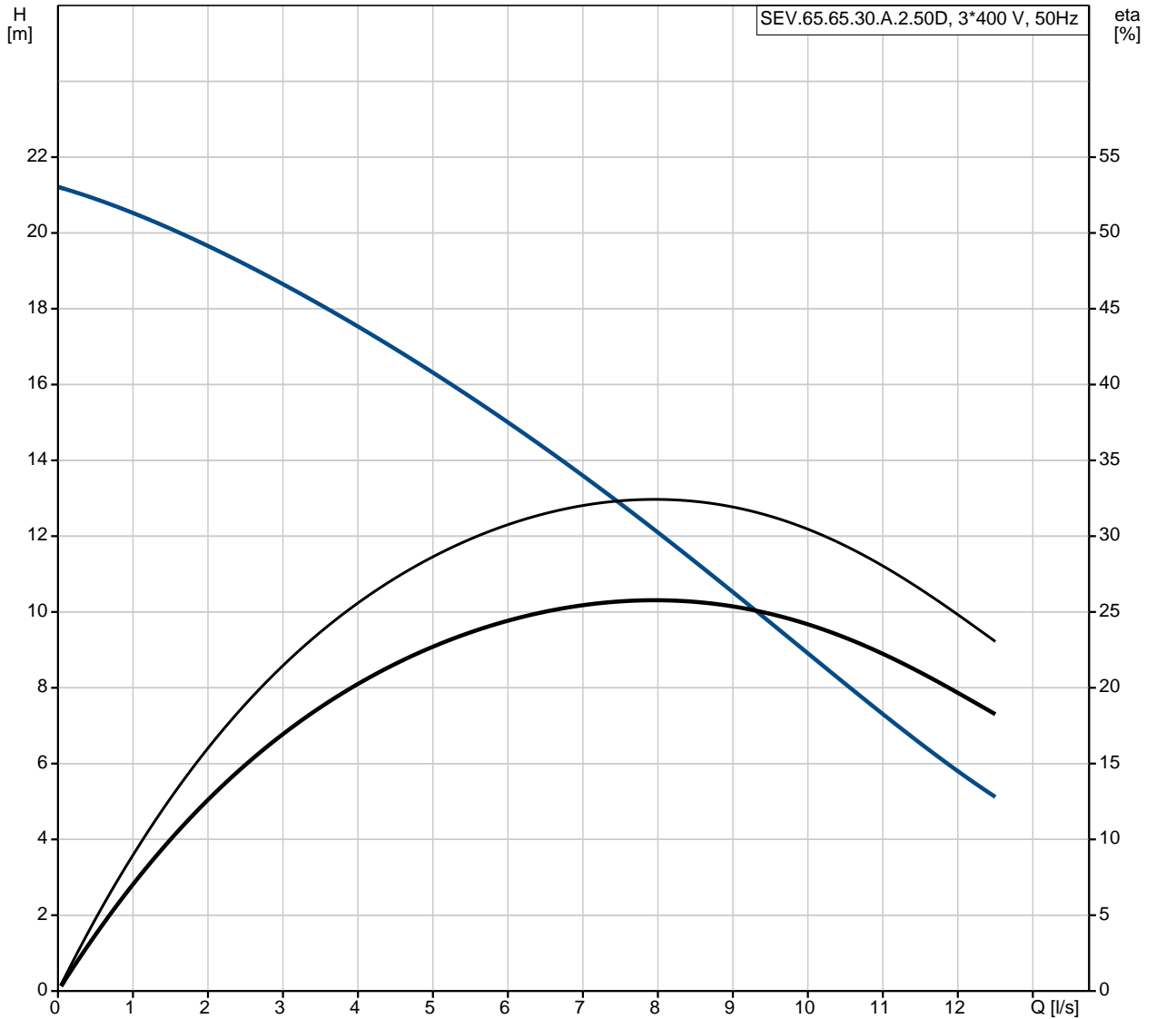


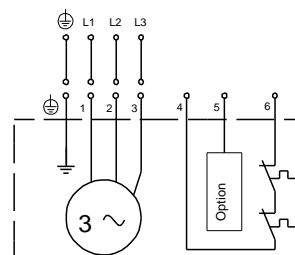
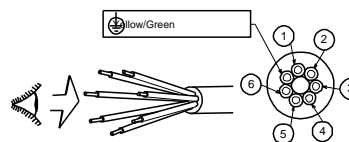
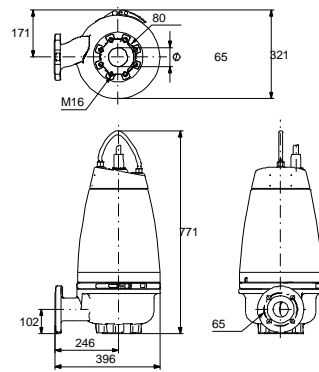
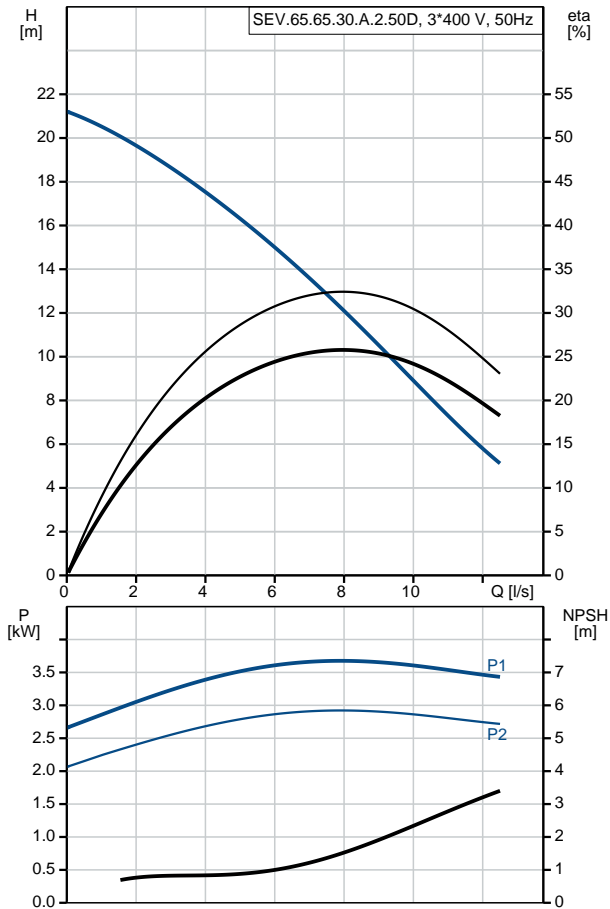
Qty.	Description																																																		
1	<p data-bbox="199 336 454 369"><b>SEV.65.65.30.A.2.50D</b></p> <div data-bbox="223 380 558 660">  </div> <p data-bbox="590 638 1077 667">Note! Product picture may differ from actual product</p> <p data-bbox="199 672 470 705">Product No.: <a href="#">96177654</a></p> <p data-bbox="199 728 1460 784">Non-self-priming, single-stage, centrifugal pump designed for handling wastewater, process water and unscreened raw sewage.</p> <p data-bbox="199 788 1460 891">The pump is designed for intermittent and continuous operation. The liquidless and maintenance free cooling system ensures that the pump can be used for submerged or dry installation. The efficient SuperVortex impeller provides passage of long fibres and solids up to 65 mm and is suitable for wastewater with a dry matter content of up to 5 %.</p> <p data-bbox="199 900 1404 956">A unique stainless-steel clamp assembling system enables quick and easy disassembly of the pump from the motor unit for service and inspection. No special tools are required. Pipework connection is via a DIN flange.</p> <p data-bbox="199 1019 319 1048"><b>Controls:</b></p> <table data-bbox="199 1048 821 1137"> <tr> <td>Moisture sensor:</td> <td>with moisture sensors</td> </tr> <tr> <td>Water-in-oil sensor:</td> <td>with water-in-oil sensor</td> </tr> <tr> <td>Temp. sensor:</td> <td>Y</td> </tr> </table> <p data-bbox="199 1169 295 1198"><b>Liquid:</b></p> <table data-bbox="199 1198 702 1258"> <tr> <td>Liquid temperature range:</td> <td>0 .. 40 °C</td> </tr> <tr> <td>Density:</td> <td>998.2 kg/m<sup>3</sup></td> </tr> </table> <p data-bbox="199 1288 327 1317"><b>Technical:</b></p> <table data-bbox="199 1317 813 1527"> <tr> <td>Type of impeller:</td> <td>SUPER VORTEX</td> </tr> <tr> <td>Maximum particle size:</td> <td>65 mm</td> </tr> <tr> <td>Primary shaft seal:</td> <td>SIC/SIC</td> </tr> <tr> <td>Secondary shaft seal:</td> <td>CARBON/CERAMICS</td> </tr> <tr> <td>Max. hydraulic efficiency:</td> <td>31 %</td> </tr> <tr> <td>Approvals on nameplate:</td> <td>EN12050-1</td> </tr> <tr> <td>Curve tolerance:</td> <td>ISO9906:2012 3B2</td> </tr> </table> <p data-bbox="199 1556 327 1585"><b>Materials:</b></p> <table data-bbox="199 1585 813 1646"> <tr> <td>Pump housing:</td> <td>EN 1561 EN-GJL-250</td> </tr> <tr> <td>Impeller:</td> <td>Cast iron</td> </tr> </table> <p data-bbox="199 1675 343 1704"><b>Installation:</b></p> <table data-bbox="199 1704 638 1886"> <tr> <td>Maximum ambient temperature:</td> <td>40 °C</td> </tr> <tr> <td>Maximum operating pressure:</td> <td>6 bar</td> </tr> <tr> <td>Flange standard:</td> <td>DIN</td> </tr> <tr> <td>Pump outlet:</td> <td>DN 65</td> </tr> <tr> <td>Pressure rating:</td> <td>PN 10</td> </tr> <tr> <td>Maximum installation depth:</td> <td>20 m</td> </tr> </table> <p data-bbox="199 1915 383 1944"><b>Electrical data:</b></p> <table data-bbox="199 1944 726 2094"> <tr> <td>Power input - P1:</td> <td>3.8 kW</td> </tr> <tr> <td>Rated power - P2:</td> <td>3 kW</td> </tr> <tr> <td>Mains frequency:</td> <td>50 Hz</td> </tr> <tr> <td>Rated voltage:</td> <td>3 x 380-415 V</td> </tr> <tr> <td>Voltage tolerance:</td> <td>+6/-10 %</td> </tr> </table>	Moisture sensor:	with moisture sensors	Water-in-oil sensor:	with water-in-oil sensor	Temp. sensor:	Y	Liquid temperature range:	0 .. 40 °C	Density:	998.2 kg/m <sup>3</sup>	Type of impeller:	SUPER VORTEX	Maximum particle size:	65 mm	Primary shaft seal:	SIC/SIC	Secondary shaft seal:	CARBON/CERAMICS	Max. hydraulic efficiency:	31 %	Approvals on nameplate:	EN12050-1	Curve tolerance:	ISO9906:2012 3B2	Pump housing:	EN 1561 EN-GJL-250	Impeller:	Cast iron	Maximum ambient temperature:	40 °C	Maximum operating pressure:	6 bar	Flange standard:	DIN	Pump outlet:	DN 65	Pressure rating:	PN 10	Maximum installation depth:	20 m	Power input - P1:	3.8 kW	Rated power - P2:	3 kW	Mains frequency:	50 Hz	Rated voltage:	3 x 380-415 V	Voltage tolerance:	+6/-10 %
Moisture sensor:	with moisture sensors																																																		
Water-in-oil sensor:	with water-in-oil sensor																																																		
Temp. sensor:	Y																																																		
Liquid temperature range:	0 .. 40 °C																																																		
Density:	998.2 kg/m <sup>3</sup>																																																		
Type of impeller:	SUPER VORTEX																																																		
Maximum particle size:	65 mm																																																		
Primary shaft seal:	SIC/SIC																																																		
Secondary shaft seal:	CARBON/CERAMICS																																																		
Max. hydraulic efficiency:	31 %																																																		
Approvals on nameplate:	EN12050-1																																																		
Curve tolerance:	ISO9906:2012 3B2																																																		
Pump housing:	EN 1561 EN-GJL-250																																																		
Impeller:	Cast iron																																																		
Maximum ambient temperature:	40 °C																																																		
Maximum operating pressure:	6 bar																																																		
Flange standard:	DIN																																																		
Pump outlet:	DN 65																																																		
Pressure rating:	PN 10																																																		
Maximum installation depth:	20 m																																																		
Power input - P1:	3.8 kW																																																		
Rated power - P2:	3 kW																																																		
Mains frequency:	50 Hz																																																		
Rated voltage:	3 x 380-415 V																																																		
Voltage tolerance:	+6/-10 %																																																		

Qty.	Description																																																										
	<table> <tr><td>Max starts per. hour:</td><td>20</td></tr> <tr><td>Rated current:</td><td>6.8-6.5 A</td></tr> <tr><td>Rated current at 3/4 load:</td><td>5 A</td></tr> <tr><td>Rated current at 1/2 load:</td><td>3.9 A</td></tr> <tr><td>Starting current:</td><td>51 A</td></tr> <tr><td>Rated current at no load:</td><td>2.5 A</td></tr> <tr><td>Cos phi - power factor:</td><td>0.87</td></tr> <tr><td>Cos phi - p.f. at no load:</td><td>0.22</td></tr> <tr><td>Cos phi - p.f. at 3/4 load:</td><td>0.83</td></tr> <tr><td>Cos phi - p.f. at 1/2 load:</td><td>0.74</td></tr> <tr><td>Rated speed:</td><td>2910 rpm</td></tr> <tr><td>Locked-rotor torque:</td><td>23 Nm</td></tr> <tr><td>Breakdown torque:</td><td>33 Nm</td></tr> <tr><td>Moment of inertia:</td><td>0.0098 kg m<sup>2</sup></td></tr> <tr><td>Motor efficiency at full load:</td><td>79.6 %</td></tr> <tr><td>Motor efficiency at 3/4 load:</td><td>78.5 %</td></tr> <tr><td>Motor efficiency at 1/2 load:</td><td>75.1 %</td></tr> <tr><td>Number of poles:</td><td>2</td></tr> <tr><td>Start. method:</td><td>direct-on-line</td></tr> <tr><td>Enclosure class (IEC 34-5):</td><td>IP68</td></tr> <tr><td>Insulation class (IEC 85):</td><td>F</td></tr> <tr><td>Explosion proof:</td><td>no</td></tr> <tr><td>Length of cable:</td><td>10 m</td></tr> <tr><td>Cable type:</td><td>LYNIFLEX</td></tr> <tr><td>Type of cable plug:</td><td>NO PLUG</td></tr> <tr><td colspan="2"><b>Others:</b></td></tr> <tr><td>Net weight:</td><td>92 kg</td></tr> <tr><td>Country of origin:</td><td>HU</td></tr> <tr><td>Custom tariff no.:</td><td>84137021</td></tr> </table>	Max starts per. hour:	20	Rated current:	6.8-6.5 A	Rated current at 3/4 load:	5 A	Rated current at 1/2 load:	3.9 A	Starting current:	51 A	Rated current at no load:	2.5 A	Cos phi - power factor:	0.87	Cos phi - p.f. at no load:	0.22	Cos phi - p.f. at 3/4 load:	0.83	Cos phi - p.f. at 1/2 load:	0.74	Rated speed:	2910 rpm	Locked-rotor torque:	23 Nm	Breakdown torque:	33 Nm	Moment of inertia:	0.0098 kg m <sup>2</sup>	Motor efficiency at full load:	79.6 %	Motor efficiency at 3/4 load:	78.5 %	Motor efficiency at 1/2 load:	75.1 %	Number of poles:	2	Start. method:	direct-on-line	Enclosure class (IEC 34-5):	IP68	Insulation class (IEC 85):	F	Explosion proof:	no	Length of cable:	10 m	Cable type:	LYNIFLEX	Type of cable plug:	NO PLUG	<b>Others:</b>		Net weight:	92 kg	Country of origin:	HU	Custom tariff no.:	84137021
Max starts per. hour:	20																																																										
Rated current:	6.8-6.5 A																																																										
Rated current at 3/4 load:	5 A																																																										
Rated current at 1/2 load:	3.9 A																																																										
Starting current:	51 A																																																										
Rated current at no load:	2.5 A																																																										
Cos phi - power factor:	0.87																																																										
Cos phi - p.f. at no load:	0.22																																																										
Cos phi - p.f. at 3/4 load:	0.83																																																										
Cos phi - p.f. at 1/2 load:	0.74																																																										
Rated speed:	2910 rpm																																																										
Locked-rotor torque:	23 Nm																																																										
Breakdown torque:	33 Nm																																																										
Moment of inertia:	0.0098 kg m <sup>2</sup>																																																										
Motor efficiency at full load:	79.6 %																																																										
Motor efficiency at 3/4 load:	78.5 %																																																										
Motor efficiency at 1/2 load:	75.1 %																																																										
Number of poles:	2																																																										
Start. method:	direct-on-line																																																										
Enclosure class (IEC 34-5):	IP68																																																										
Insulation class (IEC 85):	F																																																										
Explosion proof:	no																																																										
Length of cable:	10 m																																																										
Cable type:	LYNIFLEX																																																										
Type of cable plug:	NO PLUG																																																										
<b>Others:</b>																																																											
Net weight:	92 kg																																																										
Country of origin:	HU																																																										
Custom tariff no.:	84137021																																																										

## 96177654 SEV.65.65.30.A.2.50D 50 Hz



Description	Value
<b>General information:</b>	
Product name:	SEV.65.65.30.A.2.50D
Product No:	96177654
EAN number:	5700830442296
	5700830442296
Price:	3.306,00 GBP
<b>Technical:</b>	
Max flow:	12.5 l/s
Head max:	21.2 m
Type of impeller:	SUPER VORTEX
Maximum particle size:	65 mm
Primary shaft seal:	SIC/SIC
Secondary shaft seal:	CARBON/CERAMICS
Max. hydraulic efficiency:	31 %
Approvals on nameplate:	EN12050-1
Curve tolerance:	ISO9906:2012 3B2
Cooling jacket:	with cooling jacket
<b>Materials:</b>	
Pump housing:	EN 1561 EN-GJL-250
Impeller:	Cast iron
<b>Installation:</b>	
Maximum ambient temperature:	40 °C
Maximum operating pressure:	6 bar
Flange standard:	DIN
Pump outlet:	DN 65
Pressure rating:	PN 10
Maximum installation depth:	20 m
Inst dry/wet:	DRY/SUBMERGED
Installation:	horizontal or vertical
<b>Liquid:</b>	
Liquid temperature range:	0 .. 40 °C
Density:	998.2 kg/m <sup>3</sup>
<b>Electrical data:</b>	
Power input - P1:	3.8 kW
Rated power - P2:	3 kW
Mains frequency:	50 Hz
Rated voltage:	3 x 380-415 V
Voltage tolerance:	+6/-10 %
Max starts per. hour:	20
Rated current:	6.8-6.5 A
Rated current at 3/4 load:	5 A
Rated current at 1/2 load:	3.9 A
Starting current:	51 A
Rated current at no load:	2.5 A
Cos phi - power factor:	0.87
Cos phi - p.f. at no load:	0.22
Cos phi - p.f. at 3/4 load:	0.83
Cos phi - p.f. at 1/2 load:	0.74
Rated speed:	2910 rpm
Locked-rotor torque:	23 Nm
Breakdown torque:	33 Nm
Moment of inertia:	0.0098 kg m <sup>2</sup>
Motor efficiency at full load:	79.6 %
Motor efficiency at 3/4 load:	78.5 %
Motor efficiency at 1/2 load:	75.1 %
Number of poles:	2
Start. method:	direct-on-line
Enclosure class (IEC 34-5):	IP68





Company name:

Created by:

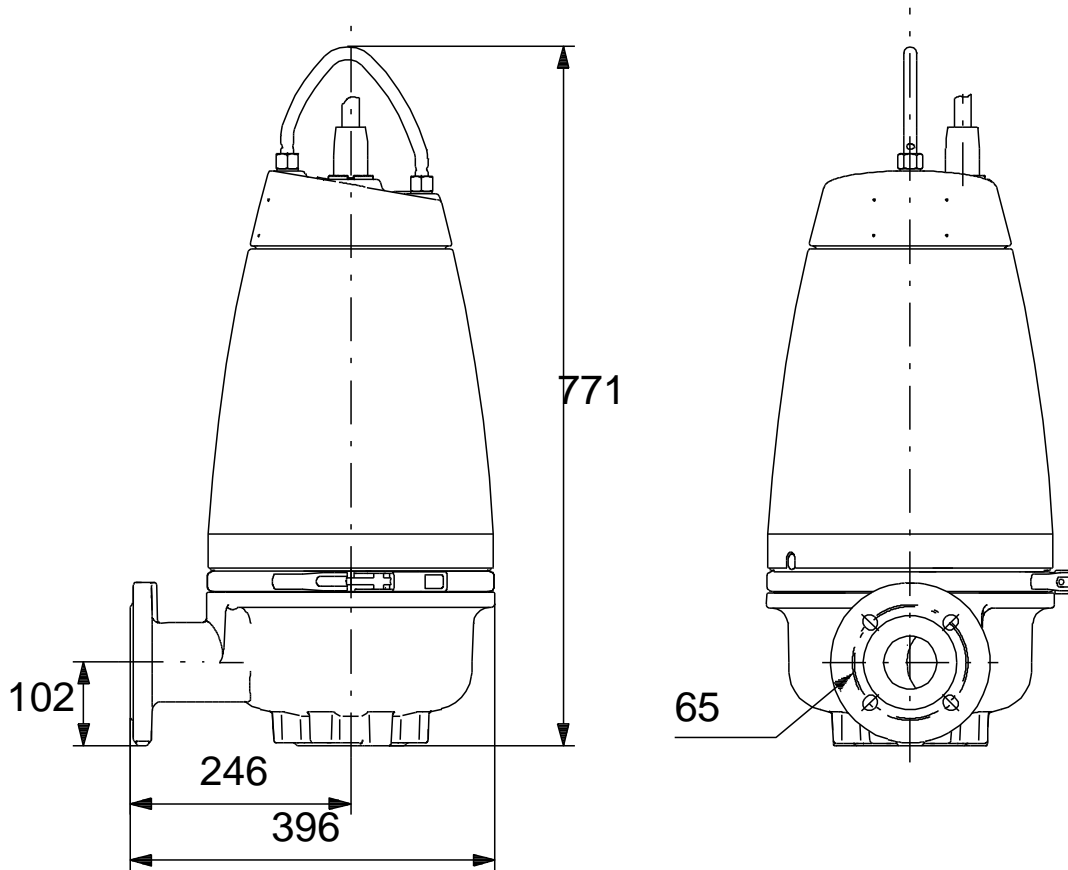
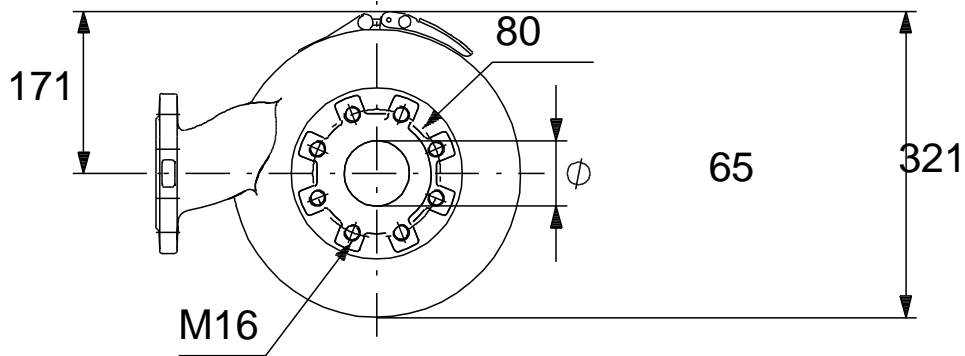
Phone:

Date:

28/01/2020

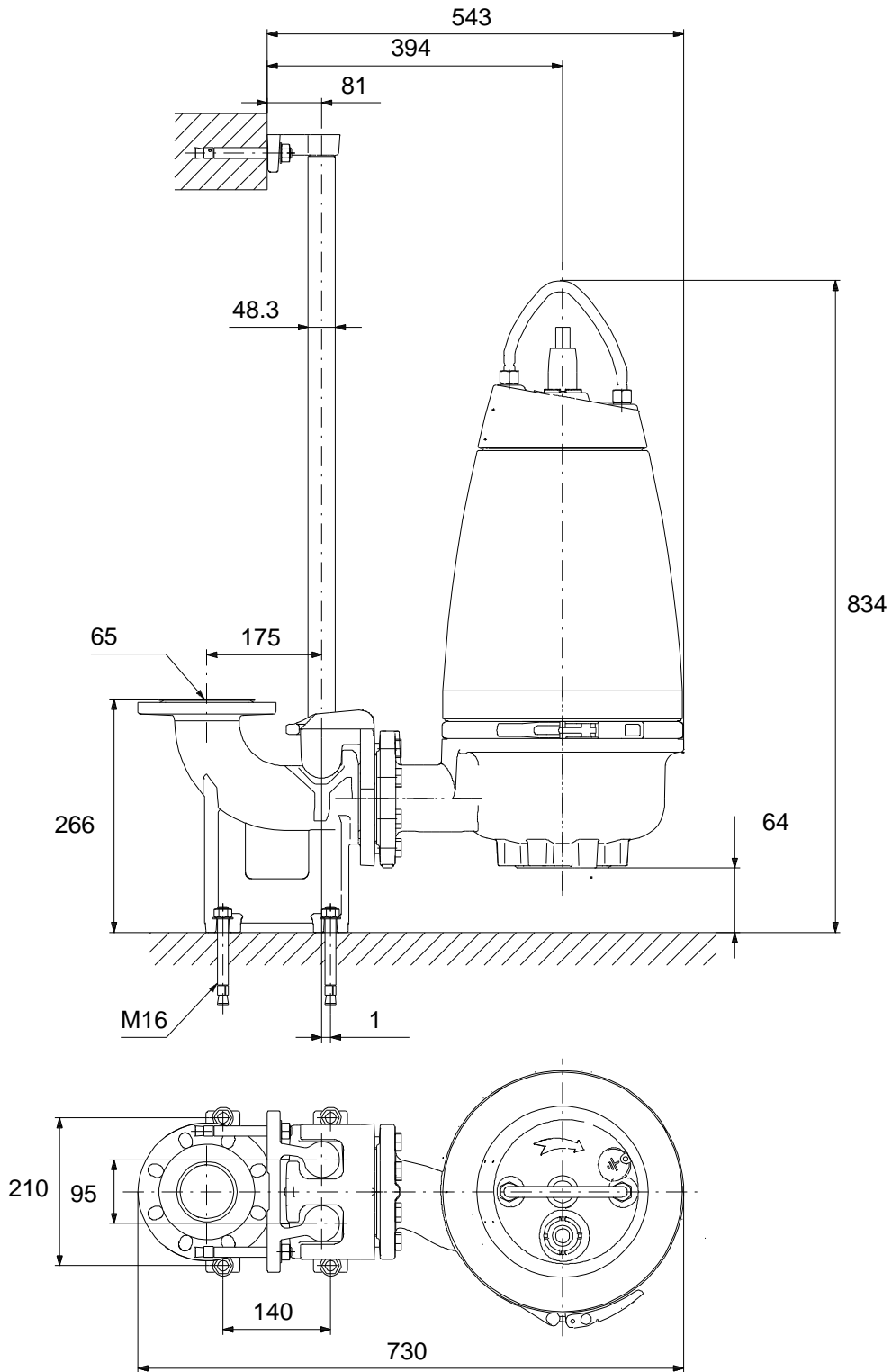
Description	Value
Insulation class (IEC 85):	F
Explosion proof:	no
Motor protec:	THERMAL SWITCH
Thermal protec:	internal
Length of cable:	10 m
Cable type:	LYNIFLEX
Type of cable plug:	NO PLUG
<b>Controls:</b>	
Control box:	not included
Moisture sensor:	with moisture sensors
Water-in-oil sensor:	with water-in-oil sensor
Temp. sensor:	Y
<b>Others:</b>	
Net weight:	92 kg
Country of origin:	HU
Custom tariff no.:	84137021

## 96177654 SEV.65.65.30.A.2.50D 50 Hz



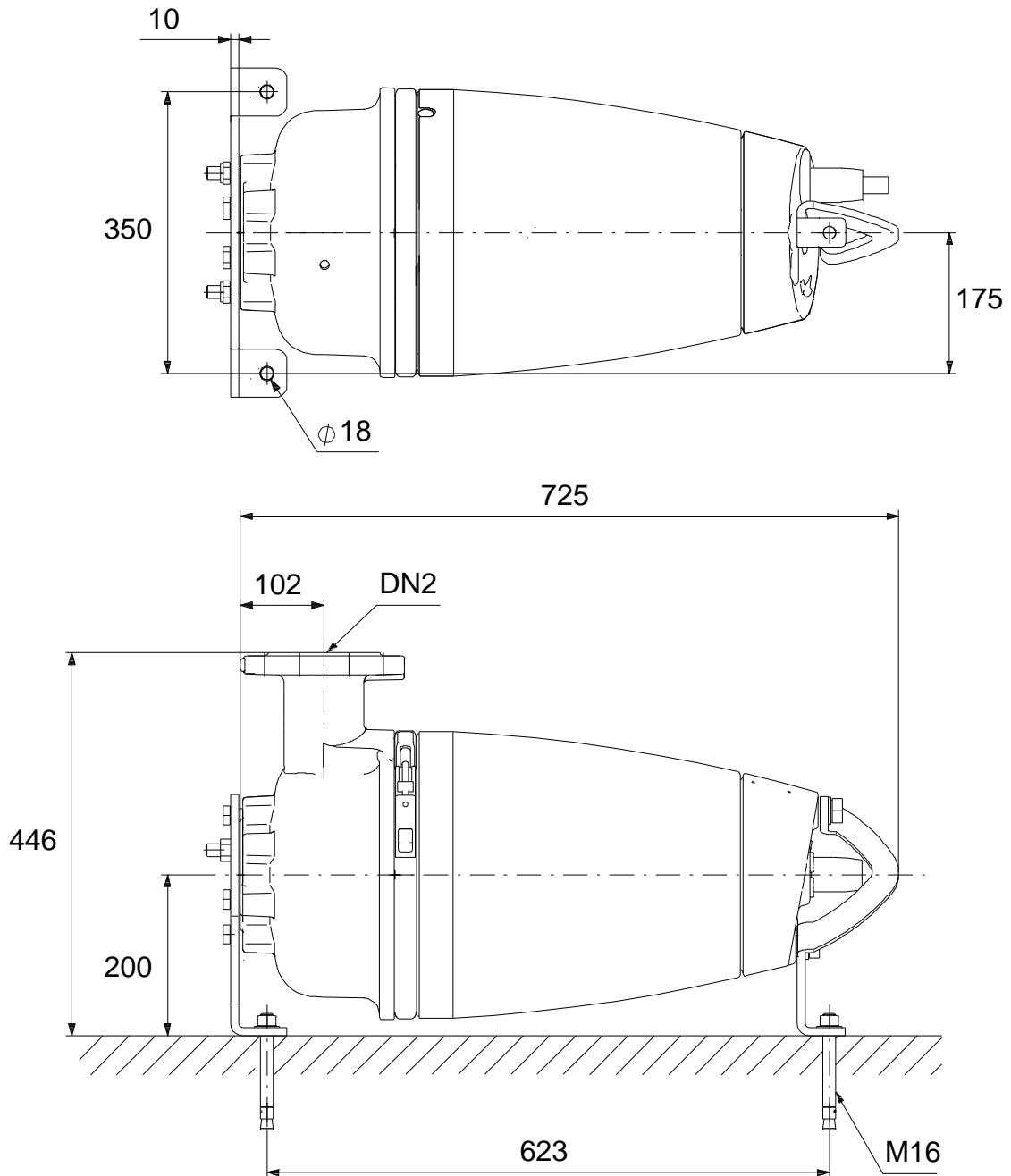
Note! All units are in [mm] unless others are stated.  
Disclaimer: This simplified dimensional drawing does not show all details.

## 96177654 SEV.65.65.30.A.2.50D 50 Hz



Note! All units are in [mm] unless others are stated.  
Disclaimer: This simplified dimensional drawing does not show all details.

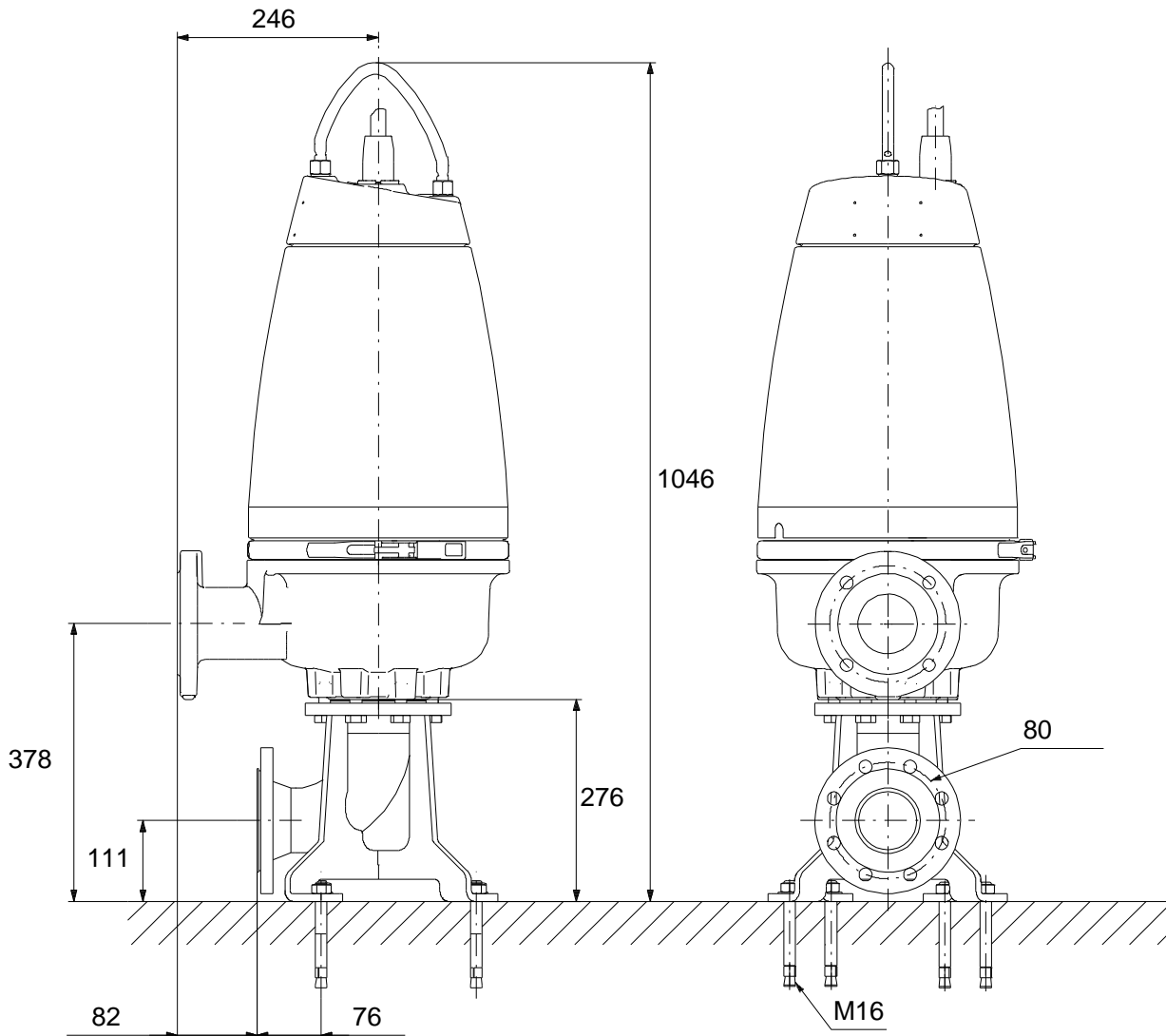
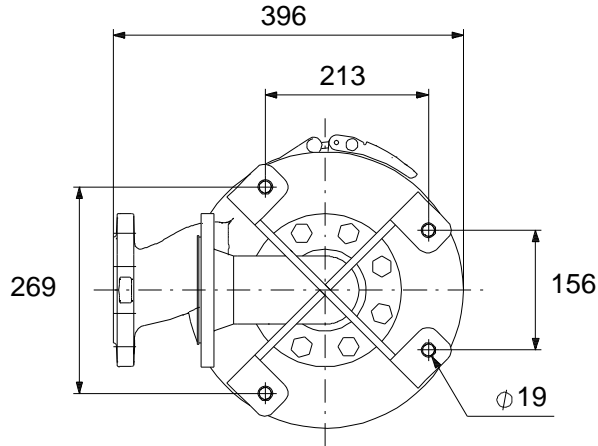
## 96177654 SEV.65.65.30.A.2.50D 50 Hz



Note! All units are in [mm] unless others are stated.  
Disclaimer: This simplified dimensional drawing does not show all details.

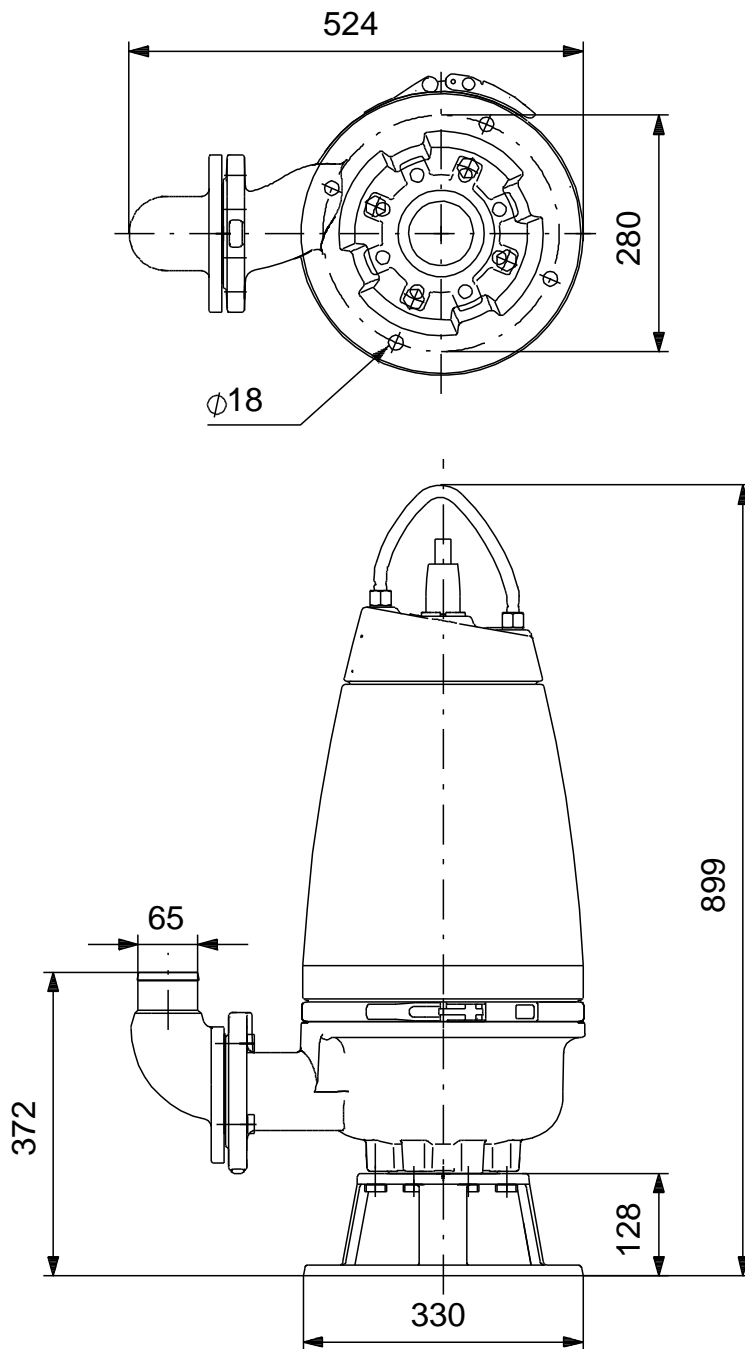


## 96177654 SEV.65.65.30.A.2.50D 50 Hz



Note! All units are in [mm] unless others are stated.  
Disclaimer: This simplified dimensional drawing does not show all details.

## 96177654 SEV.65.65.30.A.2.50D 50 Hz



Note! All units are in [mm] unless others are stated.  
Disclaimer: This simplified dimensional drawing does not show all details.