
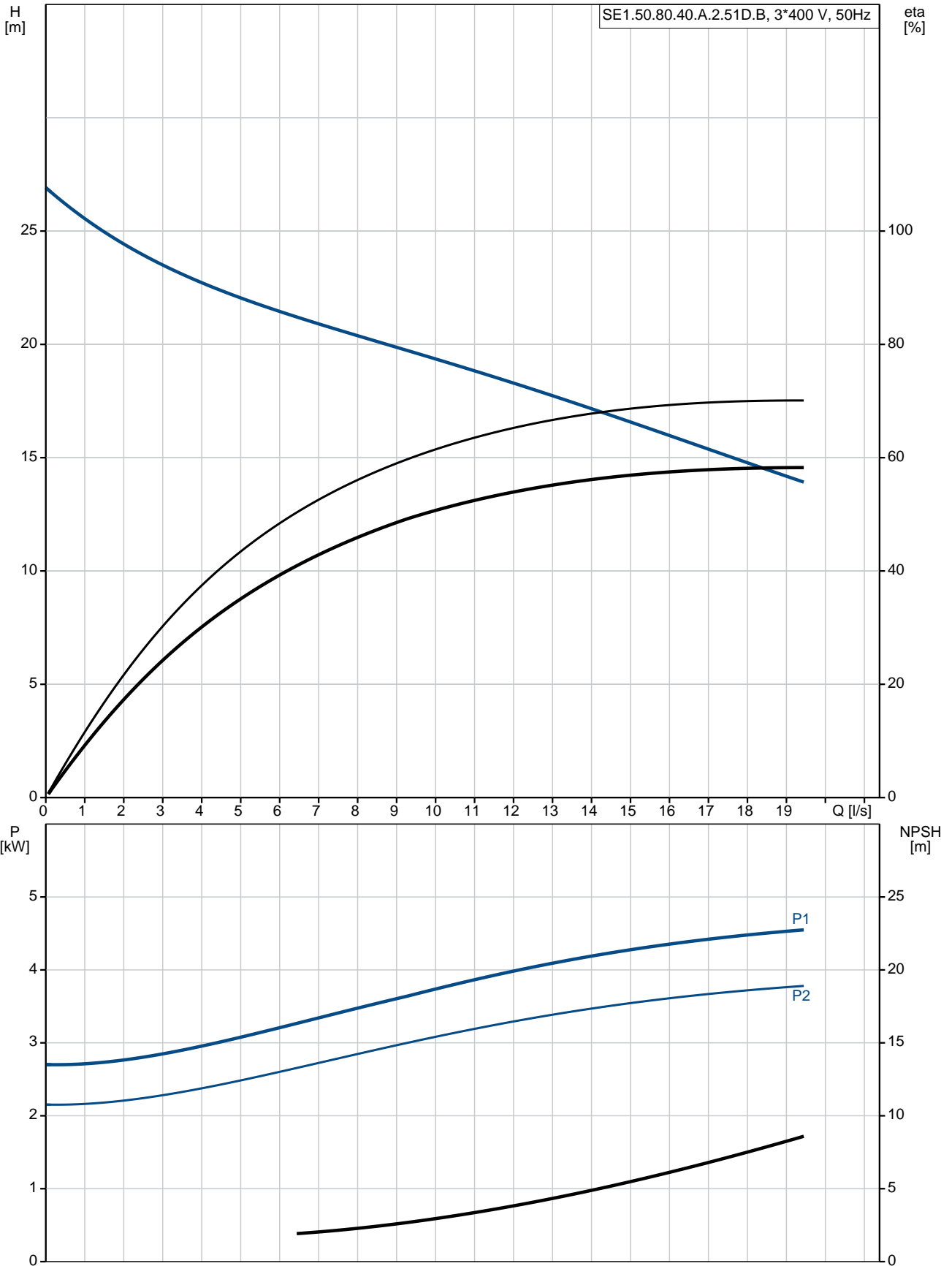


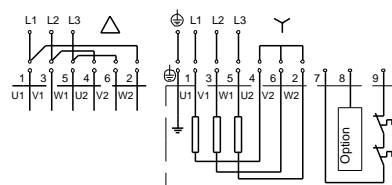
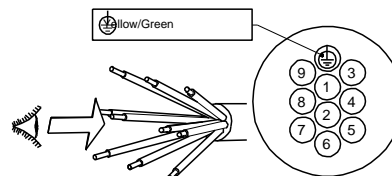
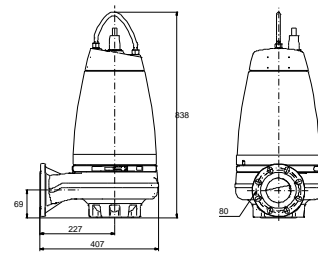
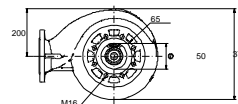
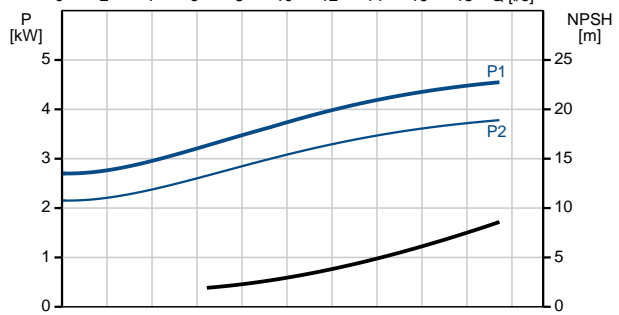
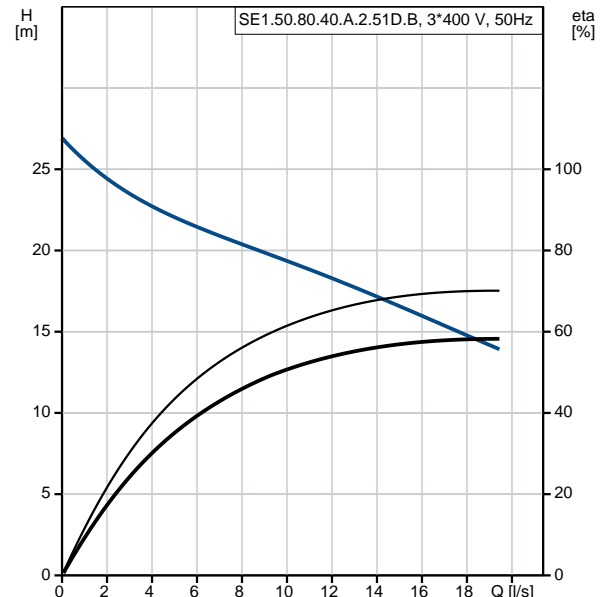
Qty.	Description																																																		
1	<p data-bbox="199 338 478 369">SE1.50.80.40.A.2.51D.B</p> <div data-bbox="226 383 560 663">  </div> <p data-bbox="592 640 1075 667">Note! Product picture may differ from actual product</p> <p data-bbox="199 674 469 701">Product No.: 96177634</p> <p data-bbox="199 730 1458 786">Non-self-priming, single-stage, centrifugal pump designed for handling wastewater, process water and unscreened raw sewage.</p> <p data-bbox="199 790 1437 891">The pump is designed for intermittent and continuous operation. The liquidless and maintenance free cooling system ensures that the pump can be used for submerged or dry installation. The revolutionary S-tube® impeller provides free spherical passage of solids up to 50 mm and is suitable for wastewater with a dry matter content of up to 3 %.</p> <p data-bbox="199 904 1401 958">A unique stainless-steel clamp assembling system enables quick and easy disassembly of the pump from the motor unit for service and inspection. No special tools are required. Pipework connection is via a DIN flange.</p> <p data-bbox="199 1021 316 1048">Controls:</p> <table data-bbox="199 1050 820 1137"> <tr> <td>Moisture sensor:</td> <td>with moisture sensors</td> </tr> <tr> <td>Water-in-oil sensor:</td> <td>with water-in-oil sensor</td> </tr> <tr> <td>Temp. sensor:</td> <td>Y</td> </tr> </table> <p data-bbox="199 1171 288 1198">Liquid:</p> <table data-bbox="199 1200 799 1288"> <tr> <td>Pumped liquid:</td> <td>Any Newtonian liquid</td> </tr> <tr> <td>Liquid temperature range:</td> <td>0 .. 40 °C</td> </tr> <tr> <td>Density:</td> <td>998.2 kg/m³</td> </tr> </table> <p data-bbox="199 1319 328 1346">Technical:</p> <table data-bbox="199 1348 810 1554"> <tr> <td>Type of impeller:</td> <td>S-TUBE</td> </tr> <tr> <td>Maximum particle size:</td> <td>50 mm</td> </tr> <tr> <td>Primary shaft seal:</td> <td>SIC/SIC</td> </tr> <tr> <td>Secondary shaft seal:</td> <td>CARBON/CERAMICS</td> </tr> <tr> <td>Max. hydraulic efficiency:</td> <td>68 %</td> </tr> <tr> <td>Approvals on nameplate:</td> <td>EN12050-2</td> </tr> <tr> <td>Curve tolerance:</td> <td>ISO9906:2012 3B2</td> </tr> </table> <p data-bbox="199 1585 320 1612">Materials:</p> <table data-bbox="199 1615 807 1673"> <tr> <td>Pump housing:</td> <td>EN 1561 EN-GJL-250</td> </tr> <tr> <td>Impeller:</td> <td>Cast iron</td> </tr> </table> <p data-bbox="199 1704 344 1731">Installation:</p> <table data-bbox="199 1733 638 1881"> <tr> <td>Maximum operating pressure:</td> <td>6 bar</td> </tr> <tr> <td>Flange standard:</td> <td>DIN</td> </tr> <tr> <td>Pump outlet:</td> <td>DN 80</td> </tr> <tr> <td>Pressure rating:</td> <td>PN 10</td> </tr> <tr> <td>Maximum installation depth:</td> <td>20 m</td> </tr> </table> <p data-bbox="199 1912 381 1939">Electrical data:</p> <table data-bbox="199 1942 722 2089"> <tr> <td>Power input - P1:</td> <td>4.8 kW</td> </tr> <tr> <td>Rated power - P2:</td> <td>4 kW</td> </tr> <tr> <td>Mains frequency:</td> <td>50 Hz</td> </tr> <tr> <td>Rated voltage:</td> <td>3 x 380-415 V</td> </tr> <tr> <td>Voltage tolerance:</td> <td>+6/-10 %</td> </tr> </table>	Moisture sensor:	with moisture sensors	Water-in-oil sensor:	with water-in-oil sensor	Temp. sensor:	Y	Pumped liquid:	Any Newtonian liquid	Liquid temperature range:	0 .. 40 °C	Density:	998.2 kg/m ³	Type of impeller:	S-TUBE	Maximum particle size:	50 mm	Primary shaft seal:	SIC/SIC	Secondary shaft seal:	CARBON/CERAMICS	Max. hydraulic efficiency:	68 %	Approvals on nameplate:	EN12050-2	Curve tolerance:	ISO9906:2012 3B2	Pump housing:	EN 1561 EN-GJL-250	Impeller:	Cast iron	Maximum operating pressure:	6 bar	Flange standard:	DIN	Pump outlet:	DN 80	Pressure rating:	PN 10	Maximum installation depth:	20 m	Power input - P1:	4.8 kW	Rated power - P2:	4 kW	Mains frequency:	50 Hz	Rated voltage:	3 x 380-415 V	Voltage tolerance:	+6/-10 %
Moisture sensor:	with moisture sensors																																																		
Water-in-oil sensor:	with water-in-oil sensor																																																		
Temp. sensor:	Y																																																		
Pumped liquid:	Any Newtonian liquid																																																		
Liquid temperature range:	0 .. 40 °C																																																		
Density:	998.2 kg/m ³																																																		
Type of impeller:	S-TUBE																																																		
Maximum particle size:	50 mm																																																		
Primary shaft seal:	SIC/SIC																																																		
Secondary shaft seal:	CARBON/CERAMICS																																																		
Max. hydraulic efficiency:	68 %																																																		
Approvals on nameplate:	EN12050-2																																																		
Curve tolerance:	ISO9906:2012 3B2																																																		
Pump housing:	EN 1561 EN-GJL-250																																																		
Impeller:	Cast iron																																																		
Maximum operating pressure:	6 bar																																																		
Flange standard:	DIN																																																		
Pump outlet:	DN 80																																																		
Pressure rating:	PN 10																																																		
Maximum installation depth:	20 m																																																		
Power input - P1:	4.8 kW																																																		
Rated power - P2:	4 kW																																																		
Mains frequency:	50 Hz																																																		
Rated voltage:	3 x 380-415 V																																																		
Voltage tolerance:	+6/-10 %																																																		

Qty.	Description																																																										
	<table> <tr> <td>Max starts per. hour:</td> <td>20</td> </tr> <tr> <td>Rated current:</td> <td>8.7-8.5 A</td> </tr> <tr> <td>Rated current at 3/4 load:</td> <td>6.7 A</td> </tr> <tr> <td>Rated current at 1/2 load:</td> <td>5.4 A</td> </tr> <tr> <td>Starting current:</td> <td>71 A</td> </tr> <tr> <td>Rated current at no load:</td> <td>3.9 A</td> </tr> <tr> <td>Cos phi - power factor:</td> <td>0.84</td> </tr> <tr> <td>Cos phi - p.f. at no load:</td> <td>0.15</td> </tr> <tr> <td>Cos phi - p.f. at 3/4 load:</td> <td>0.78</td> </tr> <tr> <td>Cos phi - p.f. at 1/2 load:</td> <td>0.68</td> </tr> <tr> <td>Rated speed:</td> <td>2925 rpm</td> </tr> <tr> <td>Locked-rotor torque:</td> <td>40 Nm</td> </tr> <tr> <td>Breakdown torque:</td> <td>54 Nm</td> </tr> <tr> <td>Moment of inertia:</td> <td>0.019 kg m²</td> </tr> <tr> <td>Motor efficiency at full load:</td> <td>83.3 %</td> </tr> <tr> <td>Motor efficiency at 3/4 load:</td> <td>82.4 %</td> </tr> <tr> <td>Motor efficiency at 1/2 load:</td> <td>79.2 %</td> </tr> <tr> <td>Number of poles:</td> <td>2</td> </tr> <tr> <td>Start. method:</td> <td>star/delta</td> </tr> <tr> <td>Enclosure class (IEC 34-5):</td> <td>IP68</td> </tr> <tr> <td>Insulation class (IEC 85):</td> <td>F</td> </tr> <tr> <td>Explosion proof:</td> <td>no</td> </tr> <tr> <td>Length of cable:</td> <td>10 m</td> </tr> <tr> <td>Cable type:</td> <td>LYNIFLEX</td> </tr> <tr> <td>Type of cable plug:</td> <td>NO PLUG</td> </tr> <tr> <td colspan="2">Others:</td> </tr> <tr> <td>Net weight:</td> <td>124 kg</td> </tr> <tr> <td>Country of origin:</td> <td>HU</td> </tr> <tr> <td>Custom tariff no.:</td> <td>84137021</td> </tr> </table>	Max starts per. hour:	20	Rated current:	8.7-8.5 A	Rated current at 3/4 load:	6.7 A	Rated current at 1/2 load:	5.4 A	Starting current:	71 A	Rated current at no load:	3.9 A	Cos phi - power factor:	0.84	Cos phi - p.f. at no load:	0.15	Cos phi - p.f. at 3/4 load:	0.78	Cos phi - p.f. at 1/2 load:	0.68	Rated speed:	2925 rpm	Locked-rotor torque:	40 Nm	Breakdown torque:	54 Nm	Moment of inertia:	0.019 kg m ²	Motor efficiency at full load:	83.3 %	Motor efficiency at 3/4 load:	82.4 %	Motor efficiency at 1/2 load:	79.2 %	Number of poles:	2	Start. method:	star/delta	Enclosure class (IEC 34-5):	IP68	Insulation class (IEC 85):	F	Explosion proof:	no	Length of cable:	10 m	Cable type:	LYNIFLEX	Type of cable plug:	NO PLUG	Others:		Net weight:	124 kg	Country of origin:	HU	Custom tariff no.:	84137021
Max starts per. hour:	20																																																										
Rated current:	8.7-8.5 A																																																										
Rated current at 3/4 load:	6.7 A																																																										
Rated current at 1/2 load:	5.4 A																																																										
Starting current:	71 A																																																										
Rated current at no load:	3.9 A																																																										
Cos phi - power factor:	0.84																																																										
Cos phi - p.f. at no load:	0.15																																																										
Cos phi - p.f. at 3/4 load:	0.78																																																										
Cos phi - p.f. at 1/2 load:	0.68																																																										
Rated speed:	2925 rpm																																																										
Locked-rotor torque:	40 Nm																																																										
Breakdown torque:	54 Nm																																																										
Moment of inertia:	0.019 kg m ²																																																										
Motor efficiency at full load:	83.3 %																																																										
Motor efficiency at 3/4 load:	82.4 %																																																										
Motor efficiency at 1/2 load:	79.2 %																																																										
Number of poles:	2																																																										
Start. method:	star/delta																																																										
Enclosure class (IEC 34-5):	IP68																																																										
Insulation class (IEC 85):	F																																																										
Explosion proof:	no																																																										
Length of cable:	10 m																																																										
Cable type:	LYNIFLEX																																																										
Type of cable plug:	NO PLUG																																																										
Others:																																																											
Net weight:	124 kg																																																										
Country of origin:	HU																																																										
Custom tariff no.:	84137021																																																										

96177634 SE1.50.80.40.A.2.51D.B 50 Hz



Description	Value
General information:	
Product name:	SE1.50.80.40.A.2.51D.B
Product No:	96177634
EAN number:	5700830441688
	5700830441688
Price:	4.095,00 GBP
Technical:	
Max flow:	19.4 l/s
Head max:	26.9 m
Type of impeller:	S-TUBE
Maximum particle size:	50 mm
Primary shaft seal:	SIC/SIC
Secondary shaft seal:	CARBON/CERAMICS
Max. hydraulic efficiency:	68 %
Approvals on nameplate:	EN12050-2
Curve tolerance:	ISO9906:2012 3B2
Cooling jacket:	with cooling jacket
Materials:	
Pump housing:	EN 1561 EN-GJL-250
Impeller:	Cast iron
Installation:	
Maximum operating pressure:	6 bar
Flange standard:	DIN
Pump outlet:	DN 80
Pressure rating:	PN 10
Maximum installation depth:	20 m
Inst dry/wet:	DRY/SUBMERGED
Installation:	horizontal or vertical
Liquid:	
Pumped liquid:	Any Newtonian liquid
Liquid temperature range:	0 .. 40 °C
Density:	998.2 kg/m ³
Electrical data:	
Power input - P1:	4.8 kW
Rated power - P2:	4 kW
Mains frequency:	50 Hz
Rated voltage:	3 x 380-415 V
Voltage tolerance:	+6/-10 %
Max starts per. hour:	20
Rated current:	8.7-8.5 A
Rated current at 3/4 load:	6.7 A
Rated current at 1/2 load:	5.4 A
Starting current:	71 A
Rated current at no load:	3.9 A
Cos phi - power factor:	0.84
Cos phi - p.f. at no load:	0.15
Cos phi - p.f. at 3/4 load:	0.78
Cos phi - p.f. at 1/2 load:	0.68
Rated speed:	2925 rpm
Locked-rotor torque:	40 Nm
Breakdown torque:	54 Nm
Moment of inertia:	0.019 kg m ²
Motor efficiency at full load:	83.3 %
Motor efficiency at 3/4 load:	82.4 %
Motor efficiency at 1/2 load:	79.2 %
Number of poles:	2
Start. method:	star/delta
Enclosure class (IEC 34-5):	IP68





Company name:

Created by:

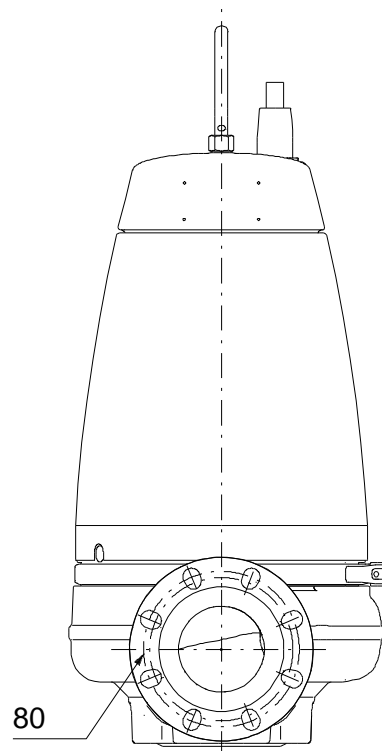
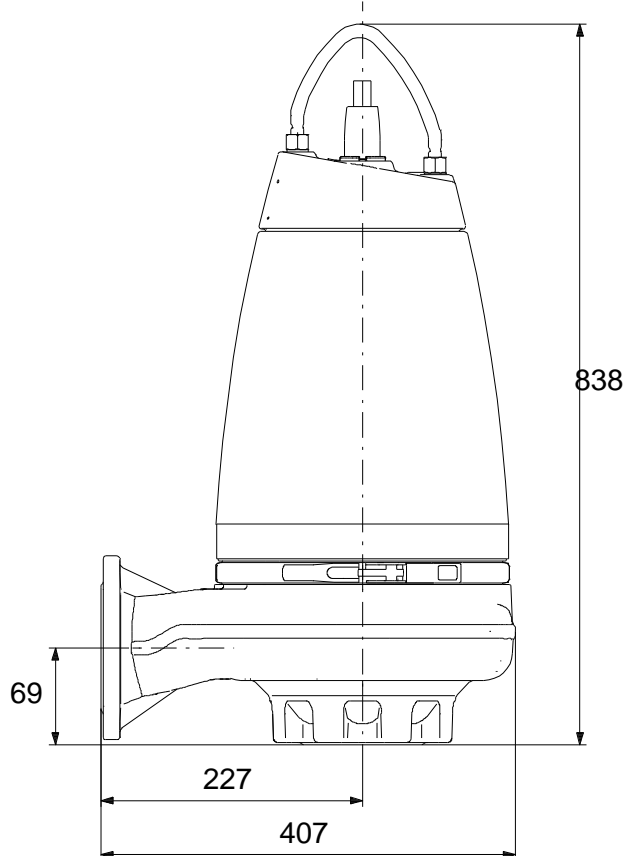
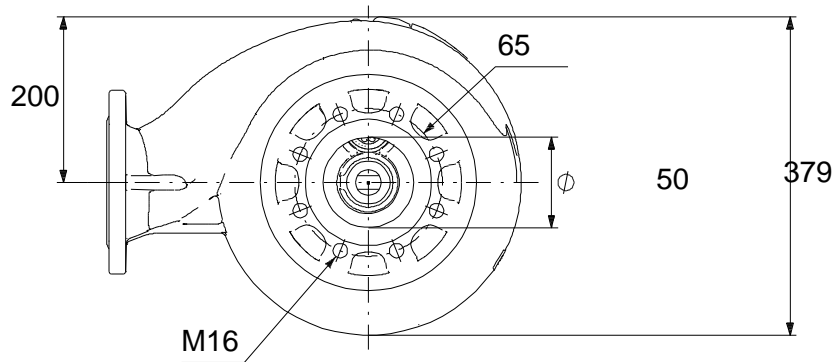
Phone:

Date:

23/01/2020

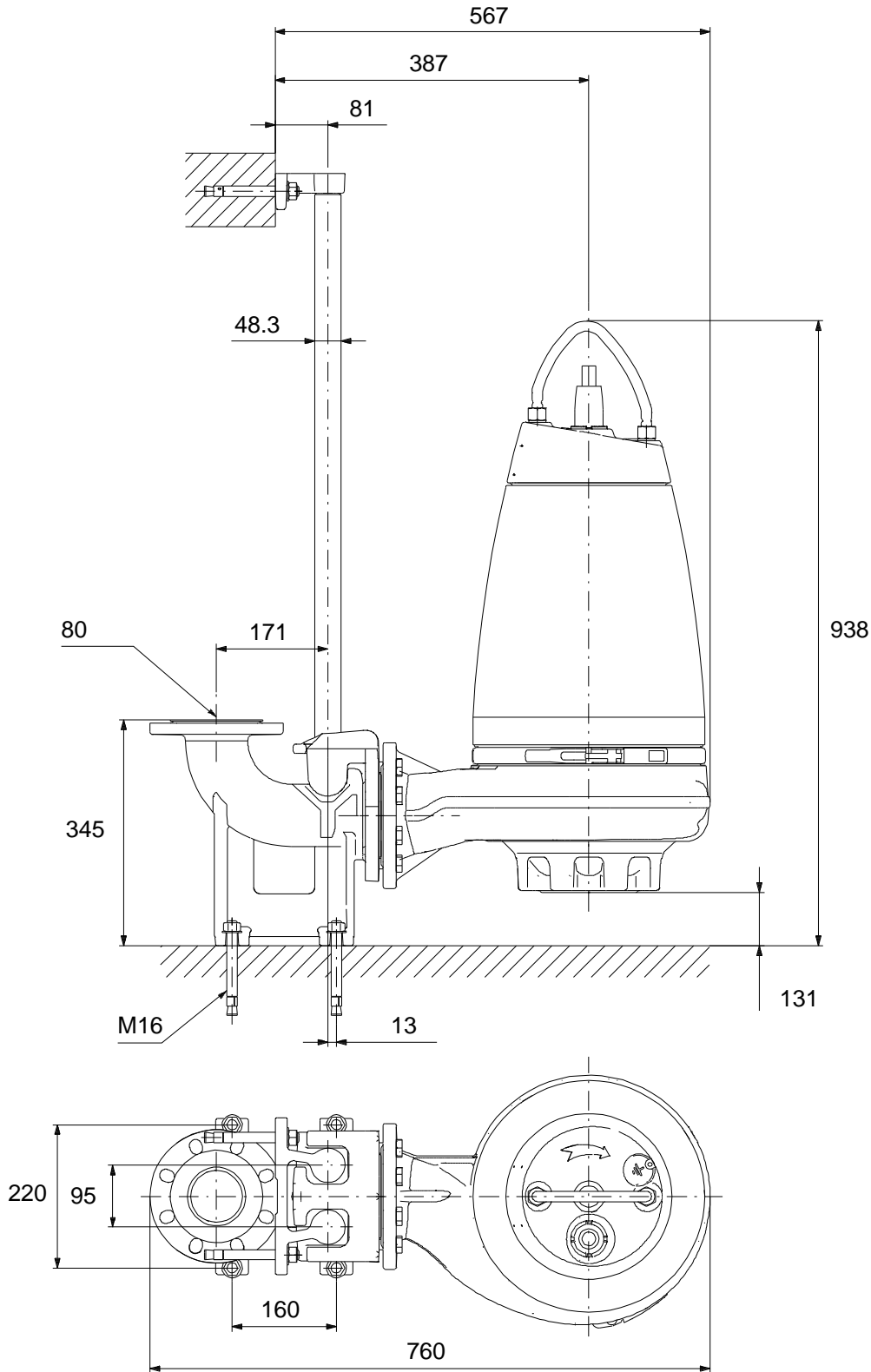
Description	Value
Insulation class (IEC 85):	F
Explosion proof:	no
Motor protec:	THERMAL SWITCH
Thermal protec:	internal
Length of cable:	10 m
Cable type:	LYNIFLEX
Type of cable plug:	NO PLUG
Controls:	
Control box:	not included
Moisture sensor:	with moisture sensors
Water-in-oil sensor:	with water-in-oil sensor
Temp. sensor:	Y
Others:	
Net weight:	124 kg
Country of origin:	HU
Custom tariff no.:	84137021

96177634 SE1.50.80.40.A.2.51D.B 50 Hz



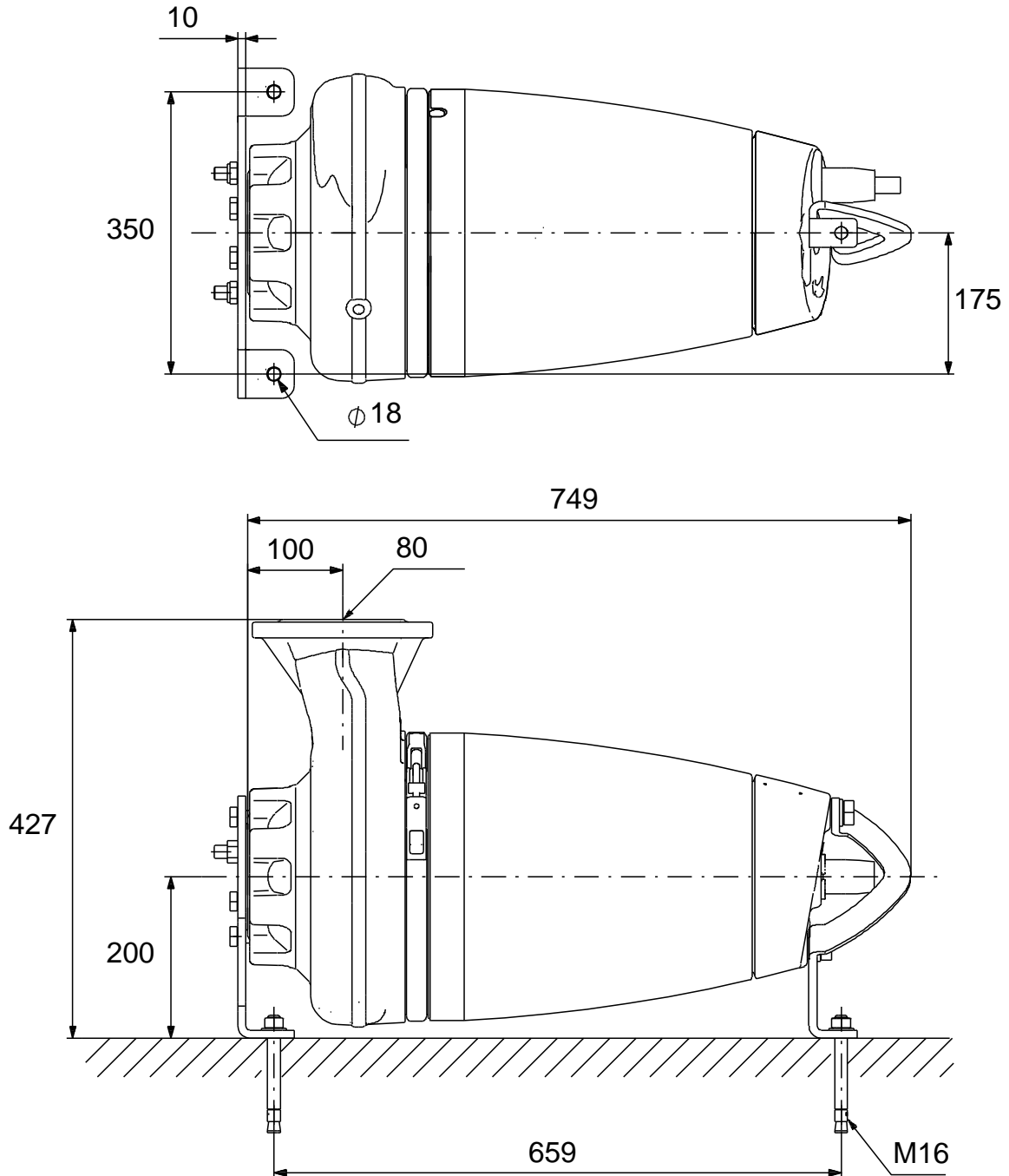
Note! All units are in [mm] unless others are stated.
Disclaimer: This simplified dimensional drawing does not show all details.

96177634 SE1.50.80.40.A.2.51D.B 50 Hz



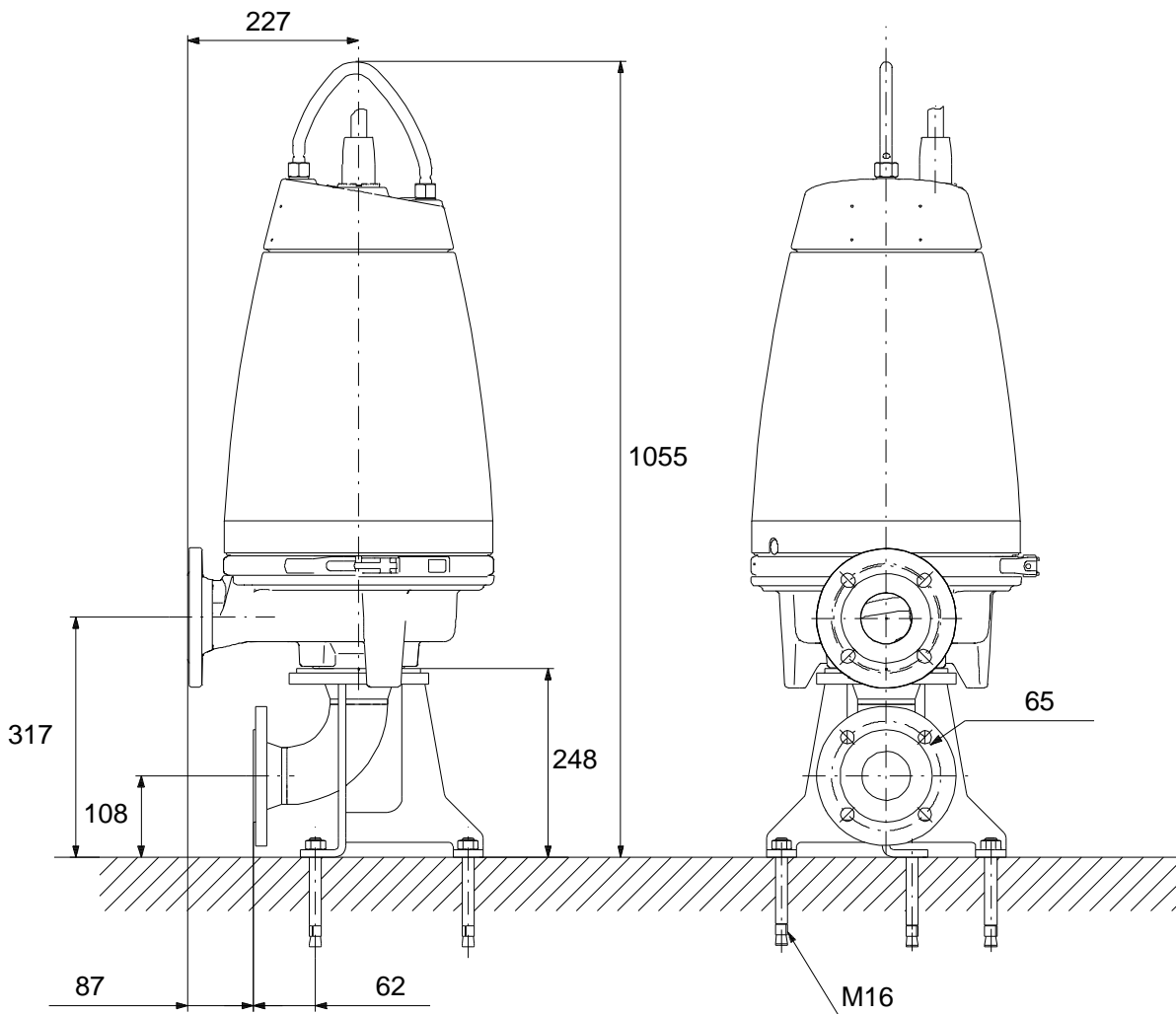
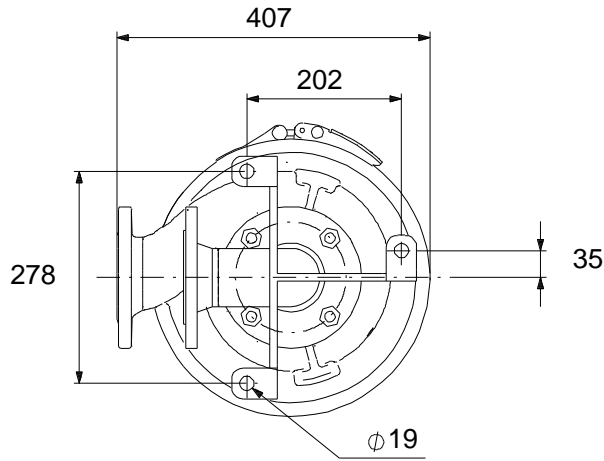
Note! All units are in [mm] unless others are stated.
Disclaimer: This simplified dimensional drawing does not show all details.

96177634 SE1.50.80.40.A.2.51D.B 50 Hz



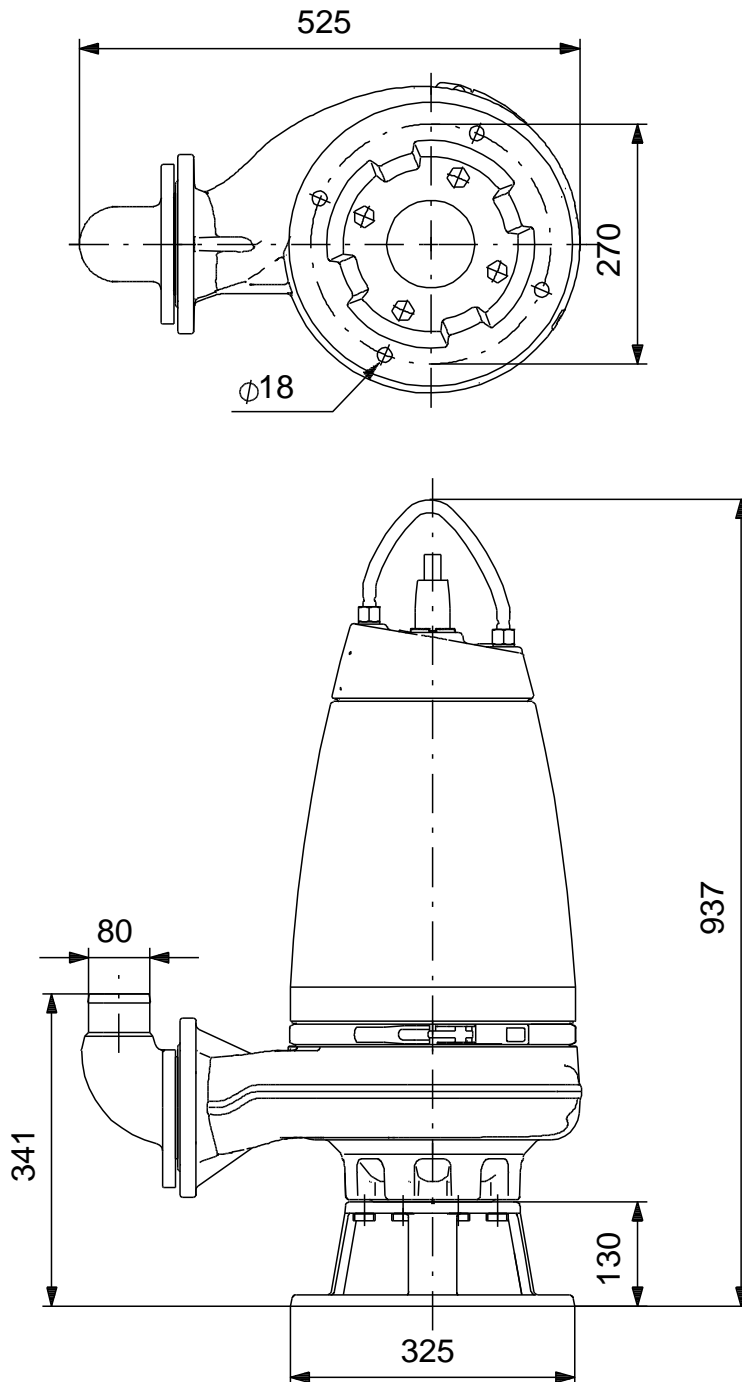
Note! All units are in [mm] unless others are stated.
Disclaimer: This simplified dimensional drawing does not show all details.

96177634 SE1.50.80.40.A.2.51D.B 50 Hz



Note! All units are in [mm] unless others are stated.
Disclaimer: This simplified dimensional drawing does not show all details.

96177634 SE1.50.80.40.A.2.51D.B 50 Hz



Note! All units are in [mm] unless others are stated.
Disclaimer: This simplified dimensional drawing does not show all details.