
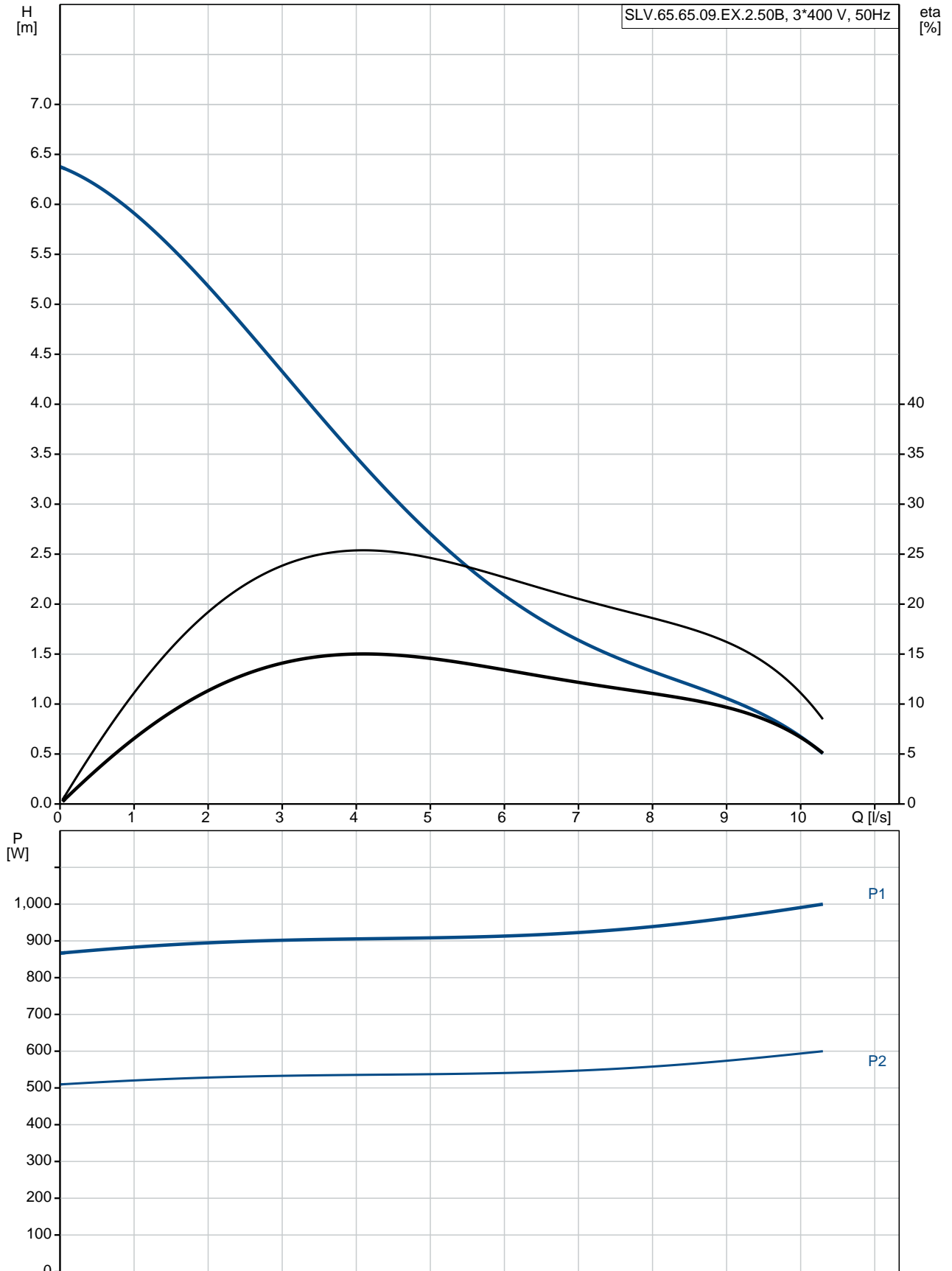


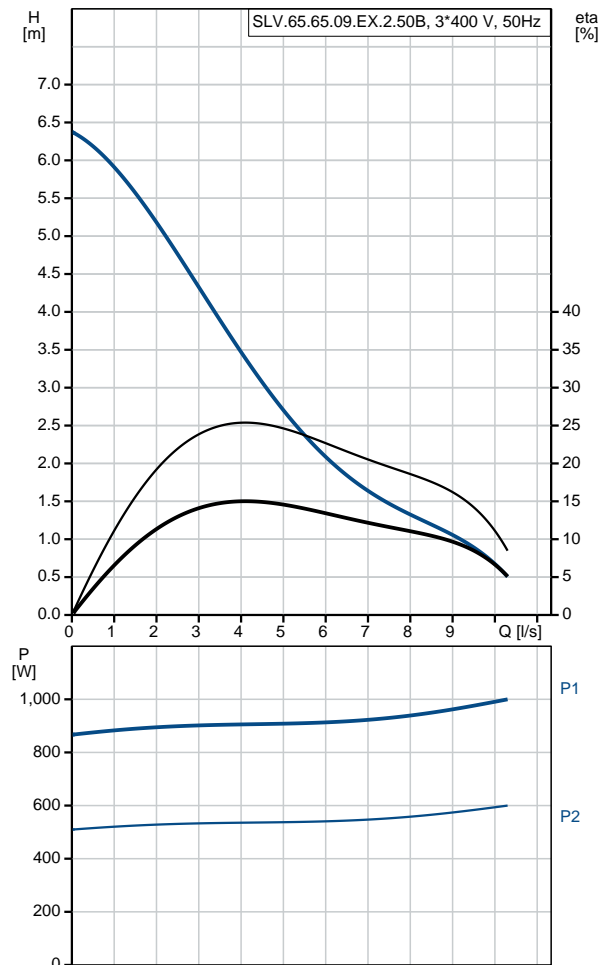
| Position | Qty. | Description | | | | | | | | | | | | | | | | | | | | | | | | | | | | | | | | | | | | | | | | | | | | | | | | | | | | |
|------------------------------|-----------------------------|--------------------------------------------------------------------------------------------------------------------------------------------------------------------------------------------------------------------------------------------------------------------------------------------------------------------------------------------------------------------------------------------------------------------------------------------------------------------------------------------------------------------------------------------------------------------------------------------------------------------------------------------------------------------------------------------------------------------------------------------------------------------------------------------------------------------------------------------------------------------------------------------------------------------------------------------------------------------------------------------------------------------------------------------------------------------------------------------------------------------------------------------------------------------------------------------------------------------------------------------------------------------------------------------------------------------------------------------------------------------------------------------------------------------------------------------------------------------------------------------------------------------------------------------------------------------------------------------------------------------------------------------------------------------------------------------------------------------------------------------------------------------------------------------------------------------------------------------------------------------------------------------------------------------------------------------------------------------------------------------------------------------------------------------------------------------------------------------------------------------------------------------------------------------------------------------------------------------------------------------------------------------------------------------------------------------------------------------------------------------------------------------------------------------------------------------------------------------------------------------------------------------------------------------------------------------------------------------------------------------------------------------------------------|------------------|--------------------------|----------------------|-----------------------------|----------------|----------------------|-----------------------------|-------|----------|-------------------------|-------------------|--------------|------------------------|-------|---------------------|---------|-----------------------|---------|-------------------------|-----------------|------------------|------------------|---------------|------------|--|------------|-----------|--------------|--|--------------|--------|------------|------------------------------|-------|------------------|-----|--------------|----|------------------|------|-----------------------------|------|-------------------|--------|-------------------|--------|------------------|-------|----------------|---------------|--------------------|----------|
| | 1 | <p>SLV.65.65.09.EX.2.50B</p>  <p>Product No.: 96115124</p> <p>Non-self-priming, single-stage, centrifugal pump designed for handling wastewater, process water and unscreened raw sewage.</p> <p>The pump is designed for intermittent and continuous operations in submerged installation. The efficient SuperVortex impeller provides passage of long fibres and solids up to 65 mm and is suitable for wastewater with a dry matter content of up to 5 %.</p> <p>A unique stainless-steel clamp assembling system enables quick and easy disassembly of the pump from the motor unit for service and inspection. No special tools are required. Pipework connection is via a DIN flange.</p> <p>The pump is explosion-proof.</p> <p>Controls:</p> <table> <tr> <td>Moisture sensor:</td> <td>without moisture sensors</td> </tr> <tr> <td>Water-in-oil sensor:</td> <td>without water-in-oil sensor</td> </tr> </table> <p>Liquid:</p> <table> <tr> <td>Pumped liquid:</td> <td>Any Newtonian liquid</td> </tr> <tr> <td>Maximum liquid temperature:</td> <td>40 °C</td> </tr> <tr> <td>Density:</td> <td>998.2 kg/m³</td> </tr> </table> <p>Technical:</p> <table> <tr> <td>Type of impeller:</td> <td>SUPER VORTEX</td> </tr> <tr> <td>Maximum particle size:</td> <td>65 mm</td> </tr> <tr> <td>Primary shaft seal:</td> <td>SIC/SIC</td> </tr> <tr> <td>Secondary shaft seal:</td> <td>LIPSEAL</td> </tr> <tr> <td>Approvals on nameplate:</td> <td>CE 0344-Ex-II26</td> </tr> <tr> <td>Curve tolerance:</td> <td>ISO9906:2012 3B2</td> </tr> </table> <p>Materials:</p> <table> <tr> <td>Pump housing:</td> <td>EN-GJL-200</td> </tr> <tr> <td></td> <td>EN-GJL-200</td> </tr> <tr> <td>Impeller:</td> <td>EN-GJS-500-7</td> </tr> <tr> <td></td> <td>EN-GJS-500-7</td> </tr> <tr> <td>Motor:</td> <td>EN-GJL-200</td> </tr> </table> <p>Installation:</p> <table> <tr> <td>Maximum ambient temperature:</td> <td>40 °C</td> </tr> <tr> <td>Flange standard:</td> <td>DIN</td> </tr> <tr> <td>Pump outlet:</td> <td>65</td> </tr> <tr> <td>Pressure rating:</td> <td>PN10</td> </tr> <tr> <td>Maximum installation depth:</td> <td>10 m</td> </tr> </table> <p>Electrical data:</p> <table> <tr> <td>Power input - P1:</td> <td>1.4 kW</td> </tr> <tr> <td>Rated power - P2:</td> <td>0.9 kW</td> </tr> <tr> <td>Mains frequency:</td> <td>50 Hz</td> </tr> <tr> <td>Rated voltage:</td> <td>3 x 400-415 V</td> </tr> <tr> <td>Voltage tolerance:</td> <td>+6/-10 %</td> </tr> </table> | Moisture sensor: | without moisture sensors | Water-in-oil sensor: | without water-in-oil sensor | Pumped liquid: | Any Newtonian liquid | Maximum liquid temperature: | 40 °C | Density: | 998.2 kg/m ³ | Type of impeller: | SUPER VORTEX | Maximum particle size: | 65 mm | Primary shaft seal: | SIC/SIC | Secondary shaft seal: | LIPSEAL | Approvals on nameplate: | CE 0344-Ex-II26 | Curve tolerance: | ISO9906:2012 3B2 | Pump housing: | EN-GJL-200 | | EN-GJL-200 | Impeller: | EN-GJS-500-7 | | EN-GJS-500-7 | Motor: | EN-GJL-200 | Maximum ambient temperature: | 40 °C | Flange standard: | DIN | Pump outlet: | 65 | Pressure rating: | PN10 | Maximum installation depth: | 10 m | Power input - P1: | 1.4 kW | Rated power - P2: | 0.9 kW | Mains frequency: | 50 Hz | Rated voltage: | 3 x 400-415 V | Voltage tolerance: | +6/-10 % |
| Moisture sensor: | without moisture sensors | | | | | | | | | | | | | | | | | | | | | | | | | | | | | | | | | | | | | | | | | | | | | | | | | | | | | |
| Water-in-oil sensor: | without water-in-oil sensor | | | | | | | | | | | | | | | | | | | | | | | | | | | | | | | | | | | | | | | | | | | | | | | | | | | | | |
| Pumped liquid: | Any Newtonian liquid | | | | | | | | | | | | | | | | | | | | | | | | | | | | | | | | | | | | | | | | | | | | | | | | | | | | | |
| Maximum liquid temperature: | 40 °C | | | | | | | | | | | | | | | | | | | | | | | | | | | | | | | | | | | | | | | | | | | | | | | | | | | | | |
| Density: | 998.2 kg/m ³ | | | | | | | | | | | | | | | | | | | | | | | | | | | | | | | | | | | | | | | | | | | | | | | | | | | | | |
| Type of impeller: | SUPER VORTEX | | | | | | | | | | | | | | | | | | | | | | | | | | | | | | | | | | | | | | | | | | | | | | | | | | | | | |
| Maximum particle size: | 65 mm | | | | | | | | | | | | | | | | | | | | | | | | | | | | | | | | | | | | | | | | | | | | | | | | | | | | | |
| Primary shaft seal: | SIC/SIC | | | | | | | | | | | | | | | | | | | | | | | | | | | | | | | | | | | | | | | | | | | | | | | | | | | | | |
| Secondary shaft seal: | LIPSEAL | | | | | | | | | | | | | | | | | | | | | | | | | | | | | | | | | | | | | | | | | | | | | | | | | | | | | |
| Approvals on nameplate: | CE 0344-Ex-II26 | | | | | | | | | | | | | | | | | | | | | | | | | | | | | | | | | | | | | | | | | | | | | | | | | | | | | |
| Curve tolerance: | ISO9906:2012 3B2 | | | | | | | | | | | | | | | | | | | | | | | | | | | | | | | | | | | | | | | | | | | | | | | | | | | | | |
| Pump housing: | EN-GJL-200 | | | | | | | | | | | | | | | | | | | | | | | | | | | | | | | | | | | | | | | | | | | | | | | | | | | | | |
| | EN-GJL-200 | | | | | | | | | | | | | | | | | | | | | | | | | | | | | | | | | | | | | | | | | | | | | | | | | | | | | |
| Impeller: | EN-GJS-500-7 | | | | | | | | | | | | | | | | | | | | | | | | | | | | | | | | | | | | | | | | | | | | | | | | | | | | | |
| | EN-GJS-500-7 | | | | | | | | | | | | | | | | | | | | | | | | | | | | | | | | | | | | | | | | | | | | | | | | | | | | | |
| Motor: | EN-GJL-200 | | | | | | | | | | | | | | | | | | | | | | | | | | | | | | | | | | | | | | | | | | | | | | | | | | | | | |
| Maximum ambient temperature: | 40 °C | | | | | | | | | | | | | | | | | | | | | | | | | | | | | | | | | | | | | | | | | | | | | | | | | | | | | |
| Flange standard: | DIN | | | | | | | | | | | | | | | | | | | | | | | | | | | | | | | | | | | | | | | | | | | | | | | | | | | | | |
| Pump outlet: | 65 | | | | | | | | | | | | | | | | | | | | | | | | | | | | | | | | | | | | | | | | | | | | | | | | | | | | | |
| Pressure rating: | PN10 | | | | | | | | | | | | | | | | | | | | | | | | | | | | | | | | | | | | | | | | | | | | | | | | | | | | | |
| Maximum installation depth: | 10 m | | | | | | | | | | | | | | | | | | | | | | | | | | | | | | | | | | | | | | | | | | | | | | | | | | | | | |
| Power input - P1: | 1.4 kW | | | | | | | | | | | | | | | | | | | | | | | | | | | | | | | | | | | | | | | | | | | | | | | | | | | | | |
| Rated power - P2: | 0.9 kW | | | | | | | | | | | | | | | | | | | | | | | | | | | | | | | | | | | | | | | | | | | | | | | | | | | | | |
| Mains frequency: | 50 Hz | | | | | | | | | | | | | | | | | | | | | | | | | | | | | | | | | | | | | | | | | | | | | | | | | | | | | |
| Rated voltage: | 3 x 400-415 V | | | | | | | | | | | | | | | | | | | | | | | | | | | | | | | | | | | | | | | | | | | | | | | | | | | | | |
| Voltage tolerance: | +6/-10 % | | | | | | | | | | | | | | | | | | | | | | | | | | | | | | | | | | | | | | | | | | | | | | | | | | | | | |

| Position | Qty. | Description |
|----------|------|-----------------------------------------------------------------------------------------------------------------------------------------------------------------------------------------------------------------------------------------------------------------------------------------------------------------------------------------------------------------------------------------------------------------------------------------------------------------------------------------------------------------------------------------------------------------------------------------------------------------------------------------------------------------------------------------------------------------------------------------------------------------------------------------------------------------------------------------------------------|
| | | <p>Max starts per. hour: 30</p> <p>Rated current: 2.8-2.8 A</p> <p>Rated current at 3/4 load: 2.5 A</p> <p>Rated current at 1/2 load: 2.1 A</p> <p>Starting current: 21 A</p> <p>Rated current at no load: 1.9 A</p> <p>Cos phi - power factor: 0.76</p> <p>Cos phi - p.f. at 3/4 load: 0.68</p> <p>Cos phi - p.f. at 1/2 load: 0.58</p> <p>Rated speed: 2870 rpm</p> <p>Motor efficiency at full load: 65 %</p> <p>Motor efficiency at 3/4 load: 61 %</p> <p>Motor efficiency at 1/2 load: 58 %</p> <p>Start. method: direct-on-line</p> <p>Enclosure class (IEC 34-5): IP68</p> <p>Insulation class (IEC 85): F</p> <p>Explosion proof: yes</p> <p>Length of cable: 10 m</p> <p>Cable type: H07RN-F</p> <p>Others:</p> <p>Net weight: 48 kg</p> <p>Danish VVS No.: 391297513</p> <p>Country of origin: HU</p> <p>Custom tariff no.: 84137021</p> |

96115124 SLV.65.65.09.EX.2.50B 50 Hz



| Description | Value |
|--------------------------------|--------------------------|
| General information: | |
| Product name: | SLV.65.65.09.EX.2.50B |
| Product No: | 96115124 |
| EAN number: | 5700396855165 |
| Price: | 1.139,00 GBP |
| Technical: | |
| Max flow: | 6.81 l/s |
| Head max: | 7.5 m |
| Type of impeller: | SUPER VORTEX |
| Maximum particle size: | 65 mm |
| Primary shaft seal: | SIC/SIC |
| Secondary shaft seal: | LIPSEAL |
| Approvals on nameplate: | CE 0344-Ex-II26 |
| Curve tolerance: | ISO9906:2012 3B2 |
| Cooling jacket: | without cooling jacket |
| Materials: | |
| Pump housing: | EN-GJL-200 |
| | EN-GJL-200 |
| Impeller: | EN-GJS-500-7 |
| | EN-GJS-500-7 |
| Motor: | EN-GJL-200 |
| Installation: | |
| Maximum ambient temperature: | 40 °C |
| Flange standard: | DIN |
| Pump outlet: | 65 |
| Pressure rating: | PN10 |
| Maximum installation depth: | 10 m |
| Inst dry/wet: | SUBMERGED |
| Installation: | Vertical |
| Liquid: | |
| Pumped liquid: | Any Newtonian liquid |
| Maximum liquid temperature: | 40 °C |
| Density: | 998.2 kg/m ³ |
| Electrical data: | |
| Power input - P1: | 1.4 kW |
| Rated power - P2: | 0.9 kW |
| Mains frequency: | 50 Hz |
| Rated voltage: | 3 x 400-415 V |
| Voltage tolerance: | +6/-10 % |
| Max starts per. hour: | 30 |
| Rated current: | 2.8-2.8 A |
| Rated current at 3/4 load: | 2.5 A |
| Rated current at 1/2 load: | 2.1 A |
| Starting current: | 21 A |
| Rated current at no load: | 1.9 A |
| Cos phi - power factor: | 0.76 |
| Cos phi - p.f. at 3/4 load: | 0.68 |
| Cos phi - p.f. at 1/2 load: | 0.58 |
| Rated speed: | 2870 rpm |
| Motor efficiency at full load: | 65 % |
| Motor efficiency at 3/4 load: | 61 % |
| Motor efficiency at 1/2 load: | 58 % |
| Start. method: | direct-on-line |
| Enclosure class (IEC 34-5): | IP68 |
| Insulation class (IEC 85): | F |
| Explosion proof: | yes |
| Motor protec: | THERMAL SWITCH |
| Length of cable: | 10 m |





Company name:

Created by:

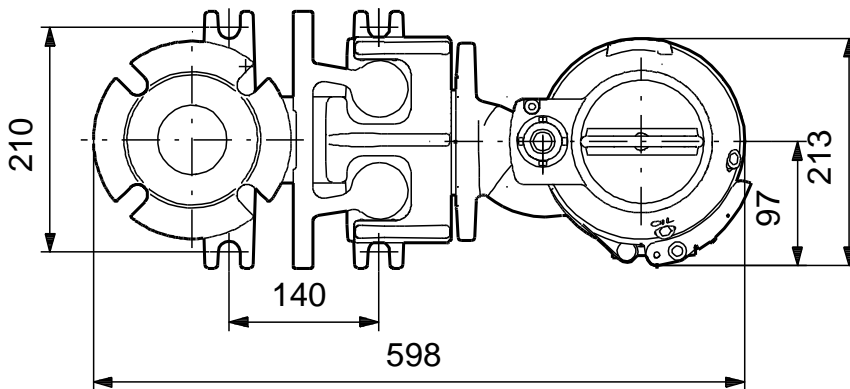
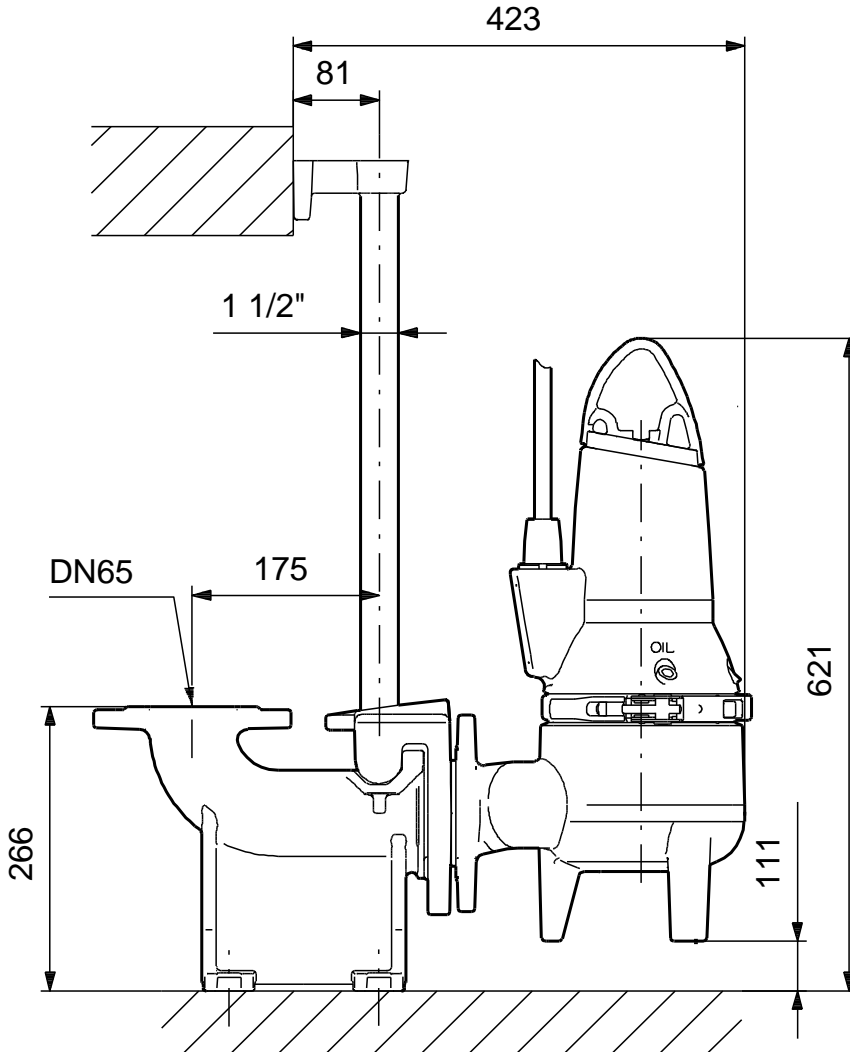
Phone:

Date:

20/11/2018

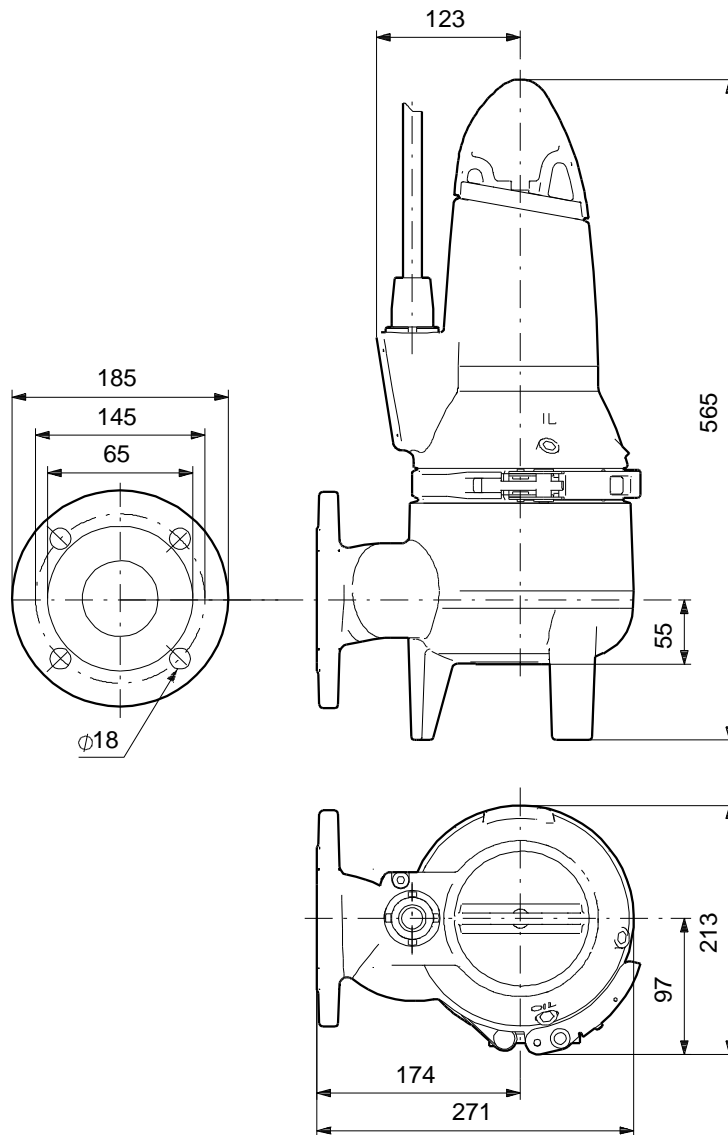
| Description | Value |
|----------------------|-----------------------------|
| Cable type: | H07RN-F |
| Controls: | |
| Control box: | not included |
| Moisture sensor: | without moisture sensors |
| Water-in-oil sensor: | without water-in-oil sensor |
| Others: | |
| Net weight: | 48 kg |
| Danish VVS No.: | 391297513 |
| Country of origin: | HU |
| Custom tariff no.: | 84137021 |

96115124 SLV.65.65.09.EX.2.50B 50 Hz



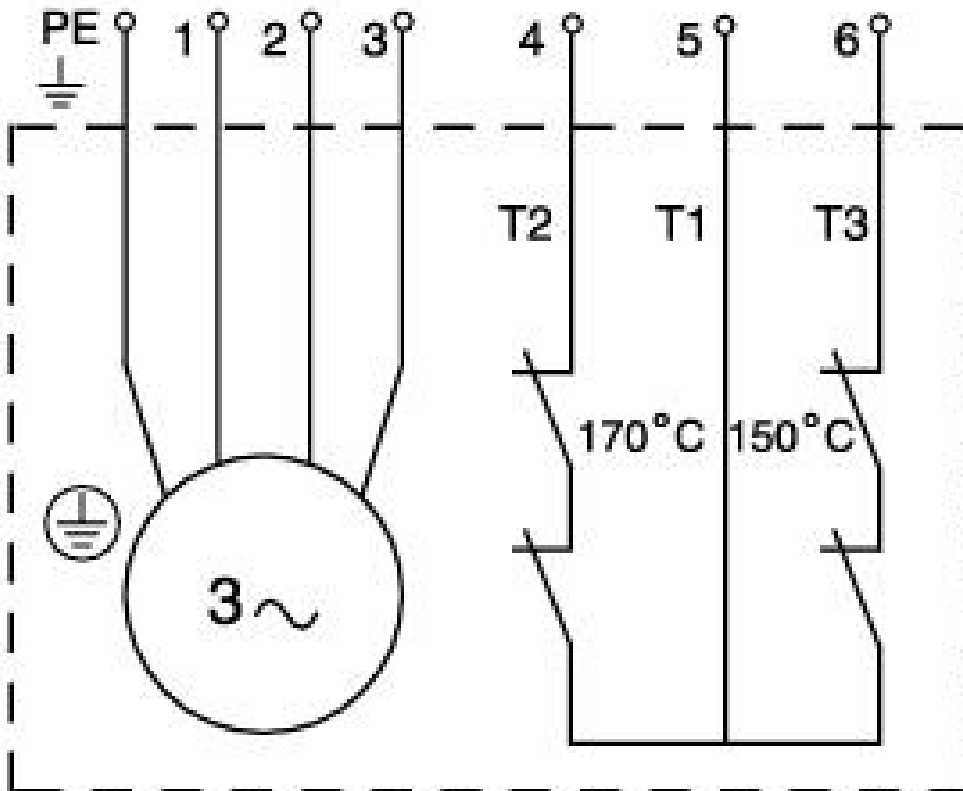
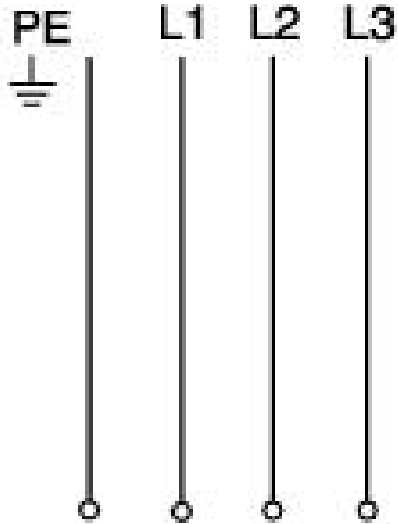
Note! All units are in [mm] unless others are stated.
Disclaimer: This simplified dimensional drawing does not show all details.

96115124 SLV.65.65.09.EX.2.50B 50 Hz



Note! All units are in [mm] unless others are stated.
Disclaimer: This simplified dimensional drawing does not show all details.

96115124 SLV.65.65.09.EX.2.50B 50 Hz



Note! All units are in [mm] unless others are stated.