
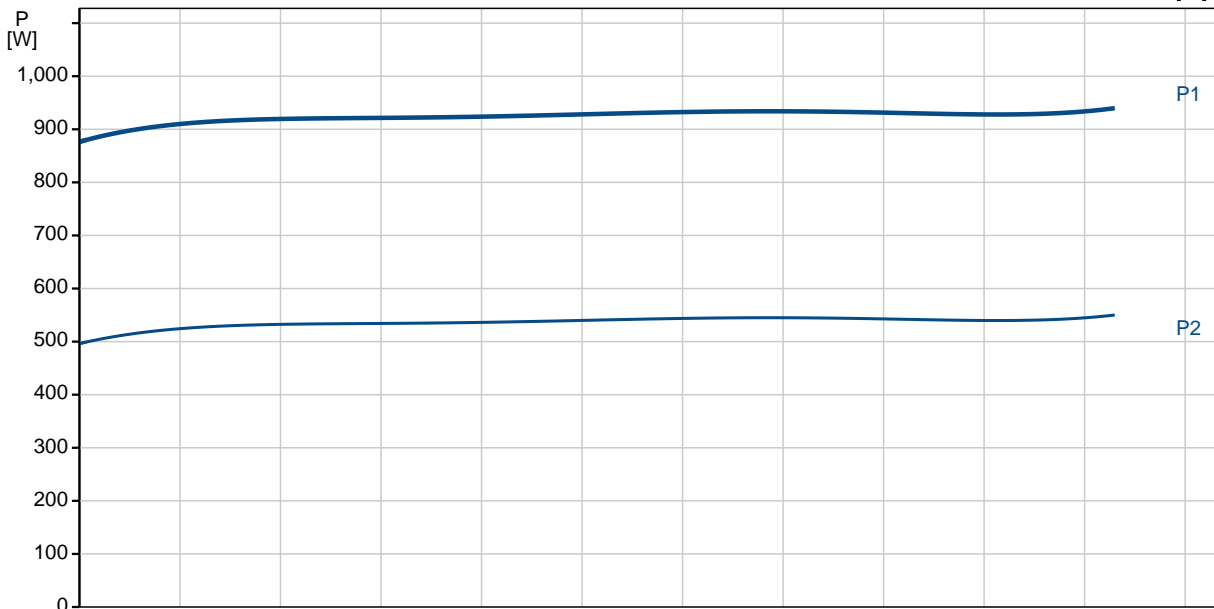
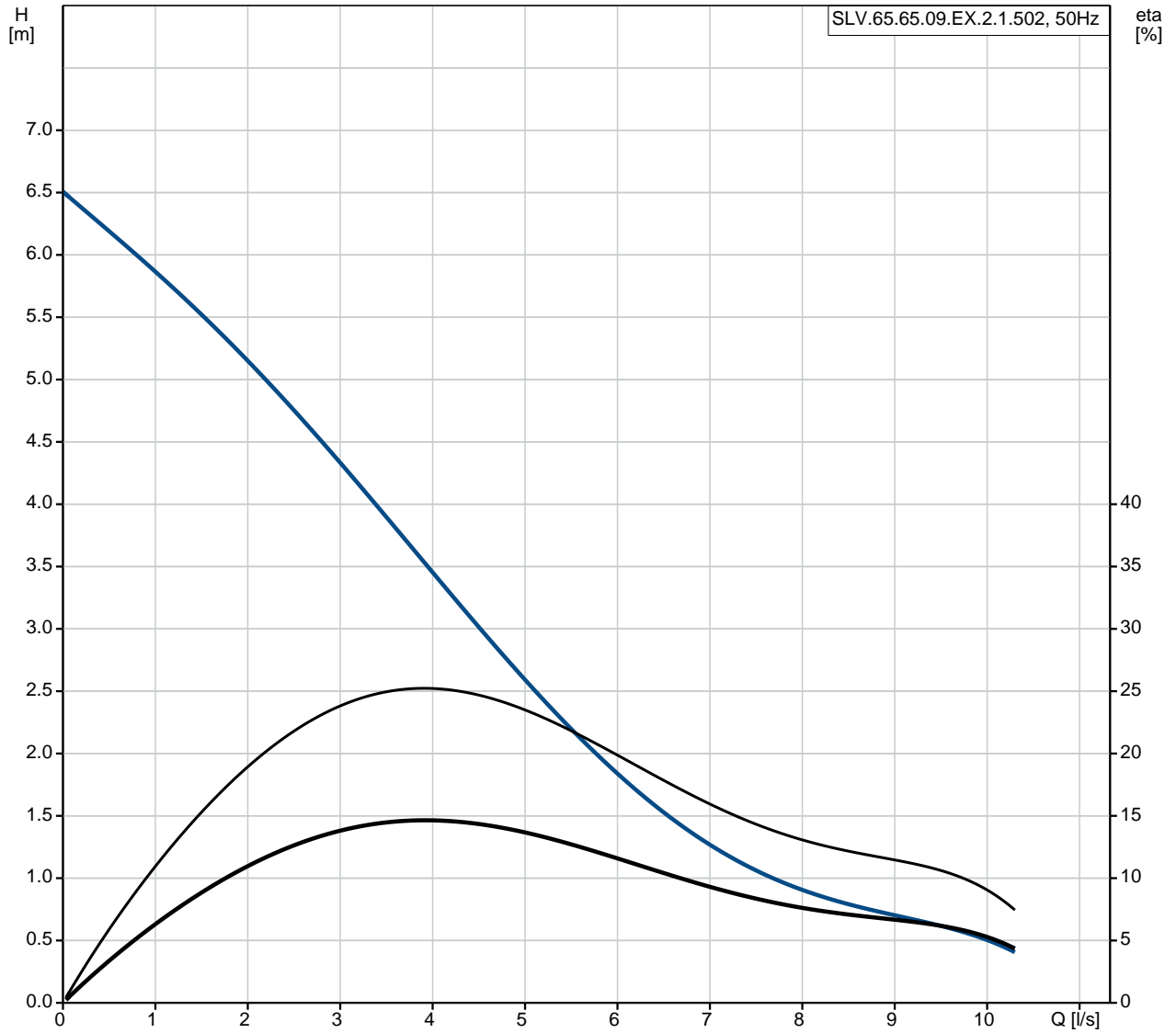


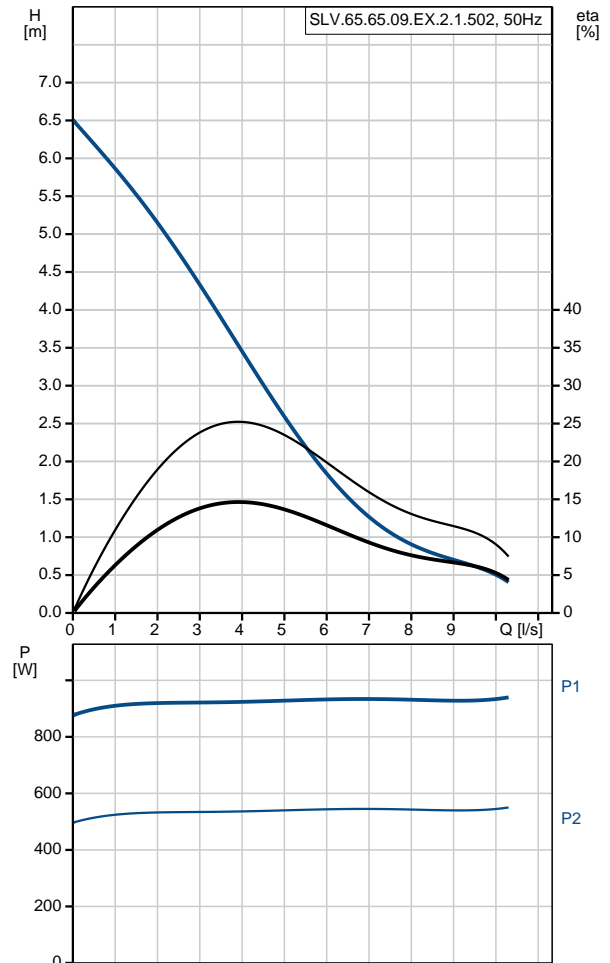
Position	Qty.	Description
	1	<p>SLV.65.65.09.EX.2.1.502</p>  <p>Product No.: 96115120</p> <p>Non-self-priming, single-stage, centrifugal pump designed for handling wastewater, process water and unscreened raw sewage.</p> <p>The pump is designed for intermittent and continuous operations in submerged installation. The efficient SuperVortex impeller provides passage of long fibres and solids up to 65 mm and is suitable for wastewater with a dry matter content of up to 5 %.</p> <p>A unique stainless-steel clamp assembling system enables quick and easy disassembly of the pump from the motor unit for service and inspection. No special tools are required. Pipework connection is via a DIN flange.</p> <p>The pump is explosion-proof.</p> <p>Controls:</p> <p>Moisture sensor: without moisture sensors Water-in-oil sensor: without water-in-oil sensor</p> <p>Liquid:</p> <p>Pumped liquid: Any Newtonian liquid Maximum liquid temperature: 40 °C Density: 998.2 kg/m³</p> <p>Technical:</p> <p>Type of impeller: SUPER VORTEX Maximum particle size: 65 mm Primary shaft seal: SIC/SIC Secondary shaft seal: LIPSEAL Approvals on nameplate: CE 0344-Ex-II26 Curve tolerance: ISO9906:2012 3B2</p> <p>Materials:</p> <p>Pump housing: EN-GJL-200 EN-GJL-200 Impeller: EN-GJS-500-7 EN-GJS-500-7 Motor: EN-GJL-200</p> <p>Installation:</p> <p>Maximum ambient temperature: 40 °C Flange standard: DIN Pump outlet: 65 Pressure rating: PN10 Maximum installation depth: 10 m</p> <p>Electrical data:</p> <p>Power input - P1: 1.3 kW Rated power - P2: 0.9 kW Mains frequency: 50 Hz Rated voltage: 1 x 230 V Voltage tolerance: +6/-10 %</p>

Position	Qty.	Description
		<p>Max starts per. hour: 30</p> <p>Rated current: 6.1 A</p> <p>Rated current at 3/4 load: 5.1 A</p> <p>Rated current at 1/2 load: 4.1 A</p> <p>Starting current: 38 A</p> <p>Rated current at no load: 2.6 A</p> <p>Cos phi - power factor: 0.96</p> <p>Cos phi - p.f. at 3/4 load: 0.92</p> <p>Cos phi - p.f. at 1/2 load: 0.86</p> <p>Rated speed: 2870 rpm</p> <p>Motor efficiency at full load: 67 %</p> <p>Motor efficiency at 3/4 load: 63 %</p> <p>Motor efficiency at 1/2 load: 55 %</p> <p>Start. method: direct-on-line</p> <p>Enclosure class (IEC 34-5): IP68</p> <p>Insulation class (IEC 85): F</p> <p>Explosion proof: yes</p> <p>Length of cable: 10 m</p> <p>Cable type: H07RN-F</p> <p>Others:</p> <p>Net weight: 48 kg</p> <p>Danish VVS No.: 391296513</p> <p>Country of origin: HU</p> <p>Custom tariff no.: 84137021</p>

96115120 SLV.65.65.09.EX.2.1.502 50 Hz



Description	Value
General information:	
Product name:	SLV.65.65.09.EX.2.1.502
Product No:	96115120
EAN number:	5700396855158
Price:	1.139,00 GBP
Technical:	
Max flow:	6.81 l/s
Head max:	7.5 m
Type of impeller:	SUPER VORTEX
Maximum particle size:	65 mm
Primary shaft seal:	SIC/SIC
Secondary shaft seal:	LIPSEAL
Approvals on nameplate:	CE 0344-Ex-II26
Curve tolerance:	ISO9906:2012 3B2
Cooling jacket:	without cooling jacket
Materials:	
Pump housing:	EN-GJL-200
	EN-GJL-200
Impeller:	EN-GJS-500-7
	EN-GJS-500-7
Motor:	EN-GJL-200
Installation:	
Maximum ambient temperature:	40 °C
Flange standard:	DIN
Pump outlet:	65
Pressure rating:	PN10
Maximum installation depth:	10 m
Inst dry/wet:	SUBMERGED
Installation:	Vertical
Liquid:	
Pumped liquid:	Any Newtonian liquid
Maximum liquid temperature:	40 °C
Density:	998.2 kg/m ³
Electrical data:	
Power input - P1:	1.3 kW
Rated power - P2:	0.9 kW
Mains frequency:	50 Hz
Rated voltage:	1 x 230 V
Voltage tolerance:	+6/-10 %
Max starts per. hour:	30
Rated current:	6.1 A
Rated current at 3/4 load:	5.1 A
Rated current at 1/2 load:	4.1 A
Starting current:	38 A
Rated current at no load:	2.6 A
Cos phi - power factor:	0.96
Cos phi - p.f. at 3/4 load:	0.92
Cos phi - p.f. at 1/2 load:	0.86
Rated speed:	2870 rpm
Motor efficiency at full load:	67 %
Motor efficiency at 3/4 load:	63 %
Motor efficiency at 1/2 load:	55 %
Start. method:	direct-on-line
Enclosure class (IEC 34-5):	IP68
Insulation class (IEC 85):	F
Explosion proof:	yes
Motor protec:	THERMAL SWITCH
Length of cable:	10 m





Company name:

Created by:

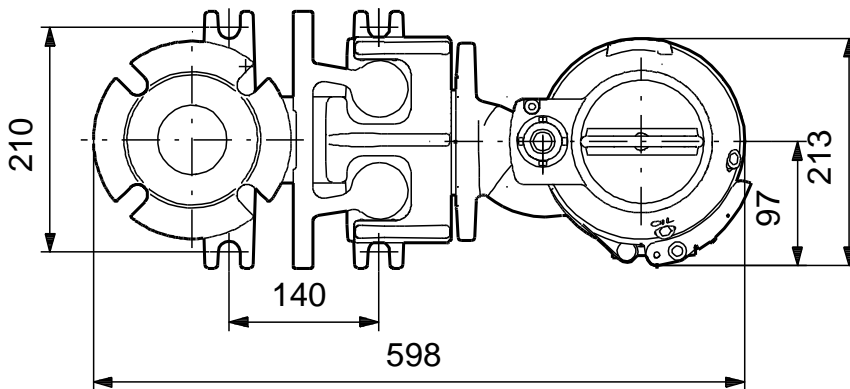
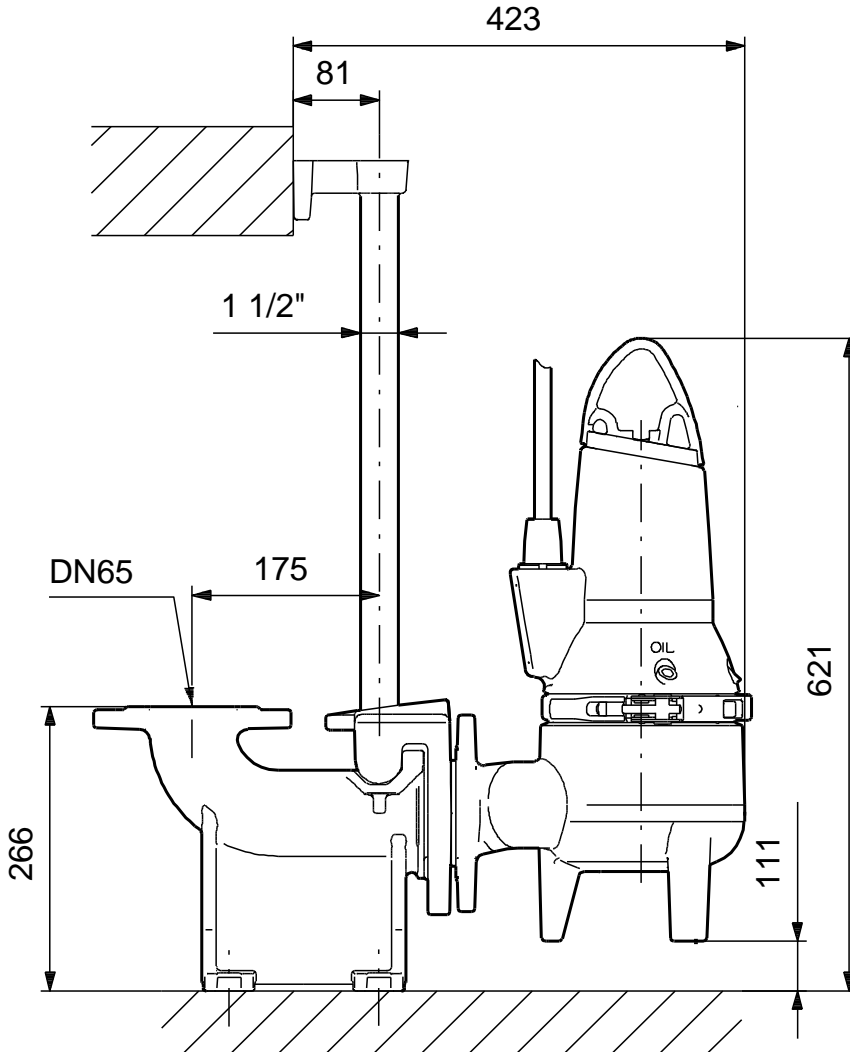
Phone:

Date:

20/11/2018

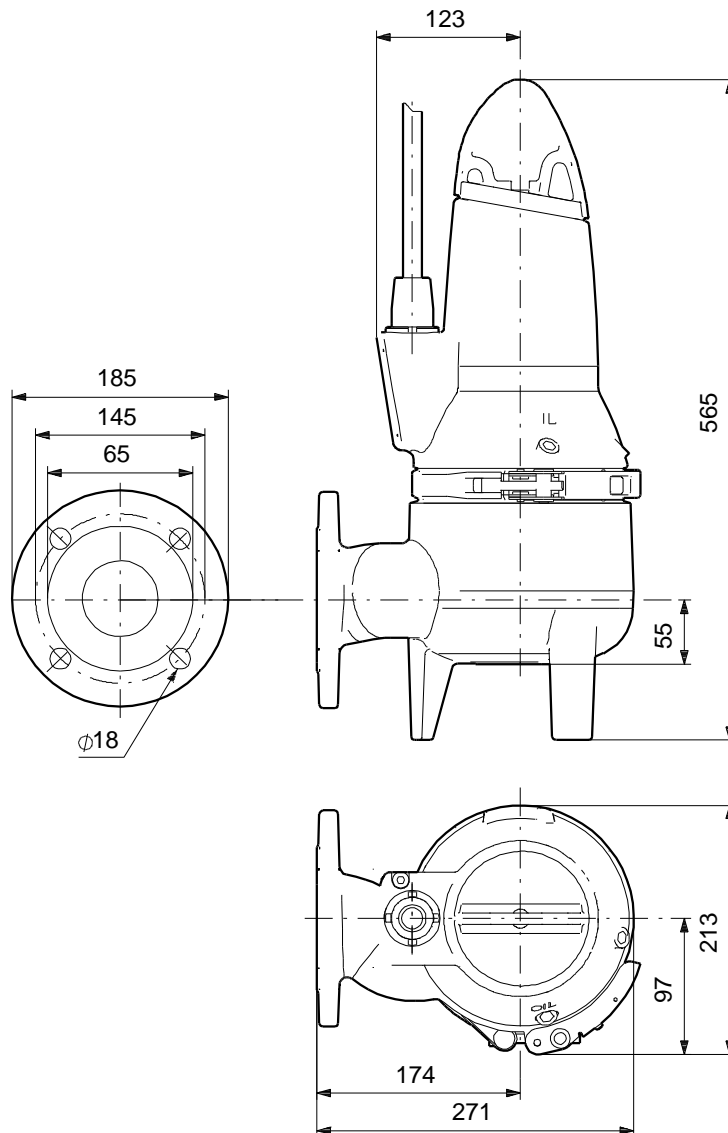
Description	Value
Cable type:	H07RN-F
Controls:	
Control box:	not included
Moisture sensor:	without moisture sensors
Water-in-oil sensor:	without water-in-oil sensor
Others:	
Net weight:	48 kg
Danish VVS No.:	391296513
Country of origin:	HU
Custom tariff no.:	84137021

96115120 SLV.65.65.09.EX.2.1.502 50 Hz



Note! All units are in [mm] unless others are stated.
Disclaimer: This simplified dimensional drawing does not show all details.

96115120 SLV.65.65.09.EX.2.1.502 50 Hz



Note! All units are in [mm] unless others are stated.
Disclaimer: This simplified dimensional drawing does not show all details.

