
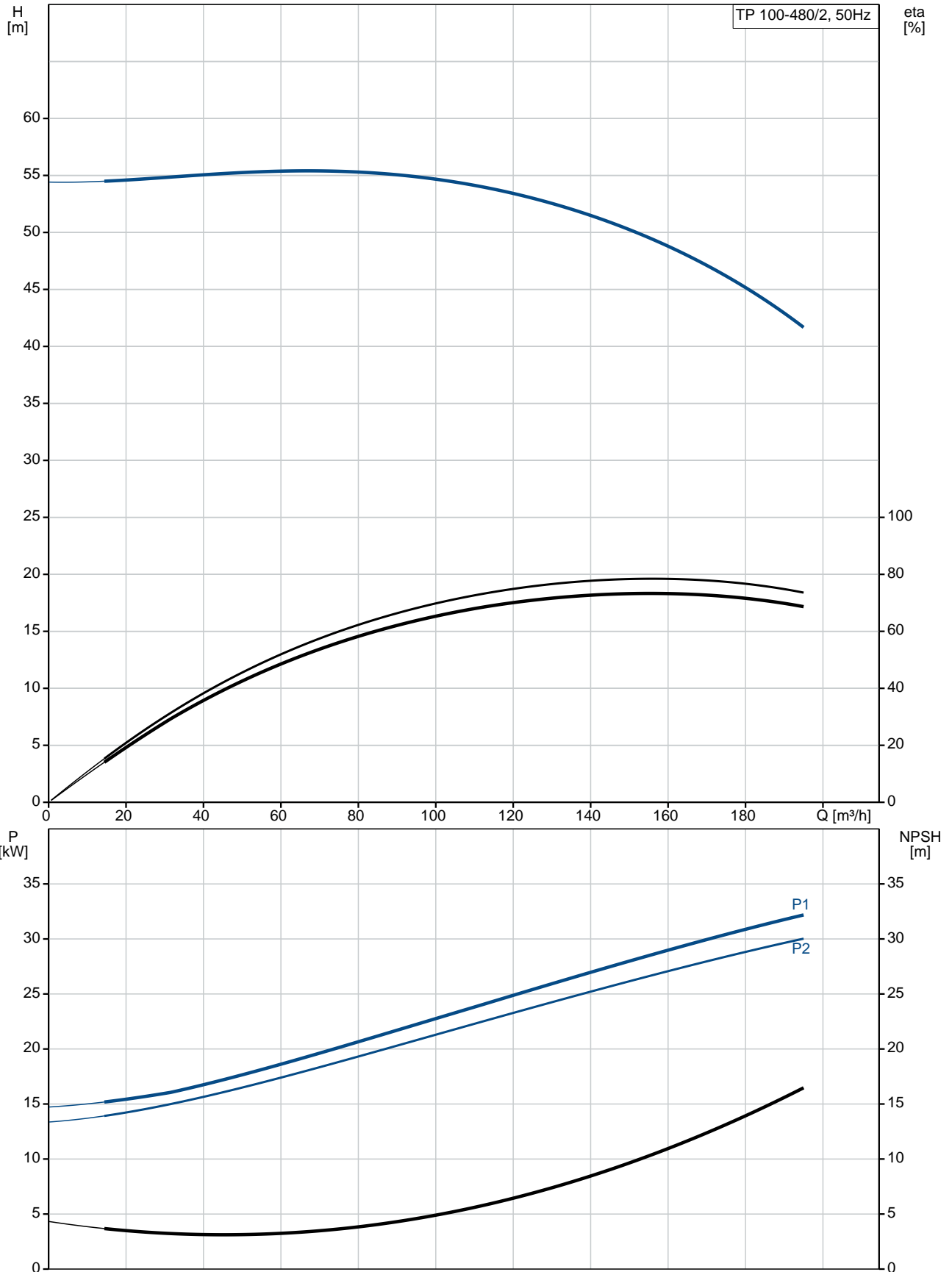


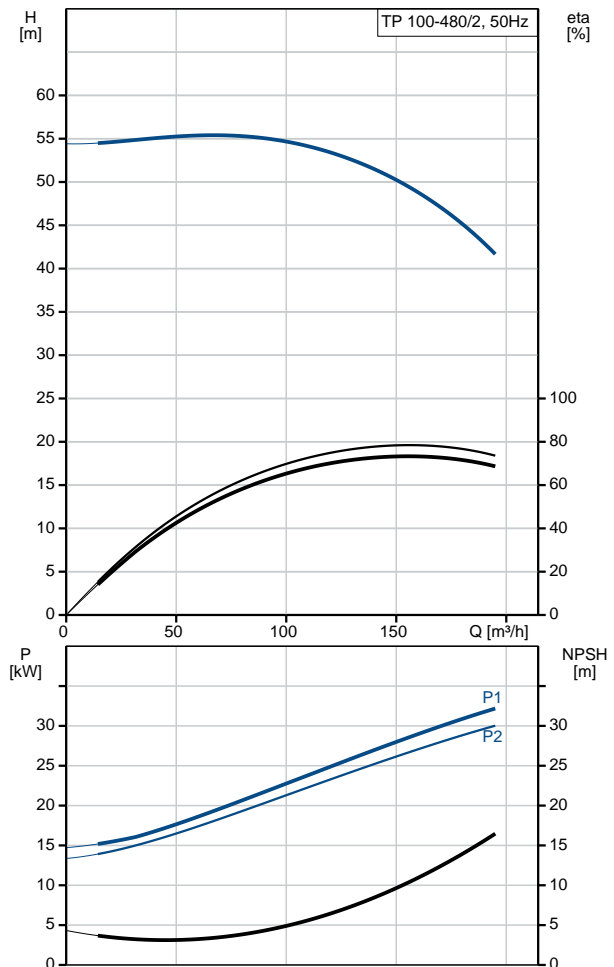
Position	Qty.	Description
	1	<p><b>TP 100-480/2 A-F-A-BQQE</b></p>  <p>Product No.: <a href="#">96109196</a></p> <p>Single-stage, close-coupled, volute pump with in-line suction and discharge ports of identical diameter. The pump is of the top-pull-out design, i.e. the power head (motor, pump head and impeller) can be removed for maintenance or service while the pump housing remains in the pipework.</p> <p>The pump is fitted with an unbalanced rubber bellows seal. The shaft seal is according to EN 12756. Pipework connection is via PN 16 DIN flanges (EN 1092-2 and ISO 7005-2).</p> <p>The pump is fitted with a fan-cooled asynchronous motor.</p> <p><b>Liquid:</b>  Pumped liquid: Water  Liquid temperature range: -25 .. 120 °C  Liquid temperature during operation: 20 °C  Density: 998.2 kg/m<sup>3</sup></p> <p><b>Technical:</b>  Speed for pump data: 2950 rpm  Rated flow: 156 m<sup>3</sup>/h  Rated head: 49.4 m  Actual impeller diameter: 200 mm  Primary shaft seal: BQQE  Curve tolerance: ISO9906:2012 3B</p> <p><b>Materials:</b>  Pump housing: Cast iron  EN-JL1040  ASTM A48-40 B  Impeller: Cast iron  EN-JL1030  ASTM A48-30 B</p> <p><b>Installation:</b>  Range of ambient temperature: -20 .. 55 °C  Maximum operating pressure: 16 bar  Flange standard: DIN  Pipe connection: DN 100  Pump inlet: DN 100  Pump outlet: DN 100  Pressure rating: PN 16  Port-to-port length: 550 mm  Flange size for motor: FF350</p> <p><b>Electrical data:</b>  Motor type: SIEMENS  IE Efficiency class: IE3  Rated power - P2: 30 kW  Power (P2) required by pump: 30 kW  Mains frequency: 50 Hz</p>

Position	Qty.	Description
		<p>Rated voltage: 3 x 380-420D/660-725Y V            Rated current: 56,0-51,0/32,0-29,5 A            Starting current: 660-660 %            Cos phi - power factor: 0,86            Rated speed: 2955 rpm            Efficiency: IE3 93,3%            Motor efficiency at full load: 93.3-93.3 %            Motor efficiency at 3/4 load: 93.6-93.6 %            Motor efficiency at 1/2 load: 93.4-93.4 %            Number of poles: 2            Enclosure class (IEC 34-5): 55 Dust/Jetting            Insulation class (IEC 85): F</p> <p><b>Others:</b>            Minimum efficiency index, MEI : 0.65            ErP status: EuP Standalone/Prod.            Net weight: 350 kg            Gross weight: 394 kg            Shipping volume: 1.12 m<sup>3</sup>            Danish VVS No.: VVS NO 381706480</p>

## 96109196 TP 100-480/2 50 Hz



Description	Value
<b>General information:</b>	
Product name:	TP 100-480/2 A-F-A-BQQE
Product No:	96109196
EAN number:	5700396981734
<b>Technical:</b>	
Speed for pump data:	2950 rpm
Rated flow:	156 m <sup>3</sup> /h
Rated head:	49.4 m
Head max:	480 dm
Actual impeller diameter:	200 mm
Primary shaft seal:	BQQE
Curve tolerance:	ISO9906:2012 3B
Pump version:	A
Model:	A
<b>Materials:</b>	
Pump housing:	Cast iron EN-JL1040 ASTM A48-40 B
Impeller:	Cast iron EN-JL1030 ASTM A48-30 B
Material code:	A
<b>Installation:</b>	
Range of ambient temperature:	-20 .. 55 °C
Maximum operating pressure:	16 bar
Flange standard:	DIN
Connect code:	F
Pipe connection:	DN 100
Pump inlet:	DN 100
Pump outlet:	DN 100
Pressure rating:	PN 16
Port-to-port length:	550 mm
Flange size for motor:	FF350
<b>Liquid:</b>	
Pumped liquid:	Water
Liquid temperature range:	-25 .. 120 °C
Liquid temperature during operation:	20 °C
Density:	998.2 kg/m <sup>3</sup>
<b>Electrical data:</b>	
Motor type:	SIEMENS
IE Efficiency class:	IE3
Rated power - P2:	30 kW
Power (P2) required by pump:	30 kW
Mains frequency:	50 Hz
Rated voltage:	3 x 380-420D/660-725Y V
Rated current:	56,0-51,0/32,0-29,5 A
Starting current:	660-660 %
Cos phi - power factor:	0,86
Rated speed:	2955 rpm
Efficiency:	IE3 93,3%
Motor efficiency at full load:	93.3-93.3 %
Motor efficiency at 3/4 load:	93.6-93.6 %
Motor efficiency at 1/2 load:	93.4-93.4 %
Number of poles:	2





Company name:

Created by:

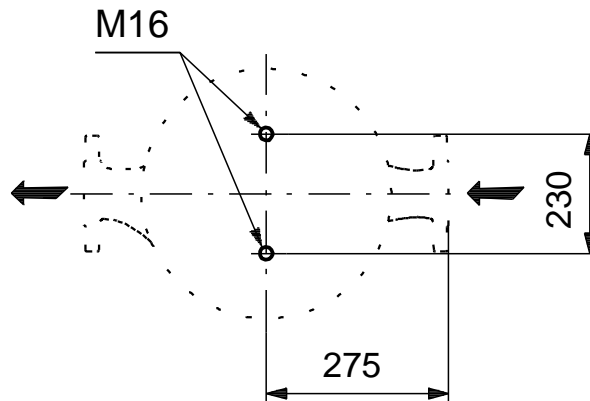
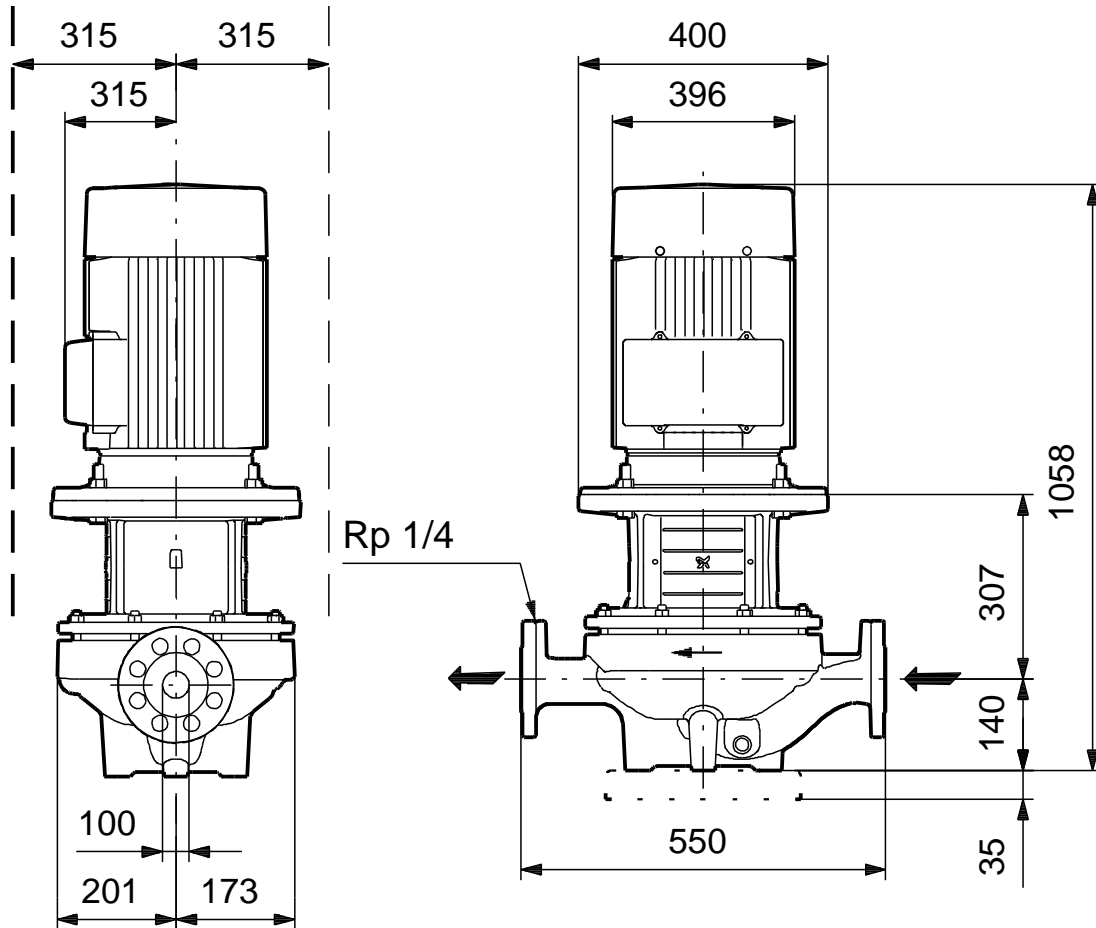
Phone:

Date:

29/01/2018

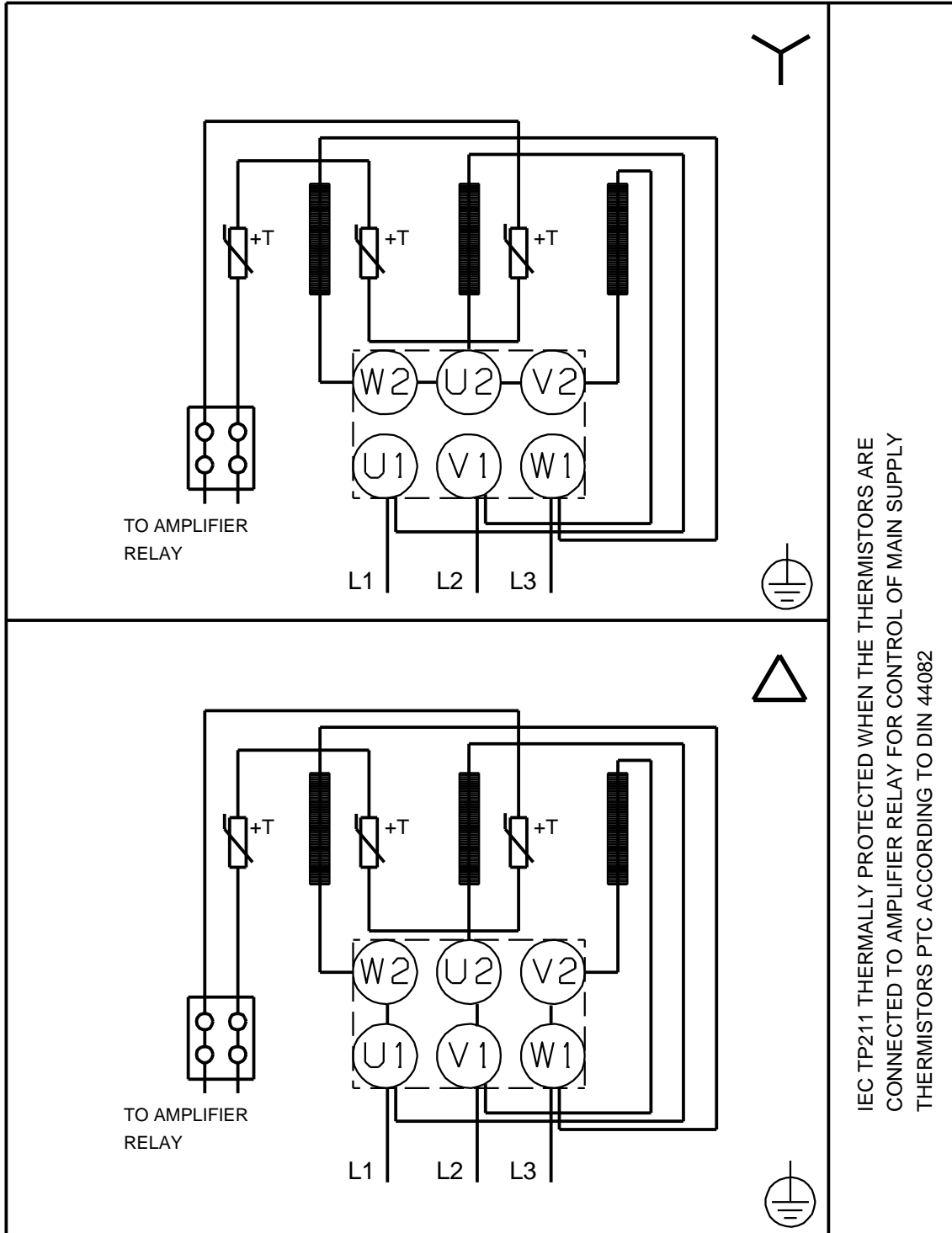
Description	Value
Enclosure class (IEC 34-5):	55 Dust/Jetting
Insulation class (IEC 85):	F
Motor protec:	PTC
Motor No:	99032179
<b>Others:</b>	
Minimum efficiency index, MEI :	0.65
ErP status:	EuP Standalone/Prod.
Net weight:	350 kg
Gross weight:	394 kg
Shipping volume:	1.12 m <sup>3</sup>
Danish VVS No.:	VVS NO 381706480

## 96109196 TP 100-480/2 50 Hz



Note! All units are in [mm] unless others are stated.  
Disclaimer: This simplified dimensional drawing does not show all details.

## 96109196 TP 100-480/2 50 Hz



IEC TP211 THERMALLY PROTECTED WHEN THE THERMISTORS ARE  
CONNECTED TO AMPLIFIER RELAY FOR CONTROL OF MAIN SUPPLY  
THERMISTORS PTC ACCORDING TO DIN 44082

Note! All units are in [mm] unless others are stated.