
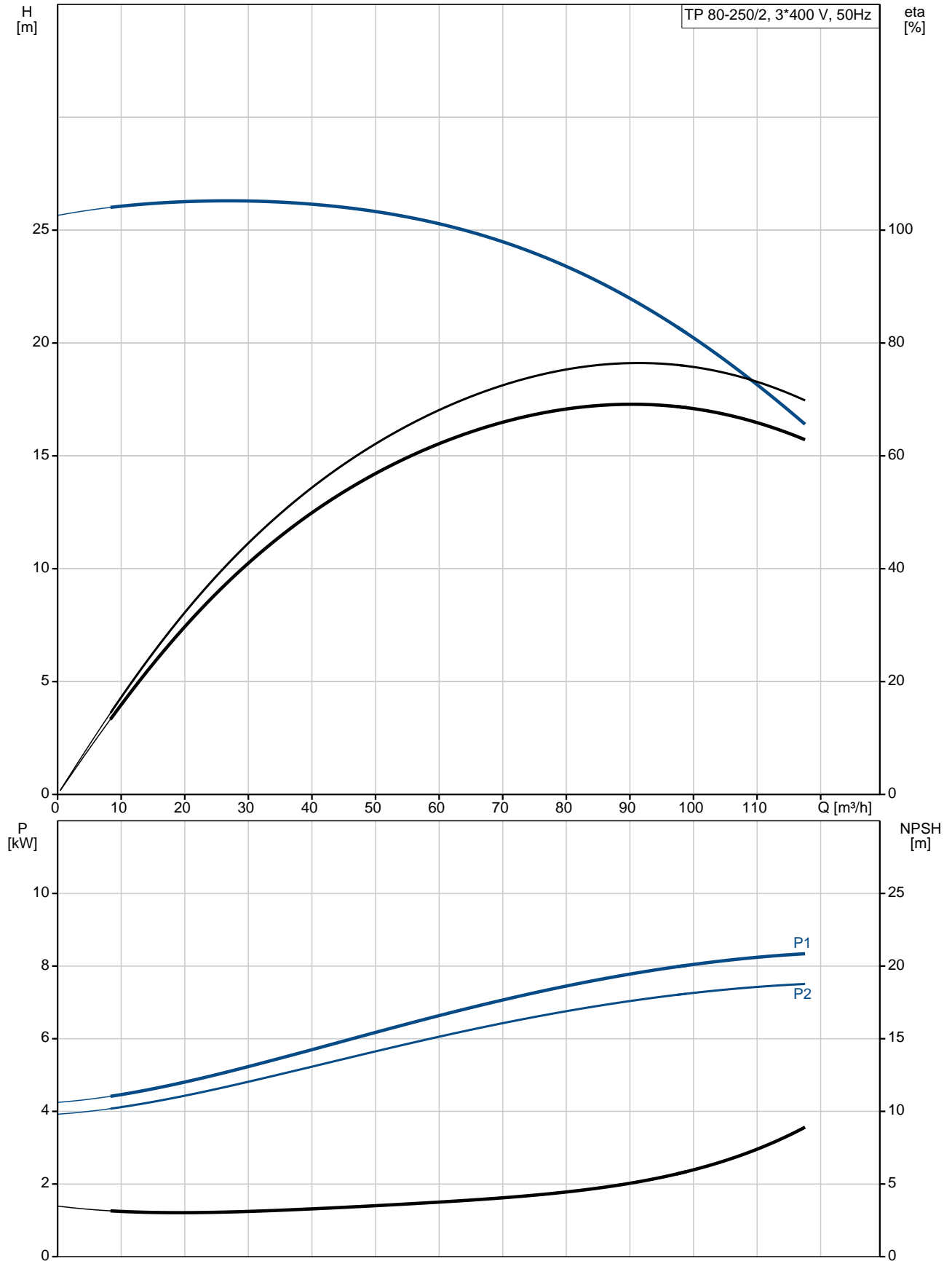


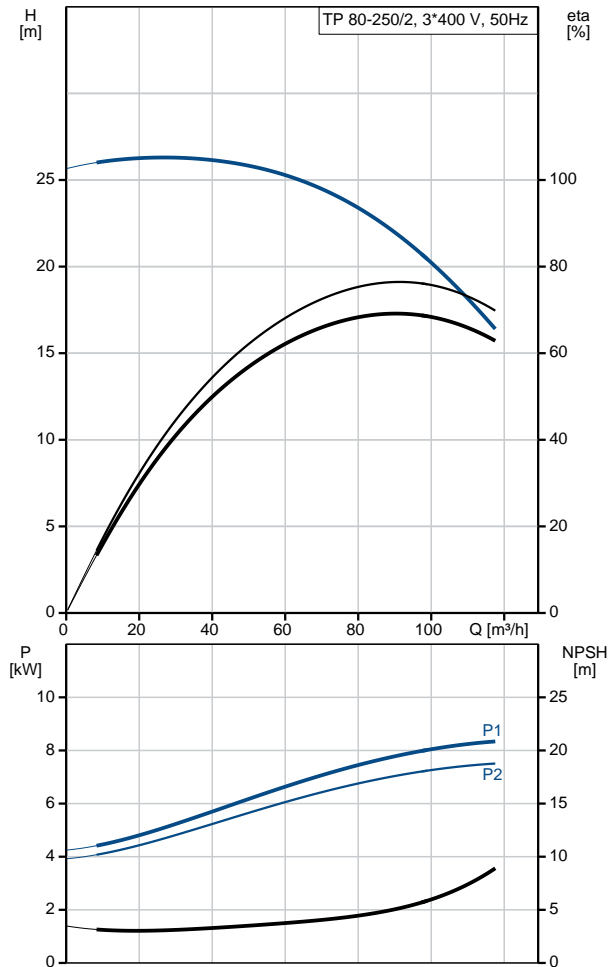
| Position | Qty. | Description   |
|----------|------|---|
|          | 1    | <p><b>TP 80-250/2 A-F-A-BQQE</b></p>  <p>Product No.: <a href="#">96108721</a></p> <p>Single-stage, close-coupled, volute pump with in-line suction and discharge ports of identical diameter. The pump is of the top-pull-out design, i.e. the power head (motor, pump head and impeller) can be removed for maintenance or service while the pump housing remains in the pipework.</p> <p>The pump is fitted with an unbalanced rubber bellows seal. The shaft seal is according to EN 12756. Pipework connection is via PN 16 DIN flanges (EN 1092-2 and ISO 7005-2).</p> <p>The pump is fitted with a fan-cooled asynchronous motor.</p> <p><b>Liquid:</b><br/> Pumped liquid: Water<br/> Liquid temperature range: -25 .. 120 °C<br/> Liquid temperature during operation: 20 °C<br/> Density: 998.2 kg/m<sup>3</sup></p> <p><b>Technical:</b><br/> Speed for pump data: 2910 rpm<br/> Rated flow: 90.4 m<sup>3</sup>/h<br/> Rated head: 21.7 m<br/> Actual impeller diameter: 145 mm<br/> Primary shaft seal: BQQE<br/> Curve tolerance: ISO9906:2012 3B</p> <p><b>Materials:</b><br/> Pump housing: Cast iron<br/> EN-JL1040<br/> ASTM A48-40 B<br/> Impeller: Cast iron<br/> EN-JL1030<br/> ASTM A48-30 B</p> <p><b>Installation:</b><br/> Range of ambient temperature: -30 .. 60 °C<br/> Maximum operating pressure: 16 bar<br/> Flange standard: DIN<br/> Pipe connection: DN 80<br/> Pump inlet: DN 80<br/> Pump outlet: DN 80<br/> Pressure rating: PN 16<br/> Port-to-port length: 440 mm<br/> Flange size for motor: FF265</p> <p><b>Electrical data:</b><br/> Motor type: 132SB<br/> IE Efficiency class: IE3<br/> Rated power - P2: 7.5 kW<br/> Power (P2) required by pump: 7.5 kW<br/> Mains frequency: 50 Hz</p> |

| Position | Qty. | Description  |
|----------|------|--|
|          |      | <p>Rated voltage: 3 x 380-415D/660-690Y V</p> <p>Rated current: 14,4-14,0/8,30-8,10 A</p> <p>Starting current: 780-910 %</p> <p>Cos phi - power factor: 0,88-0,86</p> <p>Rated speed: 2910-2920 rpm</p> <p>Efficiency: IE3 90,1% - IE3 90,4%</p> <p>Motor efficiency at full load: 90.1-90.4 %</p> <p>Motor efficiency at 3/4 load: 90.8 %</p> <p>Motor efficiency at 1/2 load: 90.8 %</p> <p>Number of poles: 2</p> <p>Enclosure class (IEC 34-5): 55 Dust/Jetting</p> <p>Insulation class (IEC 85): F</p> <p><b>Others:</b></p> <p>Minimum efficiency index, MEI : 0.68</p> <p>ErP status: EuP Standalone/Prod.</p> <p>Net weight: 111 kg</p> <p>Gross weight: 128 kg</p> <p>Shipping volume: 0.39 m<sup>3</sup></p> |

## 96108721 TP 80-250/2 50 Hz



| Description                          | Value                                   |
|--------------------------------------|---|
| <b>General information:</b>          |   |
| Product name:                        | TP 80-250/2 A-F-A-BQQE                  |
| Product No:                          | 96108721                                |
| EAN number:                          | 5700396976877                           |
| <b>Technical:</b>                    |   |
| Speed for pump data:                 | 2910 rpm                                |
| Rated flow:                          | 90.4 m <sup>3</sup> /h                  |
| Rated head:                          | 21.7 m                                  |
| Head max:                            | 250 dm                                  |
| Actual impeller diameter:            | 145 mm                                  |
| Primary shaft seal:                  | BQQE                                    |
| Curve tolerance:                     | ISO9906:2012 3B                         |
| Pump version:                        | A                                       |
| Model:                               | A                                       |
| <b>Materials:</b>                    |   |
| Pump housing:                        | Cast iron<br>EN-JL1040<br>ASTM A48-40 B |
| Impeller:                            | Cast iron<br>EN-JL1030<br>ASTM A48-30 B |
| Material code:                       | A                                       |
| <b>Installation:</b>                 |   |
| Range of ambient temperature:        | -30 .. 60 °C                            |
| Maximum operating pressure:          | 16 bar                                  |
| Flange standard:                     | DIN                                     |
| Connect code:                        | F                                       |
| Pipe connection:                     | DN 80                                   |
| Pump inlet:                          | DN 80                                   |
| Pump outlet:                         | DN 80                                   |
| Pressure rating:                     | PN 16                                   |
| Port-to-port length:                 | 440 mm                                  |
| Flange size for motor:               | FF265                                   |
| <b>Liquid:</b>                       |   |
| Pumped liquid:                       | Water                                   |
| Liquid temperature range:            | -25 .. 120 °C                           |
| Liquid temperature during operation: | 20 °C                                   |
| Density:                             | 998.2 kg/m <sup>3</sup>                 |
| <b>Electrical data:</b>              |   |
| Motor type:                          | 132SB                                   |
| IE Efficiency class:                 | IE3                                     |
| Rated power - P2:                    | 7.5 kW                                  |
| Power (P2) required by pump:         | 7.5 kW                                  |
| Mains frequency:                     | 50 Hz                                   |
| Rated voltage:                       | 3 x 380-415D/660-690Y V                 |
| Rated current:                       | 14,4-14,0/8,30-8,10 A                   |
| Starting current:                    | 780-910 %                               |
| Cos phi - power factor:              | 0,88-0,86                               |
| Rated speed:                         | 2910-2920 rpm                           |
| Efficiency:                          | IE3 90,1% - IE3 90,4%                   |
| Motor efficiency at full load:       | 90.1-90.4 %                             |
| Motor efficiency at 3/4 load:        | 90.8 %                                  |
| Motor efficiency at 1/2 load:        | 90.8 %                                  |
| Number of poles:                     | 2                                       |





Company name:

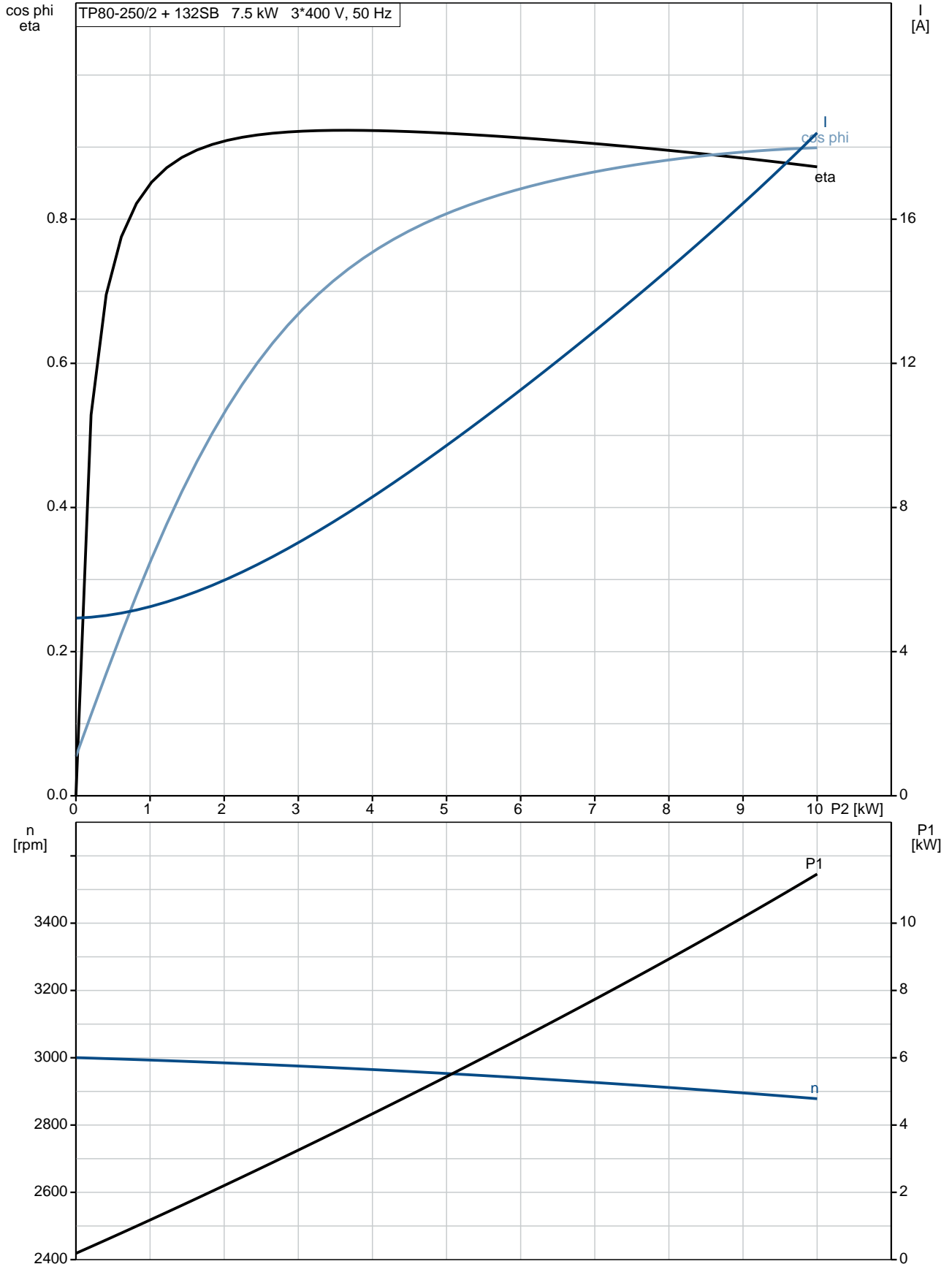
Created by:

Phone:

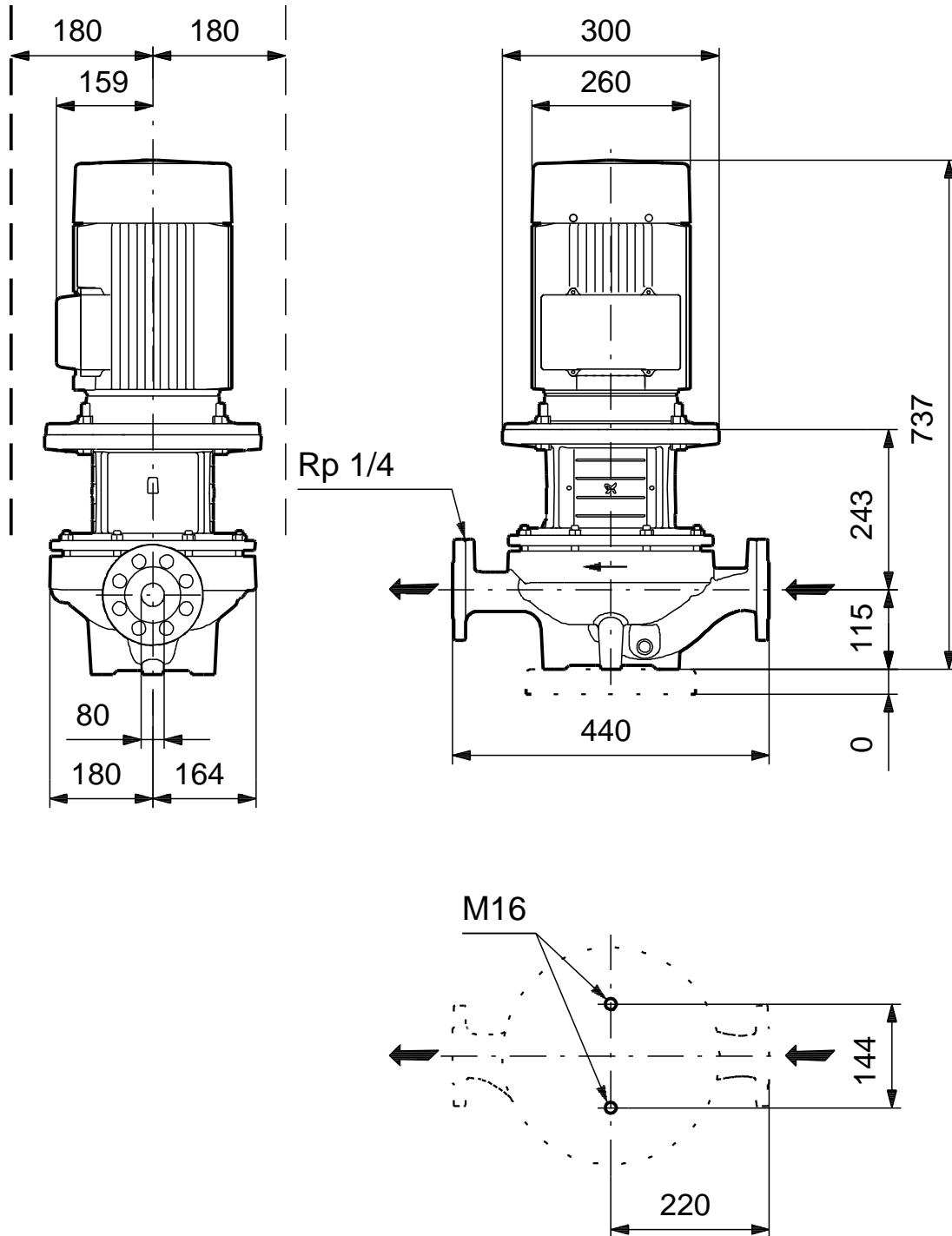
Date: 29/01/2018

| Description                     | Value                |
|---------------------------------|----------------------|
| Enclosure class (IEC 34-5):     | 55 Dust/Jetting      |
| Insulation class (IEC 85):      | F                    |
| Motor protec:                   | PTC                  |
| Motor No:                       | 87370232             |
| <b>Others:</b>                  |                      |
| Minimum efficiency index, MEI : | 0.68                 |
| ErP status:                     | EuP Standalone/Prod. |
| Net weight:                     | 111 kg               |
| Gross weight:                   | 128 kg               |
| Shipping volume:                | 0.39 m <sup>3</sup>  |

## 96108721 TP 80-250/2 50 Hz

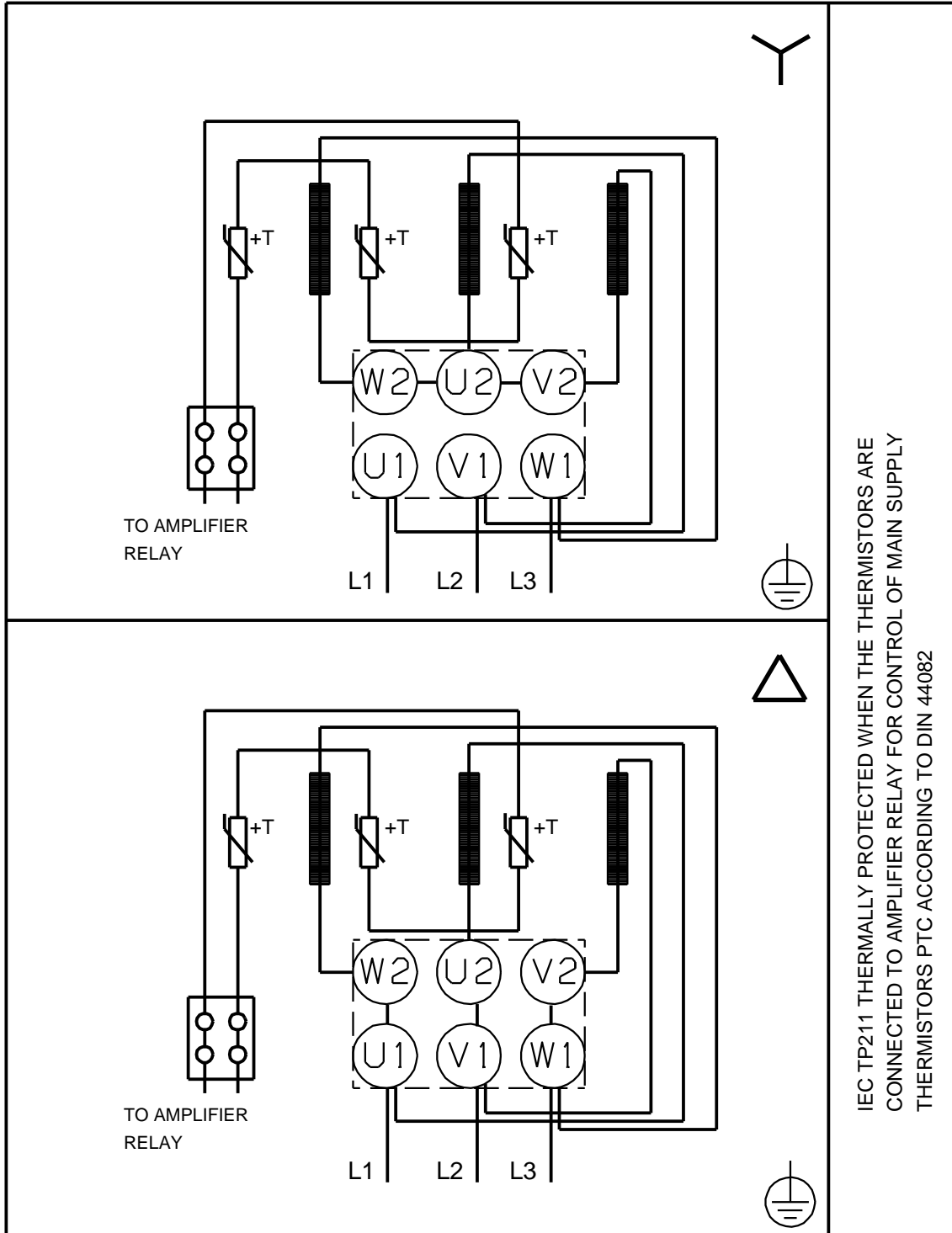


## 96108721 TP 80-250/2 50 Hz



Note! All units are in [mm] unless others are stated.  
Disclaimer: This simplified dimensional drawing does not show all details.

## 96108721 TP 80-250/2 50 Hz



IEC TP211 THERMALLY PROTECTED WHEN THE THERMISTORS ARE  
CONNECTED TO AMPLIFIER RELAY FOR CONTROL OF MAIN SUPPLY  
THERMISTORS PTC ACCORDING TO DIN 44082

Note! All units are in [mm] unless others are stated.