
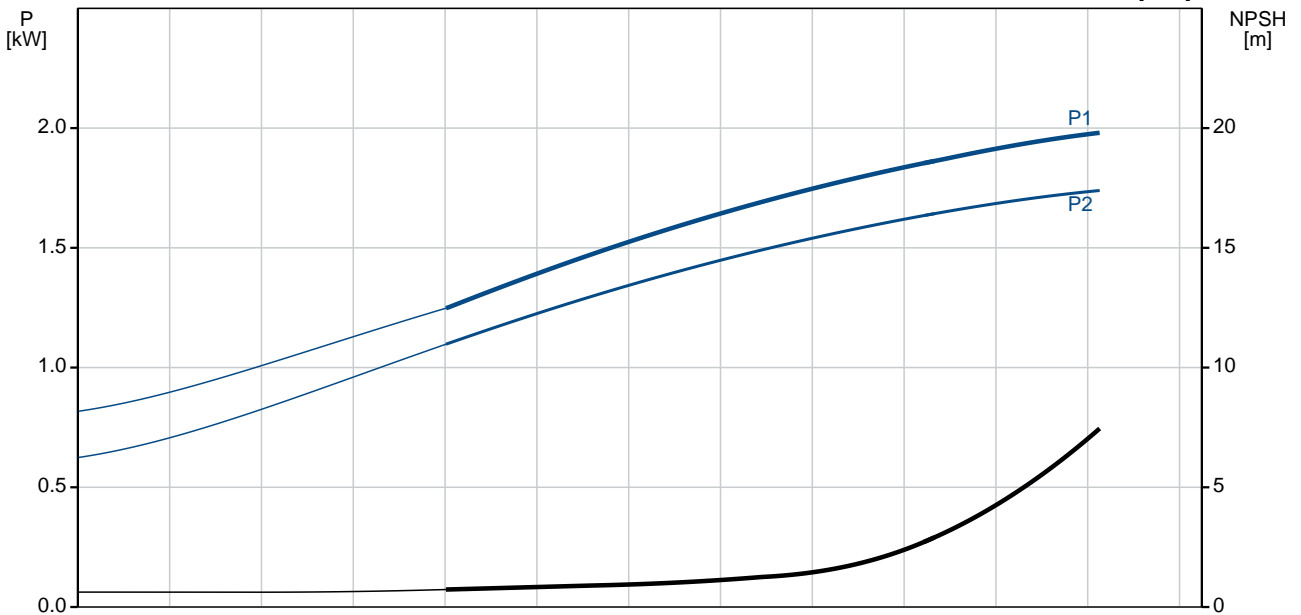
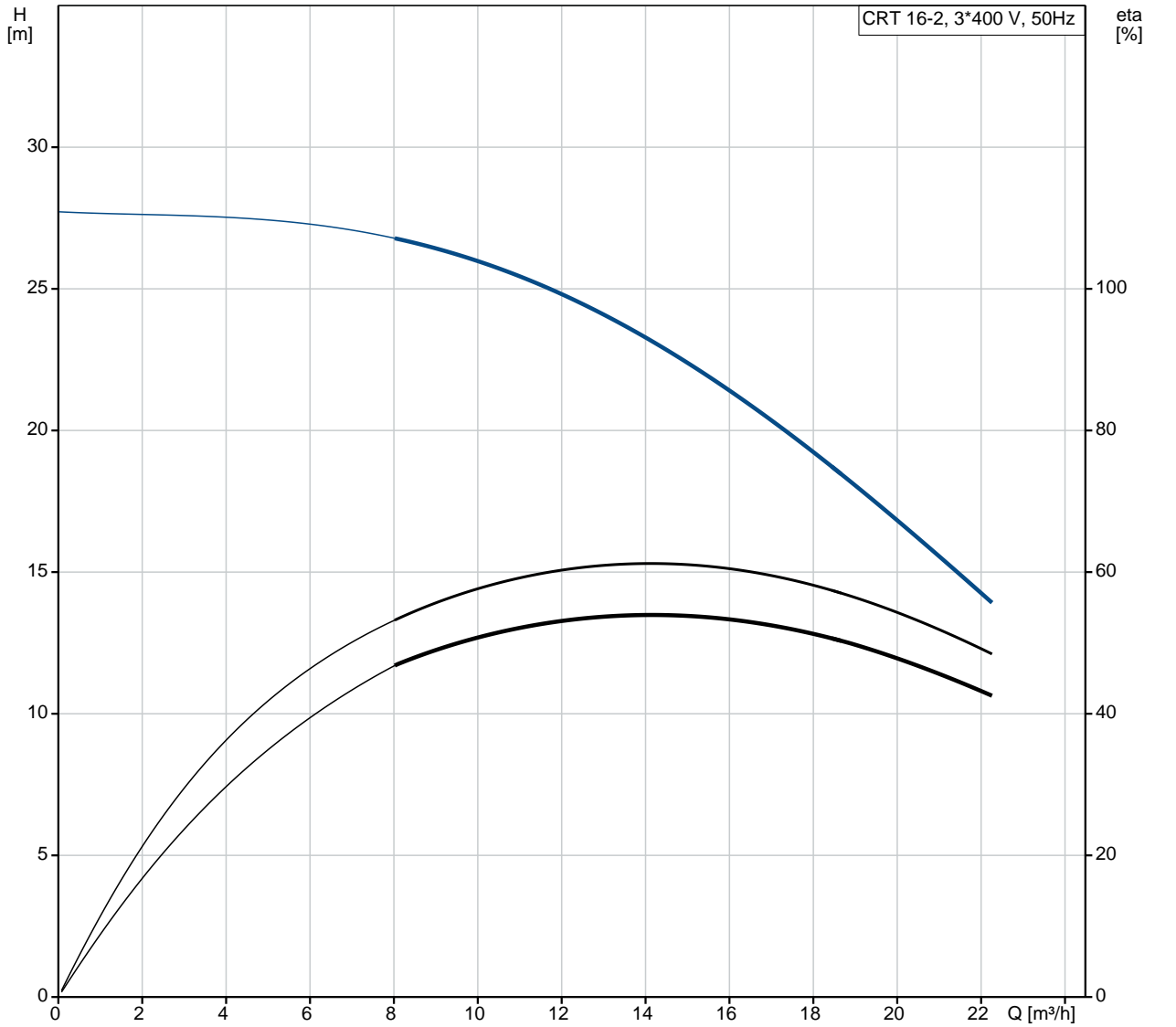


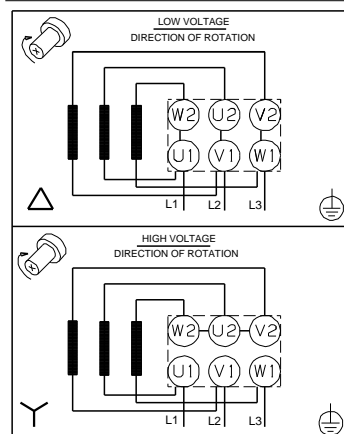
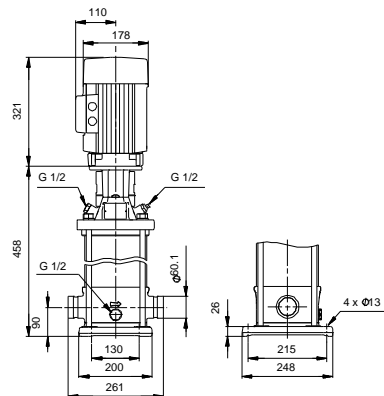
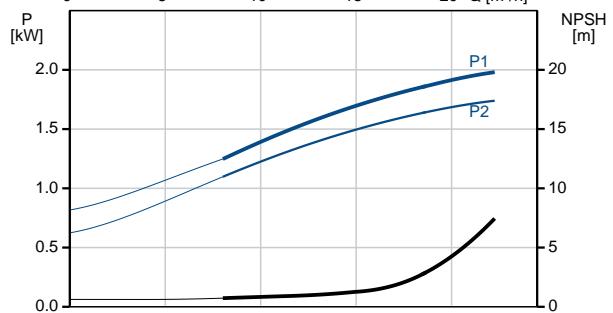
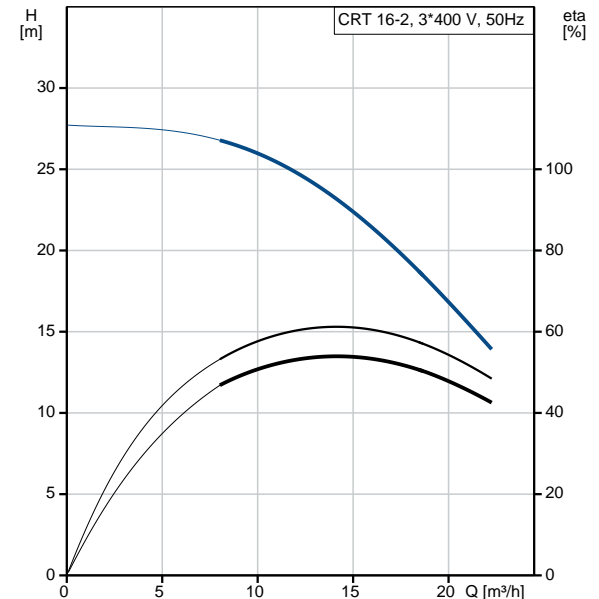
Qty.	Description
1	<p data-bbox="199 338 491 369">CRT 16-2 A-P-A-E-AUUE</p>  <p data-bbox="199 660 469 689">Product No.: 96108344</p> <p data-bbox="199 692 724 779">Vertical, non-self-priming, multistage, in-line, centrifugal pump for installation in pipe systems and mounting on a foundation.</p> <p data-bbox="199 808 679 837">The pump has the following characteristics:</p> <ul data-bbox="236 840 759 869" style="list-style-type: none"> - Impellers, intermediate chambers and outer <p data-bbox="199 871 887 900">Impeller: sleeve are made of Titanium.</p> <p data-bbox="199 902 1131 931">Pump housing: - Pump head cover and base are made of Titanium.</p> <ul data-bbox="236 934 668 963" style="list-style-type: none"> - The shaft seal has assembly length <p data-bbox="199 965 464 994">according to EN 12756.</p> <ul data-bbox="236 996 711 1048" style="list-style-type: none"> - Power transmission is via cast iron split coupling. <p data-bbox="199 1050 927 1106">Flange standard: - Pipework connection is via PJE flanges/couplings.</p> <p data-bbox="199 1135 940 1164">Phase: The motor is a 3-phase AC motor.</p> <p data-bbox="199 1193 277 1223">Liquid:</p> <p data-bbox="199 1225 635 1254">Pumped liquid: Water</p> <p data-bbox="199 1256 707 1285">Liquid temperature range: -20 .. 120 °C</p> <p data-bbox="199 1288 632 1317">Selected liquid temperature: 20 °C</p> <p data-bbox="199 1319 699 1348">Density: 998.2 kg/m³</p> <p data-bbox="199 1377 319 1406">Technical:</p> <p data-bbox="199 1408 821 1438">Pump speed on which pump data are based: 2900 rpm</p> <p data-bbox="199 1440 651 1469">Rated flow: 16 m³/h</p> <p data-bbox="199 1471 643 1500">Rated head: 21.9 m</p> <p data-bbox="199 1503 635 1532">Primary shaft seal: AUUE</p> <p data-bbox="199 1534 639 1563">Approvals on nameplate: CE,TR</p> <p data-bbox="199 1565 764 1594">Curve tolerance: ISO9906:2012 3B</p> <p data-bbox="199 1624 312 1653">Materials:</p> <p data-bbox="199 1655 708 1711">Pump housing: Titanium ASTM B 265</p> <p data-bbox="199 1713 708 1769">Impeller: Titanium ASTM B 265</p> <p data-bbox="199 1771 639 1800">Bush material: NONE</p> <p data-bbox="199 1830 330 1859">Installation:</p> <p data-bbox="199 1861 632 1890">Maximum ambient temperature: 60 °C</p> <p data-bbox="199 1892 735 1926">Max pressure at stated temp: 25 bar / 120 °C</p> <p data-bbox="564 1928 730 1957">25 bar / -20 °C</p> <p data-bbox="199 1960 614 1989">Flange standard: PJE</p> <p data-bbox="199 1991 663 2020">Pipe connection: 60,3 mm</p> <p data-bbox="199 2022 639 2051">Flange size for motor: FT115</p> <p data-bbox="199 2080 368 2110">Electrical data:</p>

Qty.	Description
	Motor type: 90LE
	IE Efficiency class: IE3
	Rated power - P2: 2.2 kW
	Power (P2) required by pump: 2.2 kW
	Mains frequency: 50 Hz
	Rated voltage: 3 x 220-240D/380-415Y V
	Rated current: 8.00/4.60 A
	Starting current: 840-920 %
	Cos phi - power factor: 0.86-0.80
	Rated speed: 2890-2910 rpm
	Efficiency: IE3 85,9%
	Motor efficiency at full load: 85.9-85.9 %
	Motor efficiency at 3/4 load: 88.2 %
	Motor efficiency at 1/2 load: 88.0 %
	Number of poles: 2
	Enclosure class (IEC 34-5): 55 Dust/Jetting
	Insulation class (IEC 85): F
	Motor No: 85U01908
	Others:
	Minimum efficiency index, MEI $\hat{\alpha}\%$: 0.69
	Net weight: 37 kg
	Gross weight: 47 kg

96108344 CRT 16-2 A-P-A-E-AUUE 50 Hz



Description	Value
General information:	
Product name:	CRT 16-2 A-P-A-E-AUUE
Product No:	96108344
EAN number:	5700396403144
Price:	
Technical:	
Pump speed on which pump data are based:	2900 rpm
Rated flow:	16 m³/h
Rated head:	21.9 m
Maximum head:	27.3 m
Head max:	27.3 m
Stages:	3
Impellers:	2
Primary shaft seal:	AUUE
Approvals on nameplate:	CE,TR
Curve tolerance:	ISO9906:2012 3B
Pump version:	A
Model:	A
Materials:	
Pump housing:	Titanium
Pump housing:	ASTM B 265
Impeller:	Titanium
Impeller:	ASTM B 265
Material code:	A
Code for rubber:	E
Bush material:	NONE
Installation:	
Maximum ambient temperature:	60 °C
Max pressure at stated temp:	25 bar / 120 °C
Max pressure at stated temp:	25 bar / -20 °C
Flange standard:	PJE
Pipe connection:	60,3 mm
Flange size for motor:	FT115
Connect code:	P
Liquid:	
Pumped liquid:	Water
Liquid temperature range:	-20 .. 120 °C
Selected liquid temperature:	20 °C
Density:	998.2 kg/m³
Electrical data:	
Motor type:	90LE
IE Efficiency class:	IE3
Rated power - P2:	2.2 kW
Power (P2) required by pump:	2.2 kW
Power (P2) required by pump:	2.2 kW
Mains frequency:	50 Hz
Rated voltage:	3 x 220-240D/380-415Y V
Rated current:	8.00/4.60 A
Starting current:	840-920 %
Cos phi - power factor:	0.86-0.80
Rated speed:	2890-2910 rpm
Efficiency:	IE3 85,9%
Motor efficiency at full load:	85.9-85.9 %
Motor efficiency at 3/4 load:	88.2 %
Motor efficiency at 1/2 load:	88.0 %
Number of poles:	2





Company name:

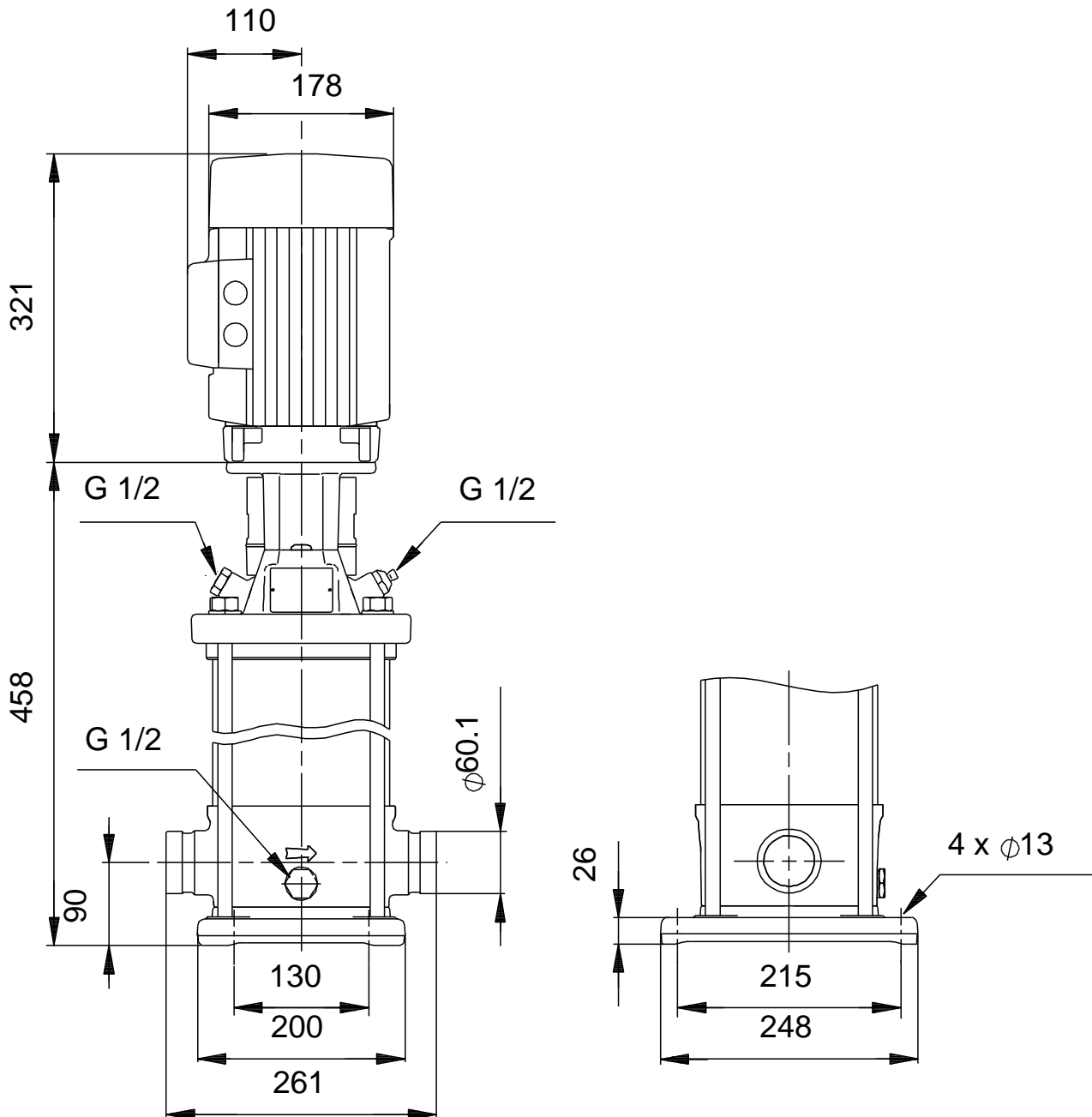
Created by:

Phone:

Date: 19/01/2021

Description	Value
Enclosure class (IEC 34-5):	55 Dust/Jetting
Insulation class (IEC 85):	F
Motor protec:	NONE
Motor No:	85U01908
Others:	
Minimum efficiency index, MEI %:	0.69
Net weight:	37 kg
Gross weight:	47 kg

96108344 CRT 16-2 A-P-A-E-AUUE 50 Hz



Note! All units are in [mm] unless others are stated.
Disclaimer: This simplified dimensional drawing does not show all details.

96108344 CRT 16-2 A-P-A-E-AUUE 50 Hz



Note! All units are in [mm] unless others are stated.