


| Position | Count | Description | | | | | | | | | | | | | | | | | | | | | | | | | | | | | | | | | | | | | | | | | | | | | | | | | | | | |
|------------------------------|-----------------------------|--|------------------|--------------------------|----------------------|-----------------------------|----------------|-------------------|-----------------------------|--------|----------|--------------------------|-------------------|--------------|------------------------|-----------|---------------------|---------|-----------------------|---------|-------------------------|-----------------|------------------|------------------|---------------|------------|--|------------|-----------|--------------|--|--------------|--------|------------|------------------------------|--------|------------------|-----|--------------|----|-----------------|------|-----------------------------|----------|-------------------|--------|-------------------|--------|-----------------|-------|----------------|---------------|--------------------|----------|
| | 1 | <p>SLV.65.65.11.EX.2.50B</p>  <p>Product No.: 96106578</p> <p>Non-self-priming, single-stage, centrifugal pump designed for handling wastewater, process water and unscreened raw sewage.</p> <p>The pump is designed for intermittent and continuous operations in submerged installation. The efficient SuperVortex impeller provides passage of long fibres and solids up to 2 9/16 in and is suitable for wastewater with a dry matter content of up to 5 %.</p> <p>A unique stainless-steel clamp assembling system enables quick and easy disassembly of the pump from the motor unit for service and inspection. No special tools are required. Pipework connection is via a DIN flange.</p> <p>The pump is explosion-proof.</p> <p>Controls:</p> <table> <tr> <td>Moisture sensor:</td> <td>without moisture sensors</td> </tr> <tr> <td>Water-in-oil sensor:</td> <td>without water-in-oil sensor</td> </tr> </table> <p>Liquid:</p> <table> <tr> <td>Pumped liquid:</td> <td>any viscous fluid</td> </tr> <tr> <td>Maximum liquid temperature:</td> <td>104 °F</td> </tr> <tr> <td>Density:</td> <td>62.29 lb/ft³</td> </tr> </table> <p>Technical:</p> <table> <tr> <td>Type of impeller:</td> <td>Super Vortex</td> </tr> <tr> <td>Maximum particle size:</td> <td>2 9/16 in</td> </tr> <tr> <td>Primary shaft seal:</td> <td>SIC/SIC</td> </tr> <tr> <td>Secondary shaft seal:</td> <td>LIPSEAL</td> </tr> <tr> <td>Approvals on nameplate:</td> <td>CE 0344-Ex-II26</td> </tr> <tr> <td>Curve tolerance:</td> <td>ISO9906:2012 3B2</td> </tr> </table> <p>Materials:</p> <table> <tr> <td>Pump housing:</td> <td>EN-GJL-200</td> </tr> <tr> <td></td> <td>EN-GJL-200</td> </tr> <tr> <td>Impeller:</td> <td>EN-GJS-500-7</td> </tr> <tr> <td></td> <td>EN-GJS-500-7</td> </tr> <tr> <td>Motor:</td> <td>EN-GJL-200</td> </tr> </table> <p>Installation:</p> <table> <tr> <td>Maximum ambient temperature:</td> <td>104 °F</td> </tr> <tr> <td>Flange standard:</td> <td>DIN</td> </tr> <tr> <td>Pump outlet:</td> <td>65</td> </tr> <tr> <td>Pressure stage:</td> <td>PN10</td> </tr> <tr> <td>Maximum installation depth:</td> <td>32.81 ft</td> </tr> </table> <p>Electrical data:</p> <table> <tr> <td>Power input - P1:</td> <td>1.6 kW</td> </tr> <tr> <td>Rated power - P2:</td> <td>1.5 HP</td> </tr> <tr> <td>Main frequency:</td> <td>50 Hz</td> </tr> <tr> <td>Rated voltage:</td> <td>3 x 400-415 V</td> </tr> <tr> <td>Voltage tolerance:</td> <td>+6/-10 %</td> </tr> </table> | Moisture sensor: | without moisture sensors | Water-in-oil sensor: | without water-in-oil sensor | Pumped liquid: | any viscous fluid | Maximum liquid temperature: | 104 °F | Density: | 62.29 lb/ft ³ | Type of impeller: | Super Vortex | Maximum particle size: | 2 9/16 in | Primary shaft seal: | SIC/SIC | Secondary shaft seal: | LIPSEAL | Approvals on nameplate: | CE 0344-Ex-II26 | Curve tolerance: | ISO9906:2012 3B2 | Pump housing: | EN-GJL-200 | | EN-GJL-200 | Impeller: | EN-GJS-500-7 | | EN-GJS-500-7 | Motor: | EN-GJL-200 | Maximum ambient temperature: | 104 °F | Flange standard: | DIN | Pump outlet: | 65 | Pressure stage: | PN10 | Maximum installation depth: | 32.81 ft | Power input - P1: | 1.6 kW | Rated power - P2: | 1.5 HP | Main frequency: | 50 Hz | Rated voltage: | 3 x 400-415 V | Voltage tolerance: | +6/-10 % |
| Moisture sensor: | without moisture sensors | | | | | | | | | | | | | | | | | | | | | | | | | | | | | | | | | | | | | | | | | | | | | | | | | | | | | |
| Water-in-oil sensor: | without water-in-oil sensor | | | | | | | | | | | | | | | | | | | | | | | | | | | | | | | | | | | | | | | | | | | | | | | | | | | | | |
| Pumped liquid: | any viscous fluid | | | | | | | | | | | | | | | | | | | | | | | | | | | | | | | | | | | | | | | | | | | | | | | | | | | | | |
| Maximum liquid temperature: | 104 °F | | | | | | | | | | | | | | | | | | | | | | | | | | | | | | | | | | | | | | | | | | | | | | | | | | | | | |
| Density: | 62.29 lb/ft ³ | | | | | | | | | | | | | | | | | | | | | | | | | | | | | | | | | | | | | | | | | | | | | | | | | | | | | |
| Type of impeller: | Super Vortex | | | | | | | | | | | | | | | | | | | | | | | | | | | | | | | | | | | | | | | | | | | | | | | | | | | | | |
| Maximum particle size: | 2 9/16 in | | | | | | | | | | | | | | | | | | | | | | | | | | | | | | | | | | | | | | | | | | | | | | | | | | | | | |
| Primary shaft seal: | SIC/SIC | | | | | | | | | | | | | | | | | | | | | | | | | | | | | | | | | | | | | | | | | | | | | | | | | | | | | |
| Secondary shaft seal: | LIPSEAL | | | | | | | | | | | | | | | | | | | | | | | | | | | | | | | | | | | | | | | | | | | | | | | | | | | | | |
| Approvals on nameplate: | CE 0344-Ex-II26 | | | | | | | | | | | | | | | | | | | | | | | | | | | | | | | | | | | | | | | | | | | | | | | | | | | | | |
| Curve tolerance: | ISO9906:2012 3B2 | | | | | | | | | | | | | | | | | | | | | | | | | | | | | | | | | | | | | | | | | | | | | | | | | | | | | |
| Pump housing: | EN-GJL-200 | | | | | | | | | | | | | | | | | | | | | | | | | | | | | | | | | | | | | | | | | | | | | | | | | | | | | |
| | EN-GJL-200 | | | | | | | | | | | | | | | | | | | | | | | | | | | | | | | | | | | | | | | | | | | | | | | | | | | | | |
| Impeller: | EN-GJS-500-7 | | | | | | | | | | | | | | | | | | | | | | | | | | | | | | | | | | | | | | | | | | | | | | | | | | | | | |
| | EN-GJS-500-7 | | | | | | | | | | | | | | | | | | | | | | | | | | | | | | | | | | | | | | | | | | | | | | | | | | | | | |
| Motor: | EN-GJL-200 | | | | | | | | | | | | | | | | | | | | | | | | | | | | | | | | | | | | | | | | | | | | | | | | | | | | | |
| Maximum ambient temperature: | 104 °F | | | | | | | | | | | | | | | | | | | | | | | | | | | | | | | | | | | | | | | | | | | | | | | | | | | | | |
| Flange standard: | DIN | | | | | | | | | | | | | | | | | | | | | | | | | | | | | | | | | | | | | | | | | | | | | | | | | | | | | |
| Pump outlet: | 65 | | | | | | | | | | | | | | | | | | | | | | | | | | | | | | | | | | | | | | | | | | | | | | | | | | | | | |
| Pressure stage: | PN10 | | | | | | | | | | | | | | | | | | | | | | | | | | | | | | | | | | | | | | | | | | | | | | | | | | | | | |
| Maximum installation depth: | 32.81 ft | | | | | | | | | | | | | | | | | | | | | | | | | | | | | | | | | | | | | | | | | | | | | | | | | | | | | |
| Power input - P1: | 1.6 kW | | | | | | | | | | | | | | | | | | | | | | | | | | | | | | | | | | | | | | | | | | | | | | | | | | | | | |
| Rated power - P2: | 1.5 HP | | | | | | | | | | | | | | | | | | | | | | | | | | | | | | | | | | | | | | | | | | | | | | | | | | | | | |
| Main frequency: | 50 Hz | | | | | | | | | | | | | | | | | | | | | | | | | | | | | | | | | | | | | | | | | | | | | | | | | | | | | |
| Rated voltage: | 3 x 400-415 V | | | | | | | | | | | | | | | | | | | | | | | | | | | | | | | | | | | | | | | | | | | | | | | | | | | | | |
| Voltage tolerance: | +6/-10 % | | | | | | | | | | | | | | | | | | | | | | | | | | | | | | | | | | | | | | | | | | | | | | | | | | | | | |



Company name:

Created by:

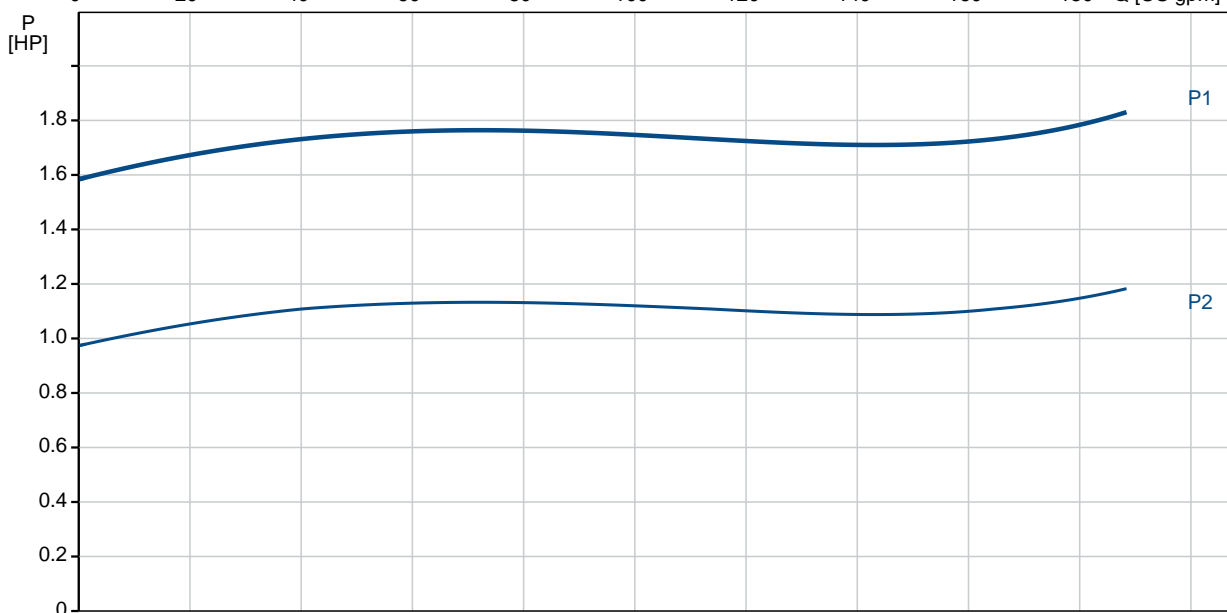
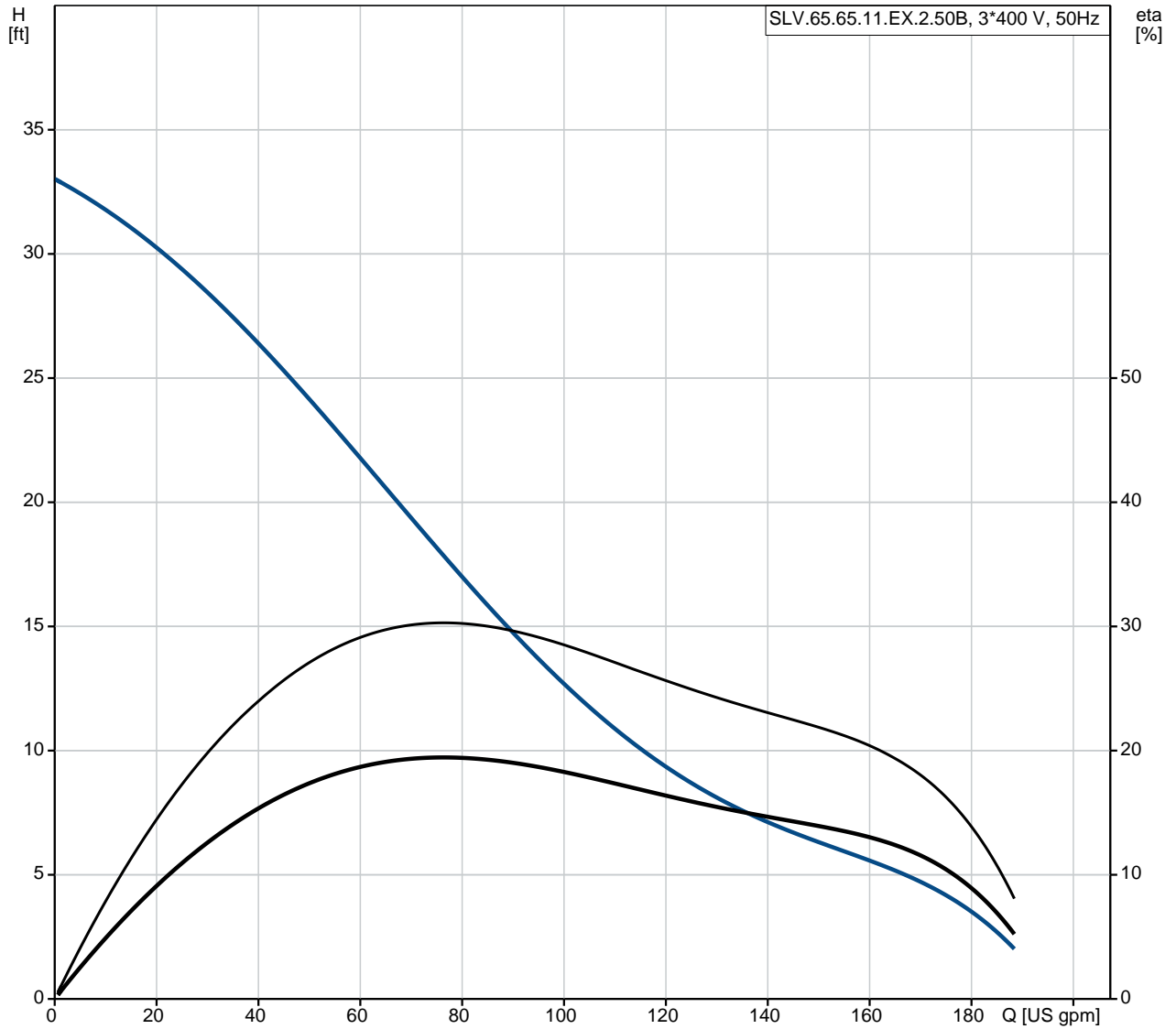
Phone:

Date:

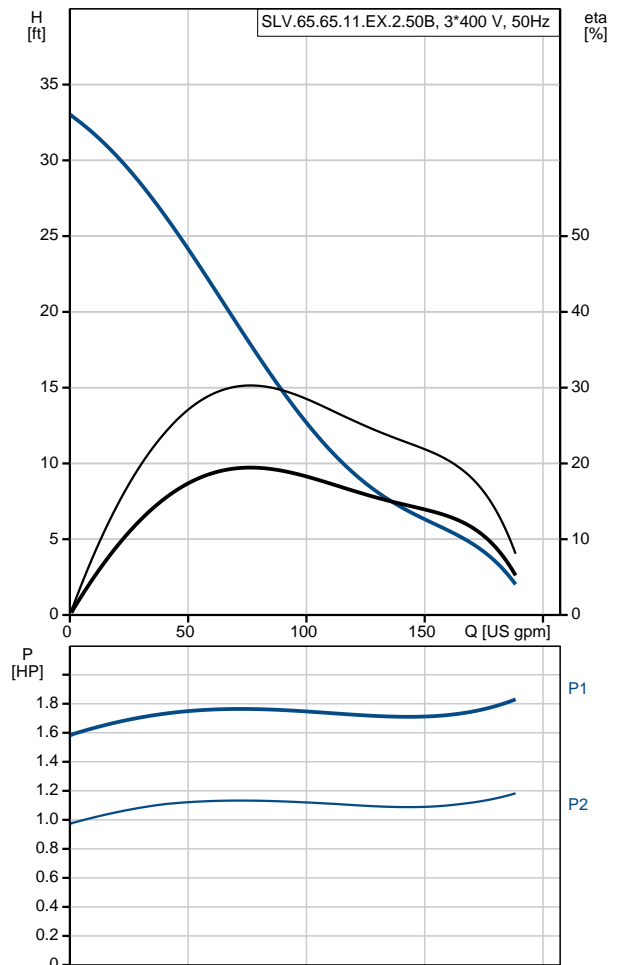
12/3/2018

| Position | Count | Description |
|----------|-------|-------------------------------------|
| | | Max starts per. hour: 30 |
| | | Rated current: 3.1-3.1 A |
| | | Rated current at 3/4 load: 2.7 A |
| | | Rated current at 1/2 load: 2.2 A |
| | | Starting current: 21 A |
| | | Rated current at no load: 1.9 A |
| | | Cos phi - power factor: 0.81 |
| | | Cos phi - p.f. at 3/4 load: 0.74 |
| | | Cos phi - p.f. at 1/2 load: 0.63 |
| | | Rated speed: 2830 rpm |
| | | Motor efficiency at full load: 67 % |
| | | Motor efficiency at 3/4 load: 64 % |
| | | Motor efficiency at 1/2 load: 57 % |
| | | Start. method: direct-on-line |
| | | Enclosure class (IEC 34-5): IP68 |
| | | Insulation class (IEC 85): F |
| | | Explosion proof: yes |
| | | Length of cable: 33 ft |
| | | Cable type: H07RN-F |
| | | Others: |
| | | Net weight: 106 lb |
| | | Danish VVS No.: 391297533 |
| | | Country of origin: HU |
| | | Custom tariff no.: 84137021 |

96106578 SLV.65.65.11.EX.2.50B 50 Hz



| Description | Value |
|--------------------------------|--------------------------|
| General information: | |
| Product name: | SLV.65.65.11.EX.2.50B |
| Product No.: | 96106578 |
| EAN: | 5700396855585 |
| Technical: | |
| Max flow: | 188 US gpm |
| Head max: | 31.17 ft |
| Type of impeller: | Super Vortex |
| Maximum particle size: | 2 9/16 in |
| Primary shaft seal: | SIC/SIC |
| Secondary shaft seal: | LIPSEAL |
| Approvals on nameplate: | CE 0344-Ex-II26 |
| Curve tolerance: | ISO9906:2012 3B2 |
| Cooling jacket: | without cooling jacket |
| Materials: | |
| Pump housing: | EN-GJL-200 |
| | EN-GJL-200 |
| Impeller: | EN-GJS-500-7 |
| | EN-GJS-500-7 |
| Motor: | EN-GJL-200 |
| Installation: | |
| Maximum ambient temperature: | 104 °F |
| Flange standard: | DIN |
| Pump outlet: | 65 |
| Pressure stage: | PN10 |
| Maximum installation depth: | 32.81 ft |
| Inst dry/wet: | SUBMERGED |
| Installation: | Vertical |
| Liquid: | |
| Pumped liquid: | any viscous fluid |
| Maximum liquid temperature: | 104 °F |
| Density: | 62.29 lb/ft ³ |
| Electrical data: | |
| Power input - P1: | 1.6 kW |
| Rated power - P2: | 1.5 HP |
| Main frequency: | 50 Hz |
| Rated voltage: | 3 x 400-415 V |
| Voltage tolerance: | +6/-10 % |
| Max starts per. hour: | 30 |
| Rated current: | 3.1-3.1 A |
| Rated current at 3/4 load: | 2.7 A |
| Rated current at 1/2 load: | 2.2 A |
| Starting current: | 21 A |
| Rated current at no load: | 1.9 A |
| Cos phi - power factor: | 0.81 |
| Cos phi - p.f. at 3/4 load: | 0.74 |
| Cos phi - p.f. at 1/2 load: | 0.63 |
| Rated speed: | 2830 rpm |
| Motor efficiency at full load: | 67 % |
| Motor efficiency at 3/4 load: | 64 % |
| Motor efficiency at 1/2 load: | 57 % |
| Start. method: | direct-on-line |
| Enclosure class (IEC 34-5): | IP68 |
| Insulation class (IEC 85): | F |
| Explosion proof: | yes |
| Motor protection: | THERMAL SWITCH |
| Length of cable: | 33 ft |
| Cable type: | H07RN-F |





Company name:

Created by:

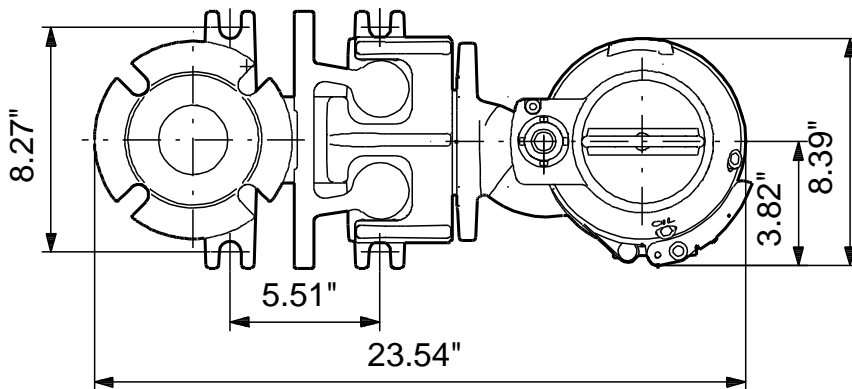
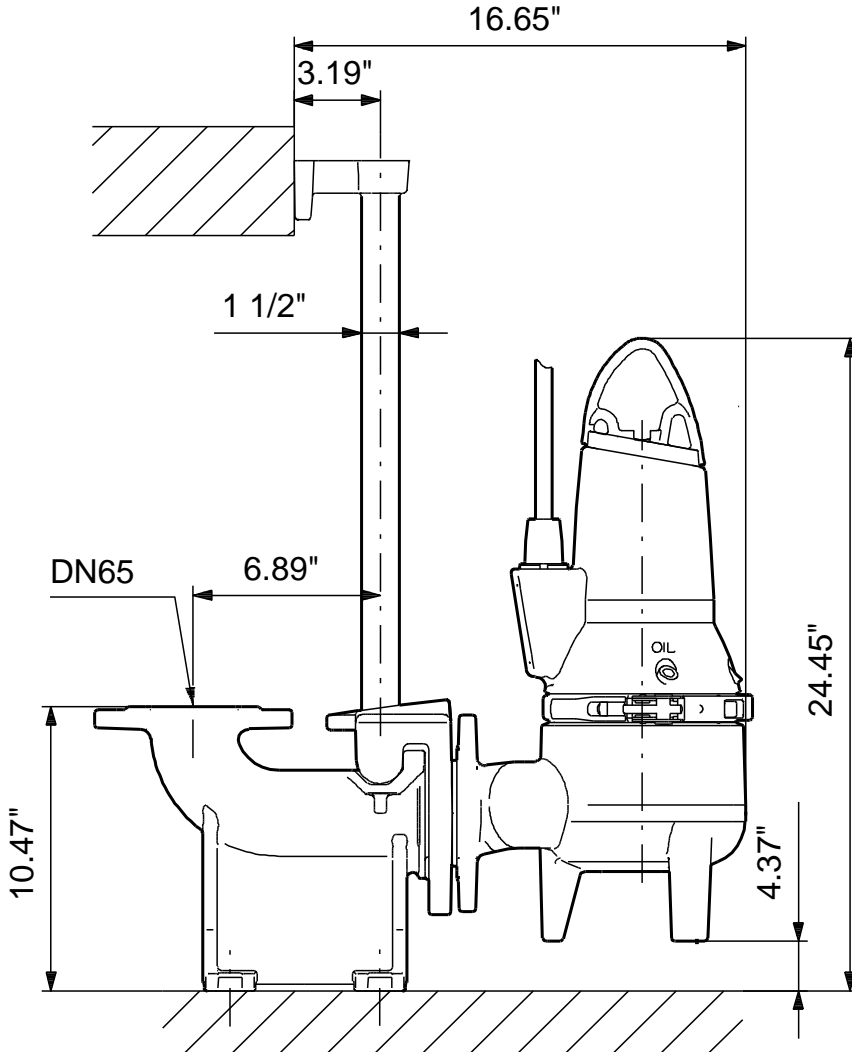
Phone:

Date:

12/3/2018

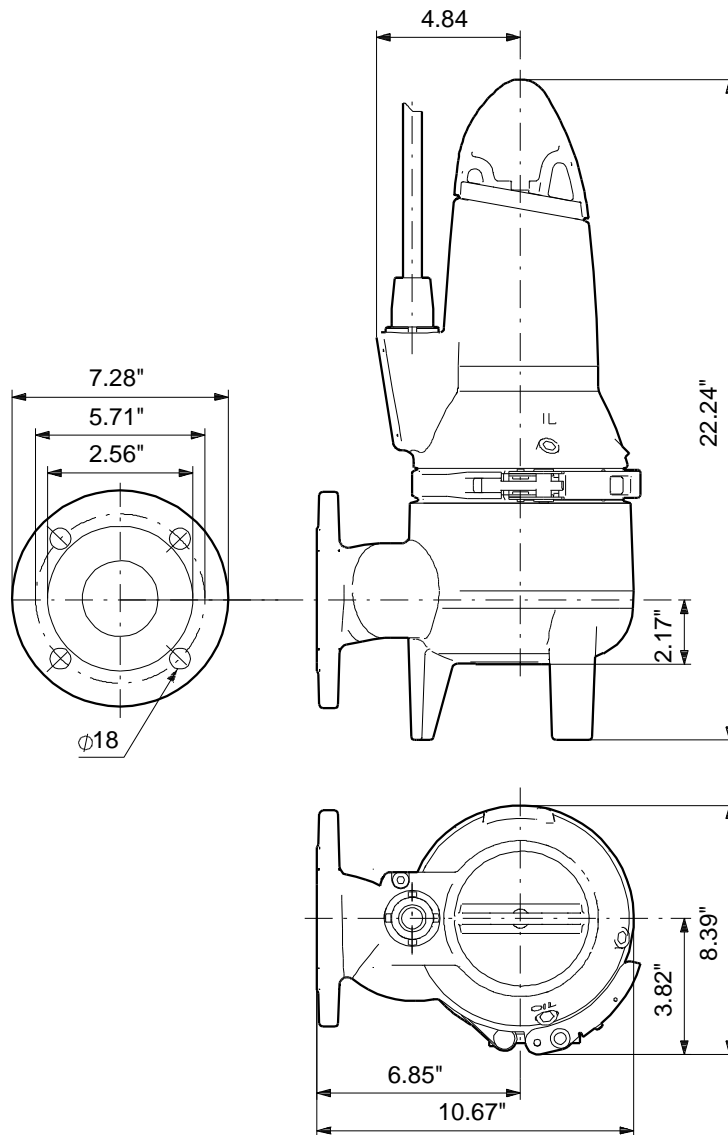
| Description | Value |
|----------------------|-----------------------------|
| Controls: | |
| Control box: | not included |
| Moisture sensor: | without moisture sensors |
| Water-in-oil sensor: | without water-in-oil sensor |
| Others: | |
| Net weight: | 106 lb |
| Danish VVS No.: | 391297533 |
| Country of origin: | HU |
| Custom tariff no.: | 84137021 |

96106578 SLV.65.65.11.EX.2.50B 50 Hz



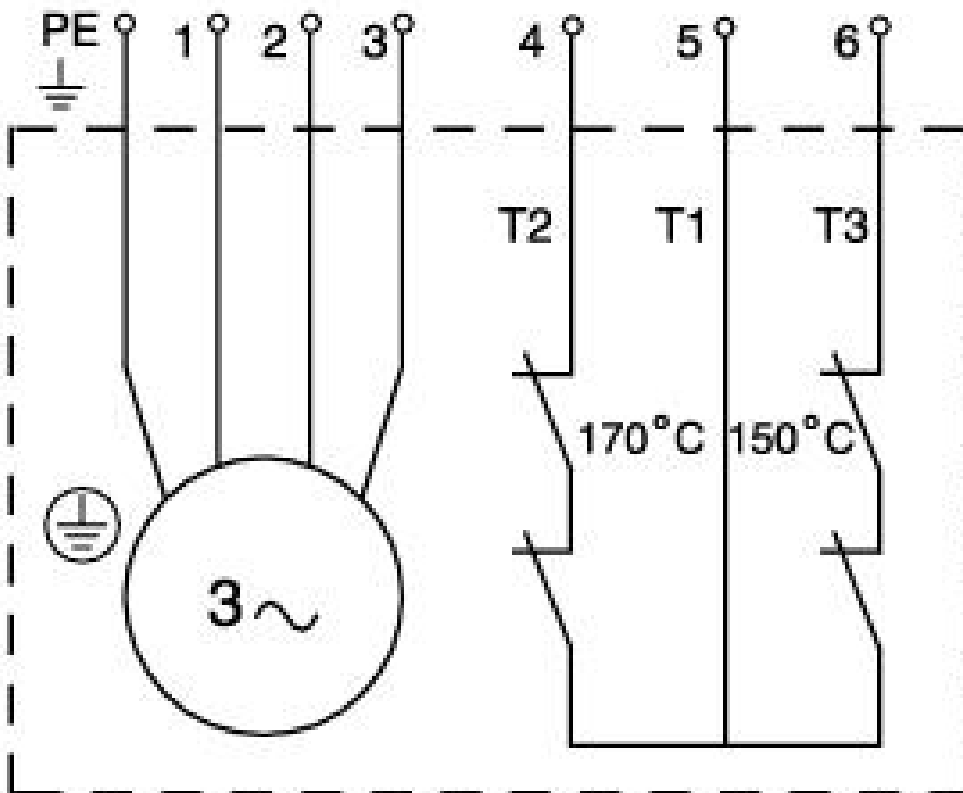
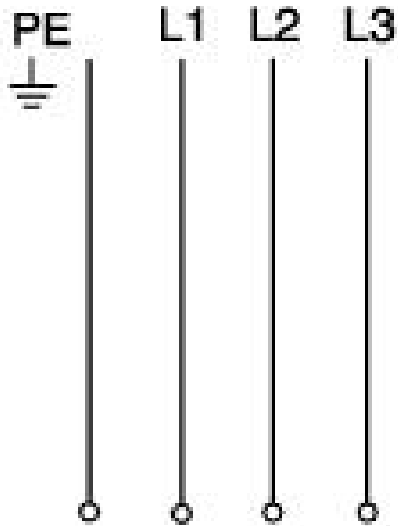
Note! All units are in [mm] unless otherwise stated.
Disclaimer: This simplified dimensional drawing does not show all details.

96106578 SLV.65.65.11.EX.2.50B 50 Hz



Note! All units are in [mm] unless otherwise stated.
Disclaimer: This simplified dimensional drawing does not show all details.

96106578 SLV.65.65.11.EX.2.50B 50 Hz



All units are [mm] unless otherwise presented.