


Position	Count	Description																																																				
	1	<p>SLV.65.65.11.2.50B</p>  <p>Product No.: 96106577</p> <p>Non-self-priming, single-stage, centrifugal pump designed for handling wastewater, process water and unscreened raw sewage.</p> <p>The pump is designed for intermittent and continuous operations in submerged installation. The efficient SuperVortex impeller provides passage of long fibres and solids up to 2 9/16 in and is suitable for wastewater with a dry matter content of up to 5 %.</p> <p>A unique stainless-steel clamp assembling system enables quick and easy disassembly of the pump from the motor unit for service and inspection. No special tools are required. Pipework connection is via a DIN flange.</p> <p>Controls:</p> <table> <tr> <td>Moisture sensor:</td> <td>without moisture sensors</td> </tr> <tr> <td>Water-in-oil sensor:</td> <td>without water-in-oil sensor</td> </tr> </table> <p>Liquid:</p> <table> <tr> <td>Pumped liquid:</td> <td>any viscous fluid</td> </tr> <tr> <td>Maximum liquid temperature:</td> <td>104 °F</td> </tr> <tr> <td>Density:</td> <td>62.29 lb/ft³</td> </tr> </table> <p>Technical:</p> <table> <tr> <td>Type of impeller:</td> <td>Super Vortex</td> </tr> <tr> <td>Maximum particle size:</td> <td>2 9/16 in</td> </tr> <tr> <td>Primary shaft seal:</td> <td>SIC/SIC</td> </tr> <tr> <td>Secondary shaft seal:</td> <td>LIPSEAL</td> </tr> <tr> <td>Approvals on nameplate:</td> <td>LGA</td> </tr> <tr> <td>Curve tolerance:</td> <td>ISO9906:2012 3B2</td> </tr> </table> <p>Materials:</p> <table> <tr> <td>Pump housing:</td> <td>EN-GJL-200</td> </tr> <tr> <td></td> <td>EN-GJL-200</td> </tr> <tr> <td>Impeller:</td> <td>EN-GJS-500-7</td> </tr> <tr> <td></td> <td>EN-GJS-500-7</td> </tr> <tr> <td>Motor:</td> <td>EN-GJL-200</td> </tr> </table> <p>Installation:</p> <table> <tr> <td>Maximum ambient temperature:</td> <td>104 °F</td> </tr> <tr> <td>Flange standard:</td> <td>DIN</td> </tr> <tr> <td>Pump inlet:</td> <td>65</td> </tr> <tr> <td>Pump outlet:</td> <td>65</td> </tr> <tr> <td>Pressure stage:</td> <td>PN10</td> </tr> <tr> <td>Maximum installation depth:</td> <td>32.81 ft</td> </tr> </table> <p>Electrical data:</p> <table> <tr> <td>Power input - P1:</td> <td>1.6 kW</td> </tr> <tr> <td>Rated power - P2:</td> <td>1.5 HP</td> </tr> <tr> <td>Main frequency:</td> <td>50 Hz</td> </tr> <tr> <td>Rated voltage:</td> <td>3 x 400-415 V</td> </tr> </table>	Moisture sensor:	without moisture sensors	Water-in-oil sensor:	without water-in-oil sensor	Pumped liquid:	any viscous fluid	Maximum liquid temperature:	104 °F	Density:	62.29 lb/ft ³	Type of impeller:	Super Vortex	Maximum particle size:	2 9/16 in	Primary shaft seal:	SIC/SIC	Secondary shaft seal:	LIPSEAL	Approvals on nameplate:	LGA	Curve tolerance:	ISO9906:2012 3B2	Pump housing:	EN-GJL-200		EN-GJL-200	Impeller:	EN-GJS-500-7		EN-GJS-500-7	Motor:	EN-GJL-200	Maximum ambient temperature:	104 °F	Flange standard:	DIN	Pump inlet:	65	Pump outlet:	65	Pressure stage:	PN10	Maximum installation depth:	32.81 ft	Power input - P1:	1.6 kW	Rated power - P2:	1.5 HP	Main frequency:	50 Hz	Rated voltage:	3 x 400-415 V
Moisture sensor:	without moisture sensors																																																					
Water-in-oil sensor:	without water-in-oil sensor																																																					
Pumped liquid:	any viscous fluid																																																					
Maximum liquid temperature:	104 °F																																																					
Density:	62.29 lb/ft ³																																																					
Type of impeller:	Super Vortex																																																					
Maximum particle size:	2 9/16 in																																																					
Primary shaft seal:	SIC/SIC																																																					
Secondary shaft seal:	LIPSEAL																																																					
Approvals on nameplate:	LGA																																																					
Curve tolerance:	ISO9906:2012 3B2																																																					
Pump housing:	EN-GJL-200																																																					
	EN-GJL-200																																																					
Impeller:	EN-GJS-500-7																																																					
	EN-GJS-500-7																																																					
Motor:	EN-GJL-200																																																					
Maximum ambient temperature:	104 °F																																																					
Flange standard:	DIN																																																					
Pump inlet:	65																																																					
Pump outlet:	65																																																					
Pressure stage:	PN10																																																					
Maximum installation depth:	32.81 ft																																																					
Power input - P1:	1.6 kW																																																					
Rated power - P2:	1.5 HP																																																					
Main frequency:	50 Hz																																																					
Rated voltage:	3 x 400-415 V																																																					



Company name:

Created by:

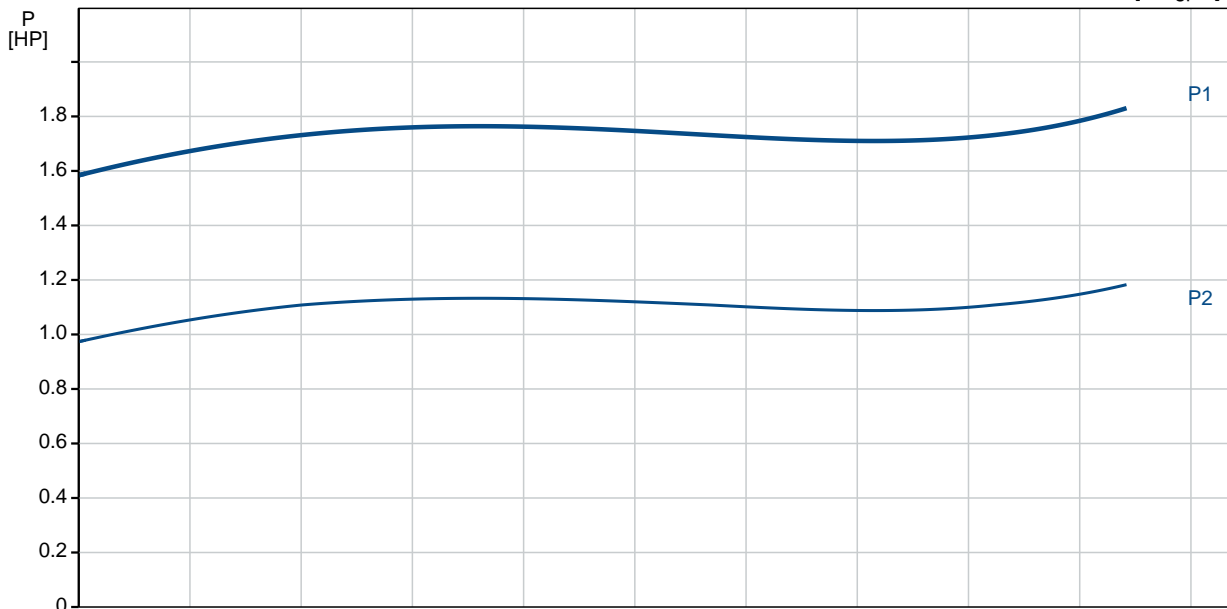
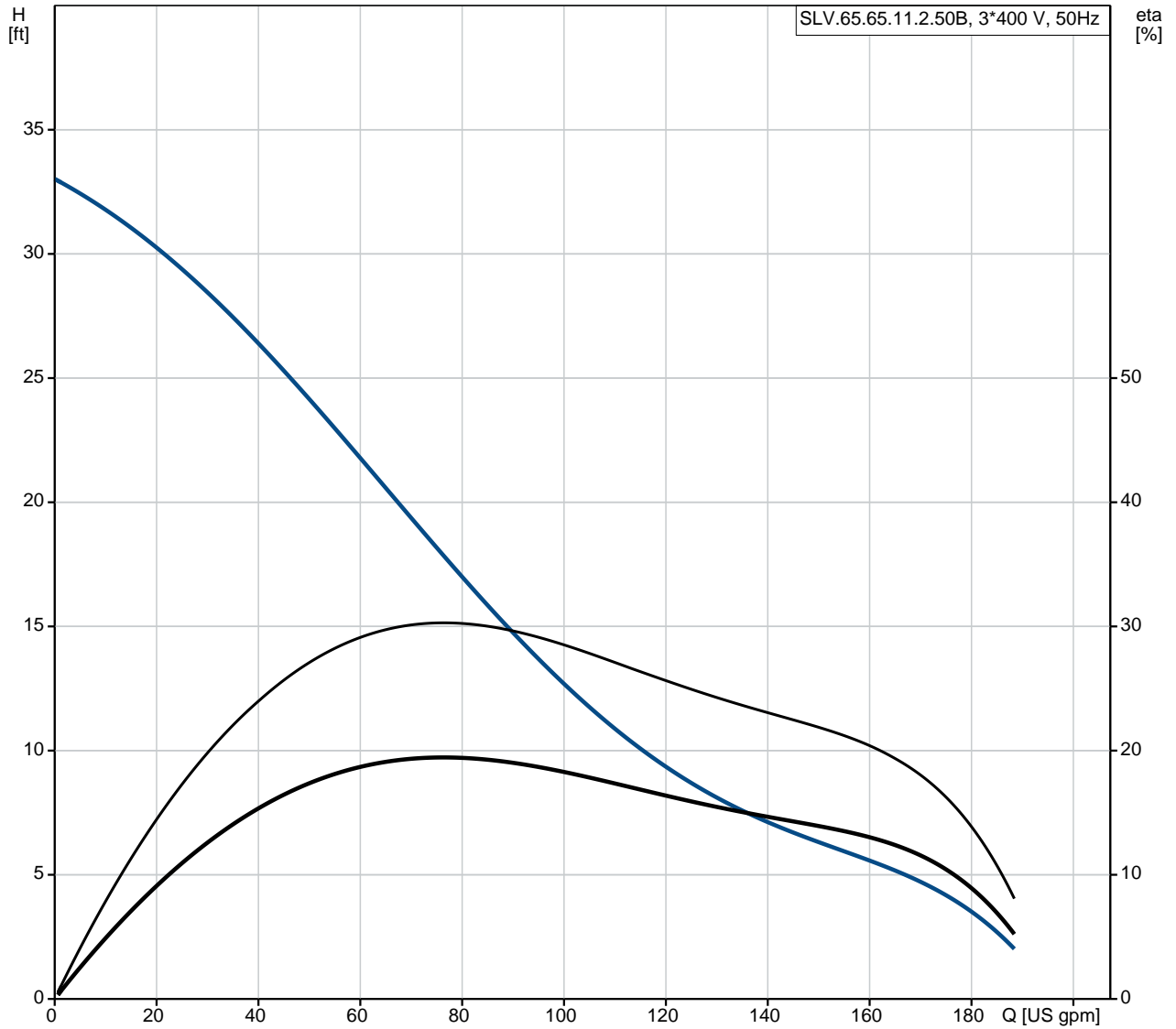
Phone:

Date:

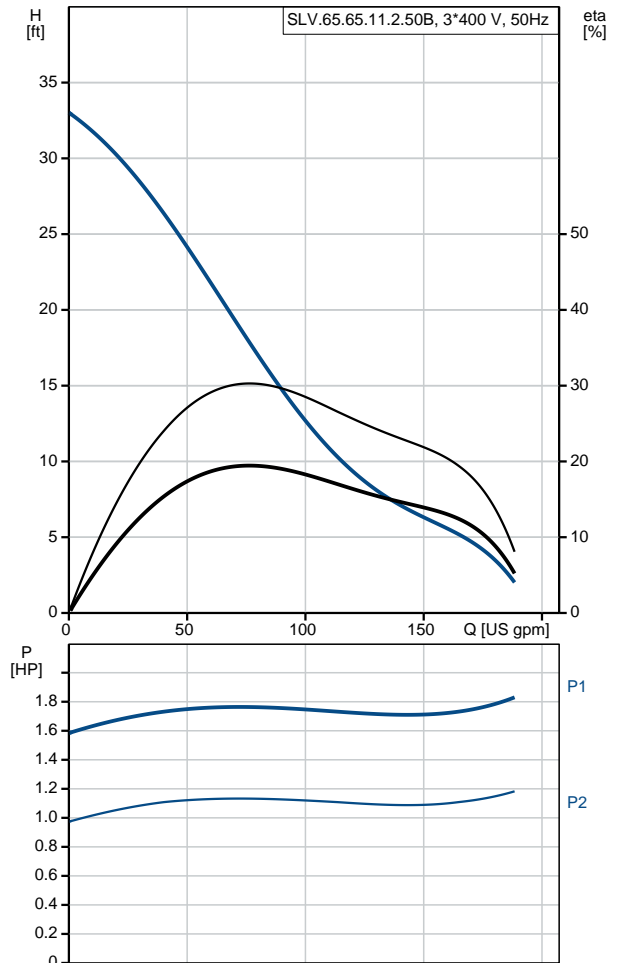
12/3/2018

Position	Count	Description
		Voltage tolerance: +6/-10 %
		Max starts per. hour: 30
		Rated current: 3.1-3.1 A
		Rated current at 3/4 load: 2.7 A
		Rated current at 1/2 load: 2.2 A
		Starting current: 21 A
		Rated current at no load: 1.9 A
		Cos phi - power factor: 0.81
		Cos phi - p.f. at 3/4 load: 0.74
		Cos phi - p.f. at 1/2 load: 0.63
		Rated speed: 2830 rpm
		Motor efficiency at full load: 67 %
		Motor efficiency at 3/4 load: 64 %
		Motor efficiency at 1/2 load: 57 %
		Start. method: direct-on-line
		Enclosure class (IEC 34-5): IP68
		Insulation class (IEC 85): F
		Explosion proof: no
		Length of cable: 33 ft
		Cable type: H07RN-F
		Others:
		Net weight: 103 lb
		Danish VVS No.: 391297133
		Country of origin: HU
		Custom tariff no.: 84137021

96106577 SLV.65.65.11.2.50B 50 Hz



Description	Value
General information:	
Product name:	SLV.65.65.11.2.50B
Product No.:	96106577
EAN:	5700396855523
Technical:	
Max flow:	188 US gpm
Head max:	31.17 ft
Type of impeller:	Super Vortex
Maximum particle size:	2 9/16 in
Primary shaft seal:	SIC/SIC
Secondary shaft seal:	LIPSEAL
Approvals on nameplate:	LGA
Curve tolerance:	ISO9906:2012 3B2
Cooling jacket:	without cooling jacket
Materials:	
Pump housing:	EN-GJL-200
	EN-GJL-200
Impeller:	EN-GJS-500-7
	EN-GJS-500-7
Motor:	EN-GJL-200
Installation:	
Maximum ambient temperature:	104 °F
Flange standard:	DIN
Pump inlet:	65
Pump outlet:	65
Pressure stage:	PN10
Maximum installation depth:	32.81 ft
Inst dry/wet:	SUBMERGED
Installation:	Vertical
Liquid:	
Pumped liquid:	any viscous fluid
Maximum liquid temperature:	104 °F
Density:	62.29 lb/ft ³
Electrical data:	
Power input - P1:	1.6 kW
Rated power - P2:	1.5 HP
Main frequency:	50 Hz
Rated voltage:	3 x 400-415 V
Voltage tolerance:	+6/-10 %
Max starts per. hour:	30
Rated current:	3.1-3.1 A
Rated current at 3/4 load:	2.7 A
Rated current at 1/2 load:	2.2 A
Starting current:	21 A
Rated current at no load:	1.9 A
Cos phi - power factor:	0.81
Cos phi - p.f. at 3/4 load:	0.74
Cos phi - p.f. at 1/2 load:	0.63
Rated speed:	2830 rpm
Motor efficiency at full load:	67 %
Motor efficiency at 3/4 load:	64 %
Motor efficiency at 1/2 load:	57 %
Start. method:	direct-on-line
Enclosure class (IEC 34-5):	IP68
Insulation class (IEC 85):	F
Explosion proof:	no
Motor protection:	THERMAL SWITCH
Length of cable:	33 ft





Company name:

Created by:

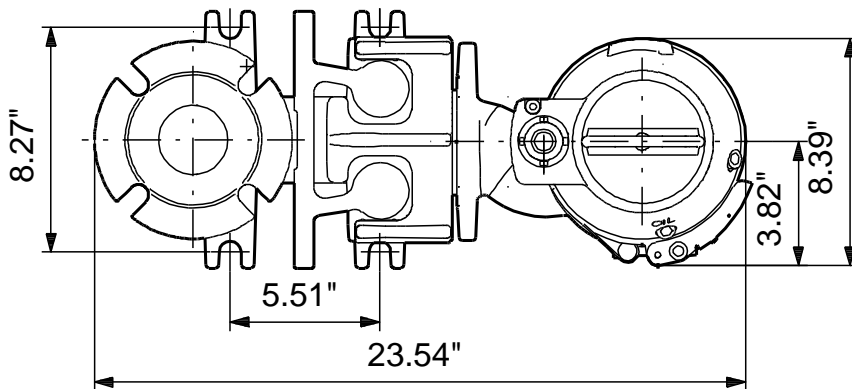
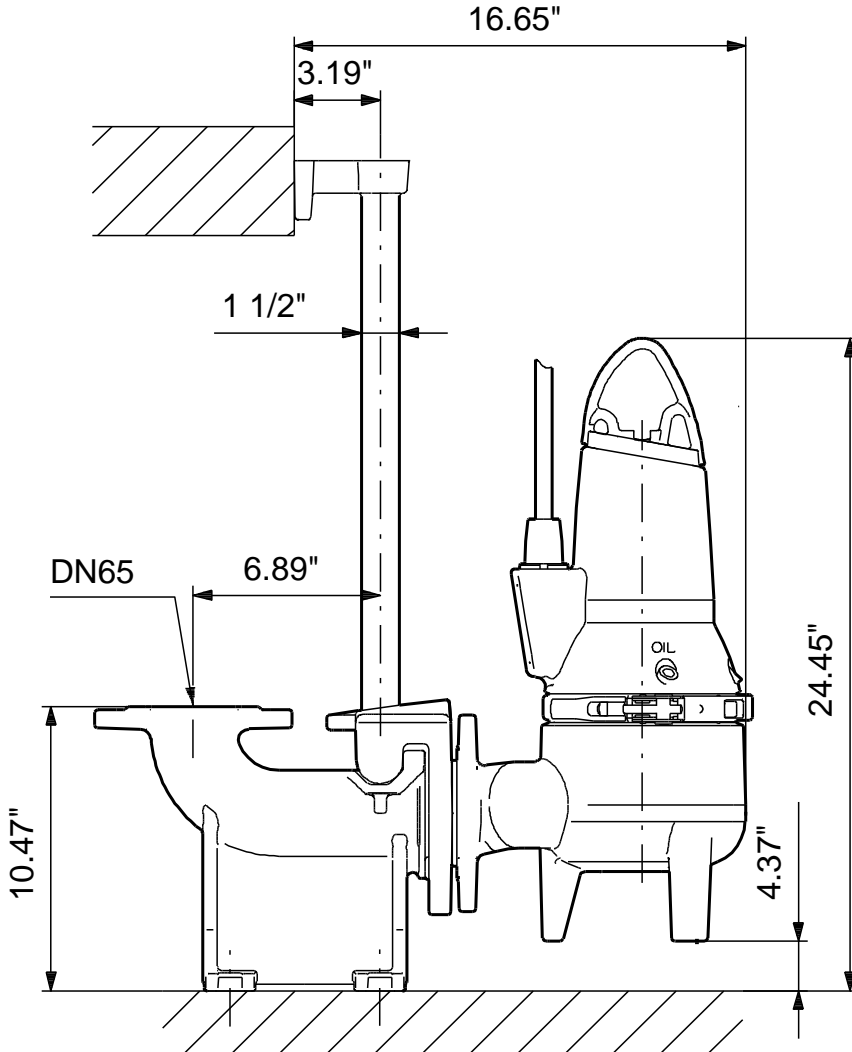
Phone:

Date:

12/3/2018

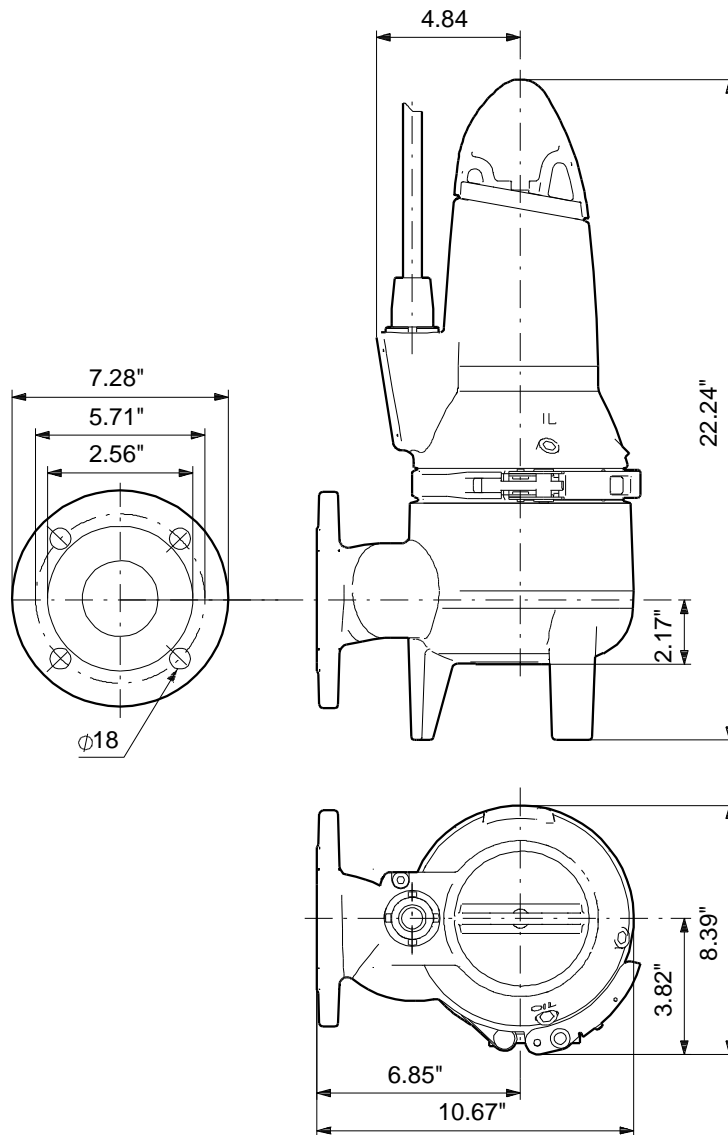
Description	Value
Cable type:	H07RN-F
Controls:	
Control box:	not included
Moisture sensor:	without moisture sensors
Water-in-oil sensor:	without water-in-oil sensor
Others:	
Net weight:	103 lb
Danish VVS No.:	391297133
Country of origin:	HU
Custom tariff no.:	84137021

96106577 SLV.65.65.11.2.50B 50 Hz



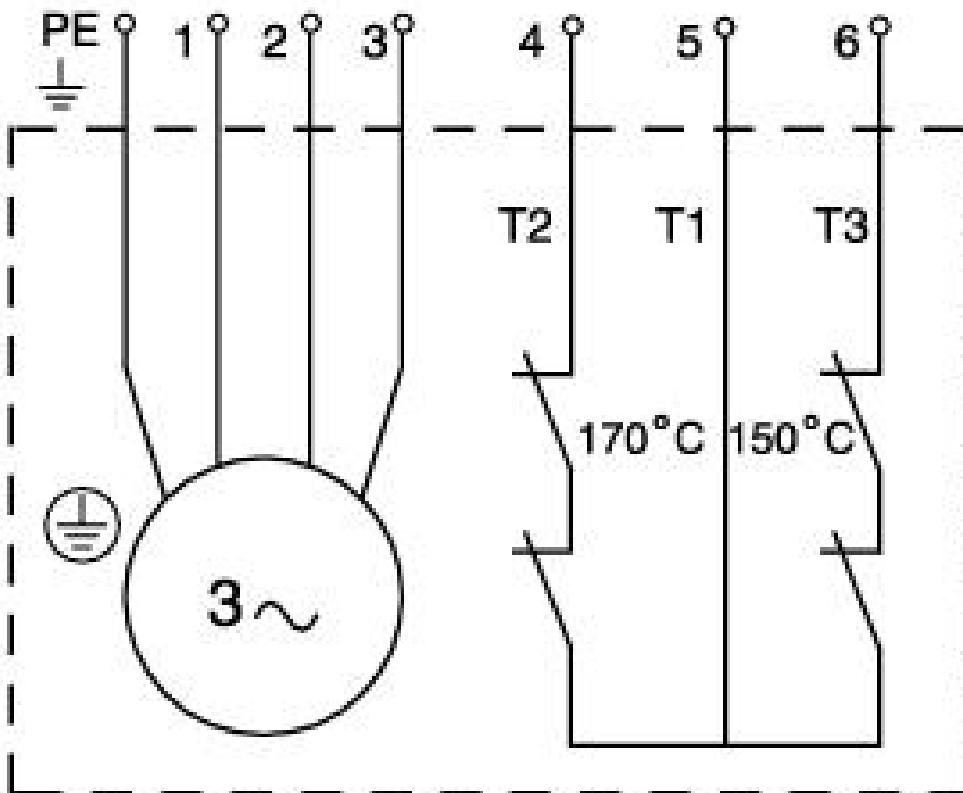
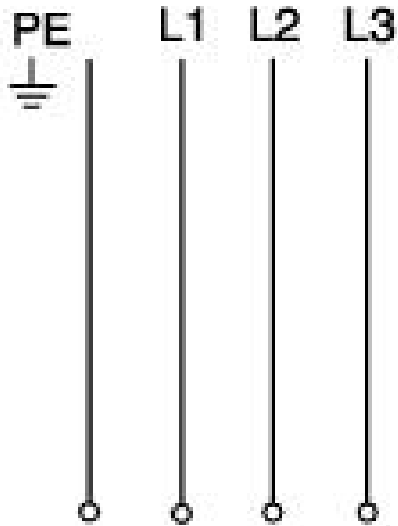
Note! All units are in [mm] unless otherwise stated.
Disclaimer: This simplified dimensional drawing does not show all details.

96106577 SLV.65.65.11.2.50B 50 Hz



Note! All units are in [mm] unless otherwise stated.
Disclaimer: This simplified dimensional drawing does not show all details.

96106577 SLV.65.65.11.2.50B 50 Hz



All units are [mm] unless otherwise presented.