
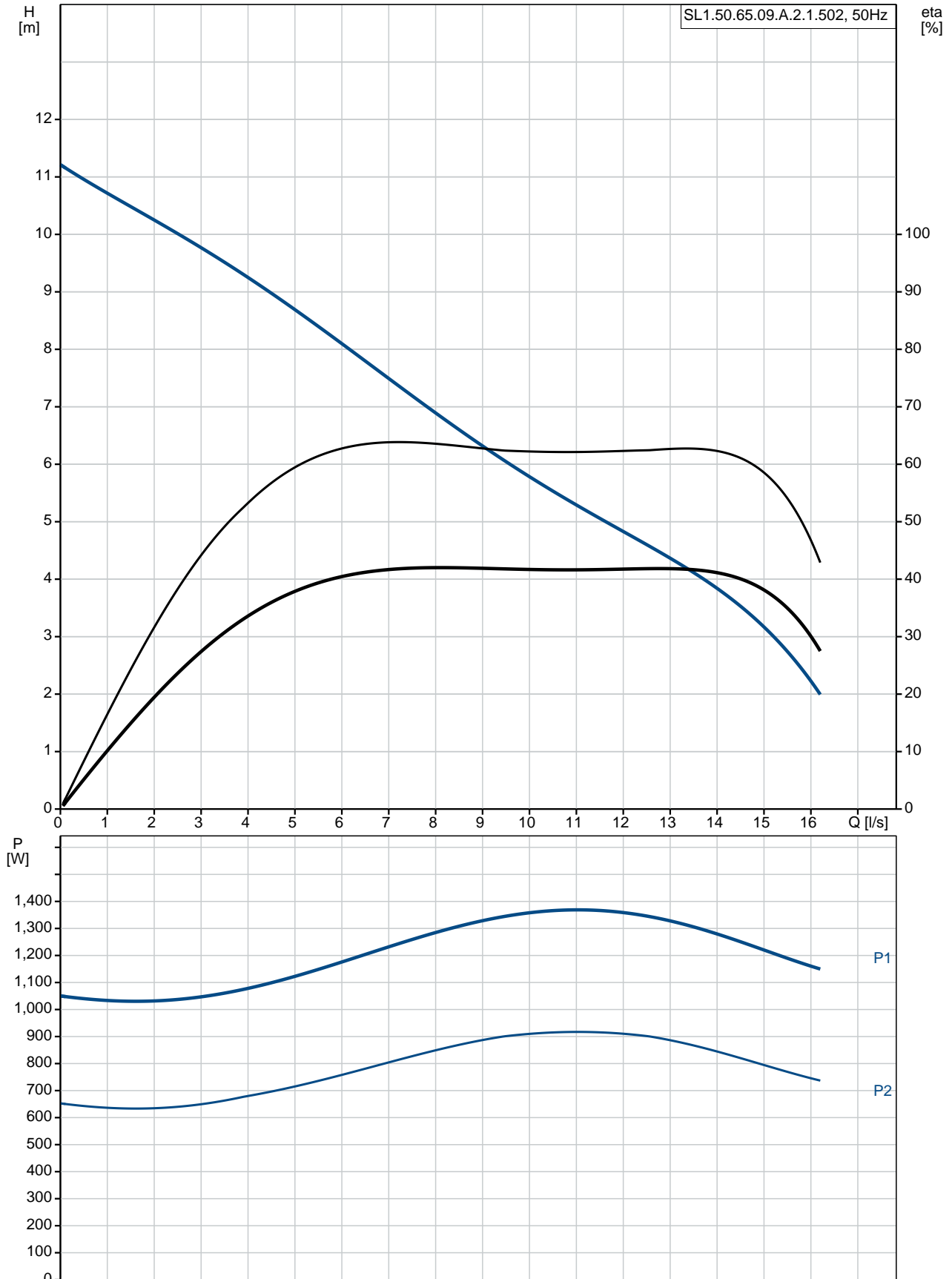


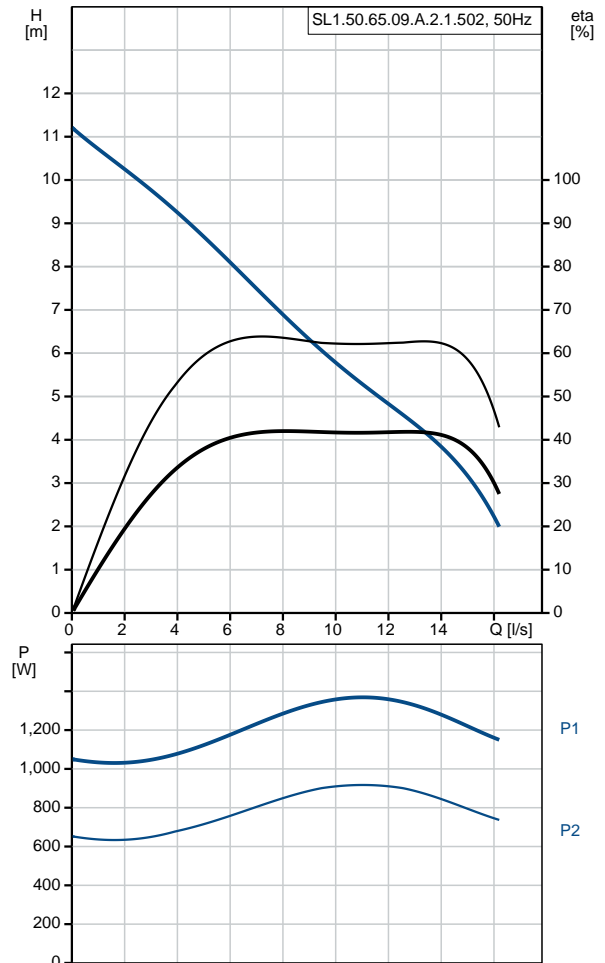
Position	Qty.	Description
	1	<p>SL1.50.65.09.A.2.1.502</p>  <p>Product No.: 96106564</p> <p>Non-self-priming, single-stage, centrifugal pump designed for handling wastewater, process water and unscreened raw sewage.</p> <p>The pump is designed for intermittent and continuous operations in submerged installation. The revolutionary S-tube® impeller provides free spherical passage of solids up to 50 mm and is suitable for wastewater with a dry matter content of up to 3 %.</p> <p>A unique stainless-steel clamp assembling system enables quick and easy disassembly of the pump from the motor unit for service and inspection. No special tools are required. Pipework connection is via a DIN flange.</p> <p>Controls:</p> <p>Moisture sensor: without moisture sensors Water-in-oil sensor: without water-in-oil sensor</p> <p>Liquid:</p> <p>Pumped liquid: Any Newtonian liquid Maximum liquid temperature: 40 °C Density: 998.2 kg/m³</p> <p>Technical:</p> <p>Type of impeller: SINGLE CHANNEL Maximum particle size: 50 mm Primary shaft seal: SIC/SIC Secondary shaft seal: LIPSEAL Approvals on nameplate: EN 12050-2 Curve tolerance: ISO9906:2012 3B2</p> <p>Materials:</p> <p>Pump housing: EN-GJL-200 EN-GJL-200 Impeller: EN-GJS-500-7 EN-GJS-500-7 Motor: EN-GJL-200</p> <p>Installation:</p> <p>Maximum ambient temperature: 40 °C Flange standard: DIN Pump inlet: 65 Pump outlet: 65 Pressure rating: PN10 Maximum installation depth: 10 m</p> <p>Electrical data:</p> <p>Power input - P1: 1.3 kW Rated power - P2: 0.9 kW Mains frequency: 50 Hz Rated voltage: 1 x 230 V</p>

Position	Qty.	Description
		Voltage tolerance: +6/-10 % Max starts per. hour: 30 Rated current: 6.1 A Rated current at 3/4 load: 5.1 A Rated current at 1/2 load: 4.1 A Starting current: 38 A Rated current at no load: 2.6 A Cos phi - power factor: 0.96 Cos phi - p.f. at 3/4 load: 0.92 Cos phi - p.f. at 1/2 load: 0.86 Rated speed: 2920 rpm Motor efficiency at full load: 67 % Motor efficiency at 3/4 load: 63 % Motor efficiency at 1/2 load: 55 % Capacitor size - run: 30 µF Start. method: direct-on-line Enclosure class (IEC 34-5): IP68 Insulation class (IEC 85): F Explosion proof: no Length of cable: 10 m Cable type: H07RN-F Others: Net weight: 54.3 kg Danish VVS No.: 391294313

96106564 SL1.50.65.09.A.2.1.502 50 Hz



Description	Value
General information:	
Product name:	SL1.50.65.09.A.2.1.502
Product No:	96106564
EAN number:	5700396854496
Technical:	
Max flow:	16.2 l/s
Head max:	11.5 m
Type of impeller:	SINGLE CHANNEL
Maximum particle size:	50 mm
Primary shaft seal:	SIC/SIC
Secondary shaft seal:	LIPSEAL
Approvals on nameplate:	EN 12050-2
Curve tolerance:	ISO9906:2012 3B2
Cooling jacket:	without cooling jacket
Materials:	
Pump housing:	EN-GJL-200
	EN-GJL-200
Impeller:	EN-GJS-500-7
	EN-GJS-500-7
Motor:	EN-GJL-200
Installation:	
Maximum ambient temperature:	40 °C
Flange standard:	DIN
Pump inlet:	65
Pump outlet:	65
Pressure rating:	PN10
Maximum installation depth:	10 m
Inst dry/wet:	SUBMERGED
Installation:	Vertical
Liquid:	
Pumped liquid:	Any Newtonian liquid
Maximum liquid temperature:	40 °C
Density:	998.2 kg/m ³
Electrical data:	
Power input - P1:	1.3 kW
Rated power - P2:	0.9 kW
Mains frequency:	50 Hz
Rated voltage:	1 x 230 V
Voltage tolerance:	+6/-10 %
Max starts per. hour:	30
Rated current:	6.1 A
Rated current at 3/4 load:	5.1 A
Rated current at 1/2 load:	4.1 A
Starting current:	38 A
Rated current at no load:	2.6 A
Cos phi - power factor:	0.96
Cos phi - p.f. at 3/4 load:	0.92
Cos phi - p.f. at 1/2 load:	0.86
Rated speed:	2920 rpm
Motor efficiency at full load:	67 %
Motor efficiency at 3/4 load:	63 %
Motor efficiency at 1/2 load:	55 %
Capacitor size - run:	30 µF
Start. method:	direct-on-line
Enclosure class (IEC 34-5):	IP68
Insulation class (IEC 85):	F
Explosion proof:	no
Motor protec:	THERMAL SWITCH





Company name:

Created by:

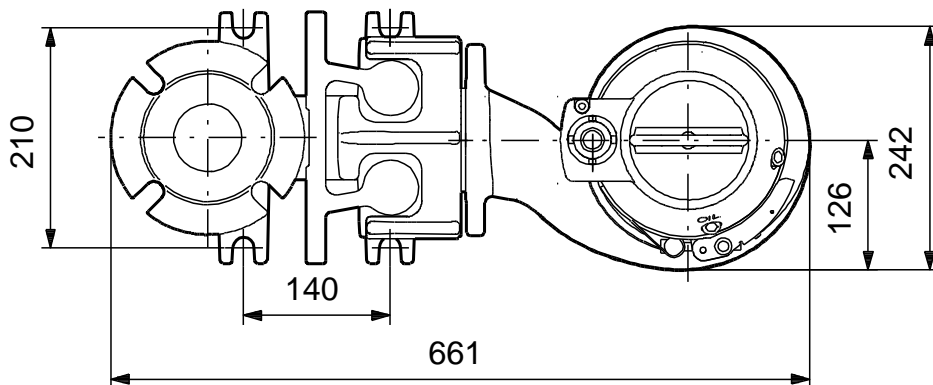
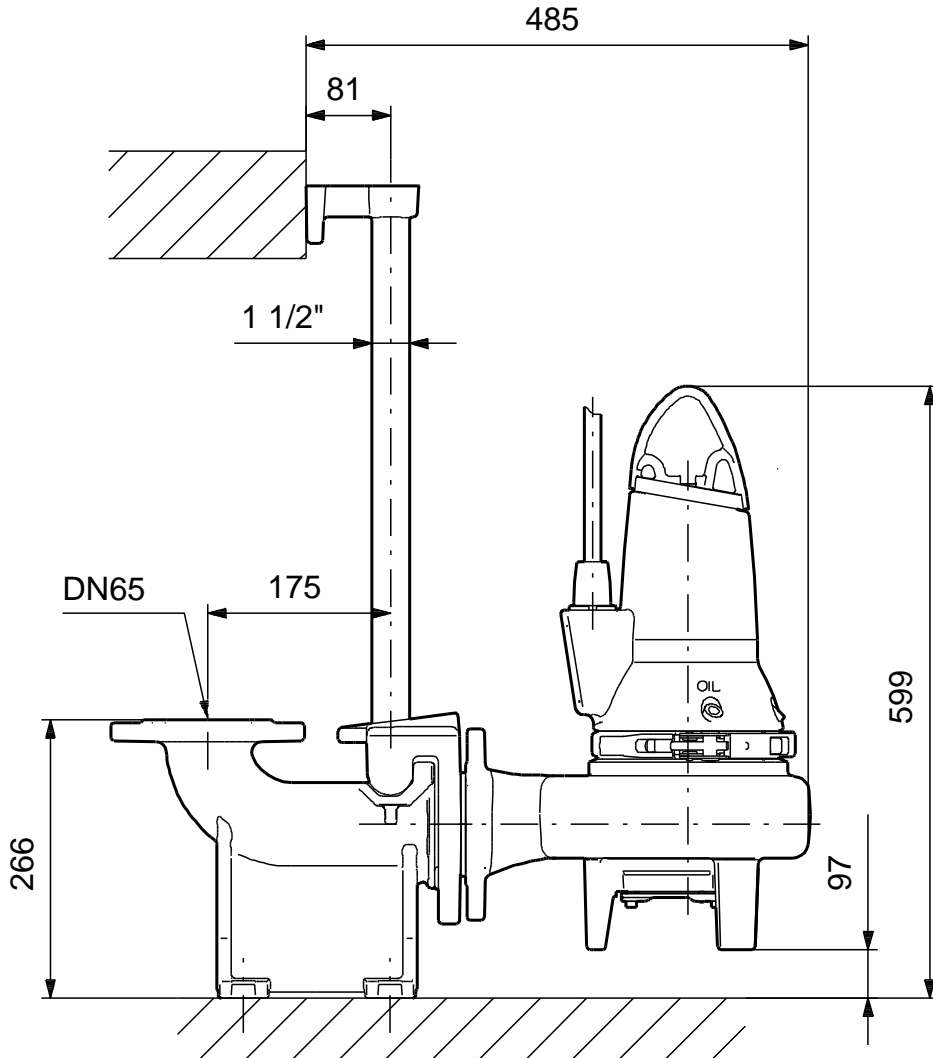
Phone:

Date:

13/11/2018

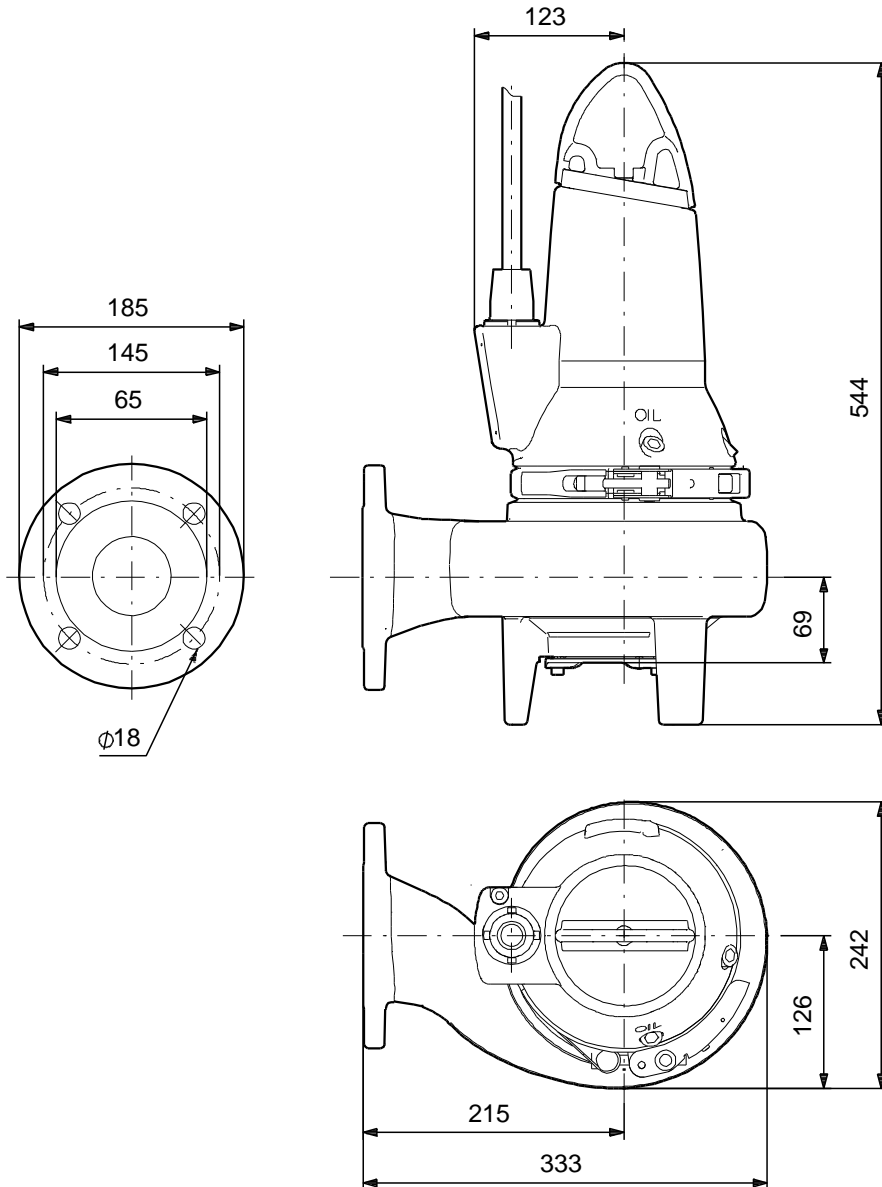
Description	Value
Length of cable:	10 m
Cable type:	H07RN-F
Controls:	
Control box:	control box included
Moisture sensor:	without moisture sensors
Water-in-oil sensor:	without water-in-oil sensor
Others:	
Net weight:	54.3 kg
Danish VVS No.:	391294313

96106564 SL1.50.65.09.A.2.1.502 50 Hz



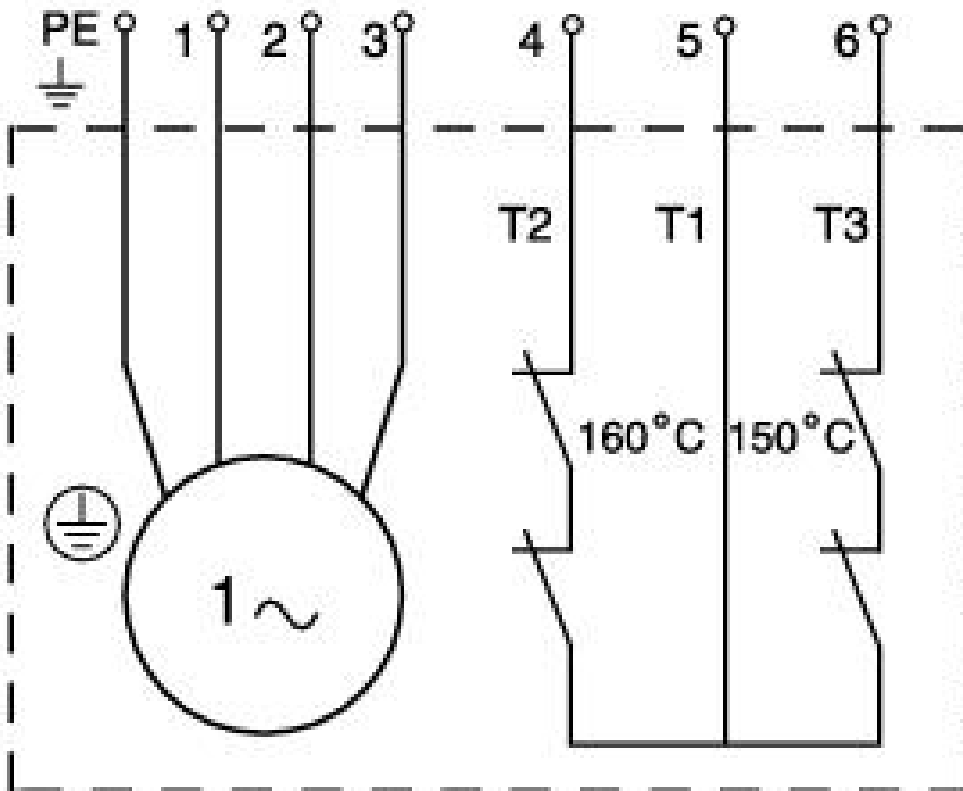
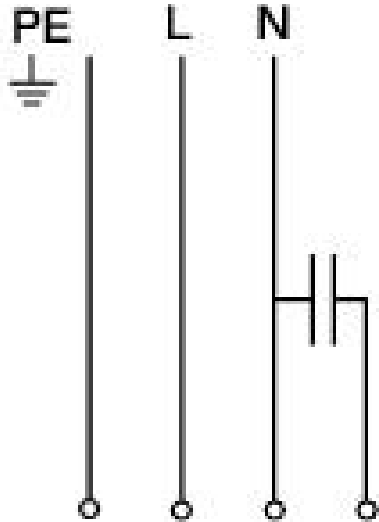
Note! All units are in [mm] unless others are stated.
Disclaimer: This simplified dimensional drawing does not show all details.

96106564 SL1.50.65.09.A.2.1.502 50 Hz



Note! All units are in [mm] unless others are stated.
Disclaimer: This simplified dimensional drawing does not show all details.

96106564 SL1.50.65.09.A.2.1.502 50 Hz



Note! All units are in [mm] unless others are stated.