
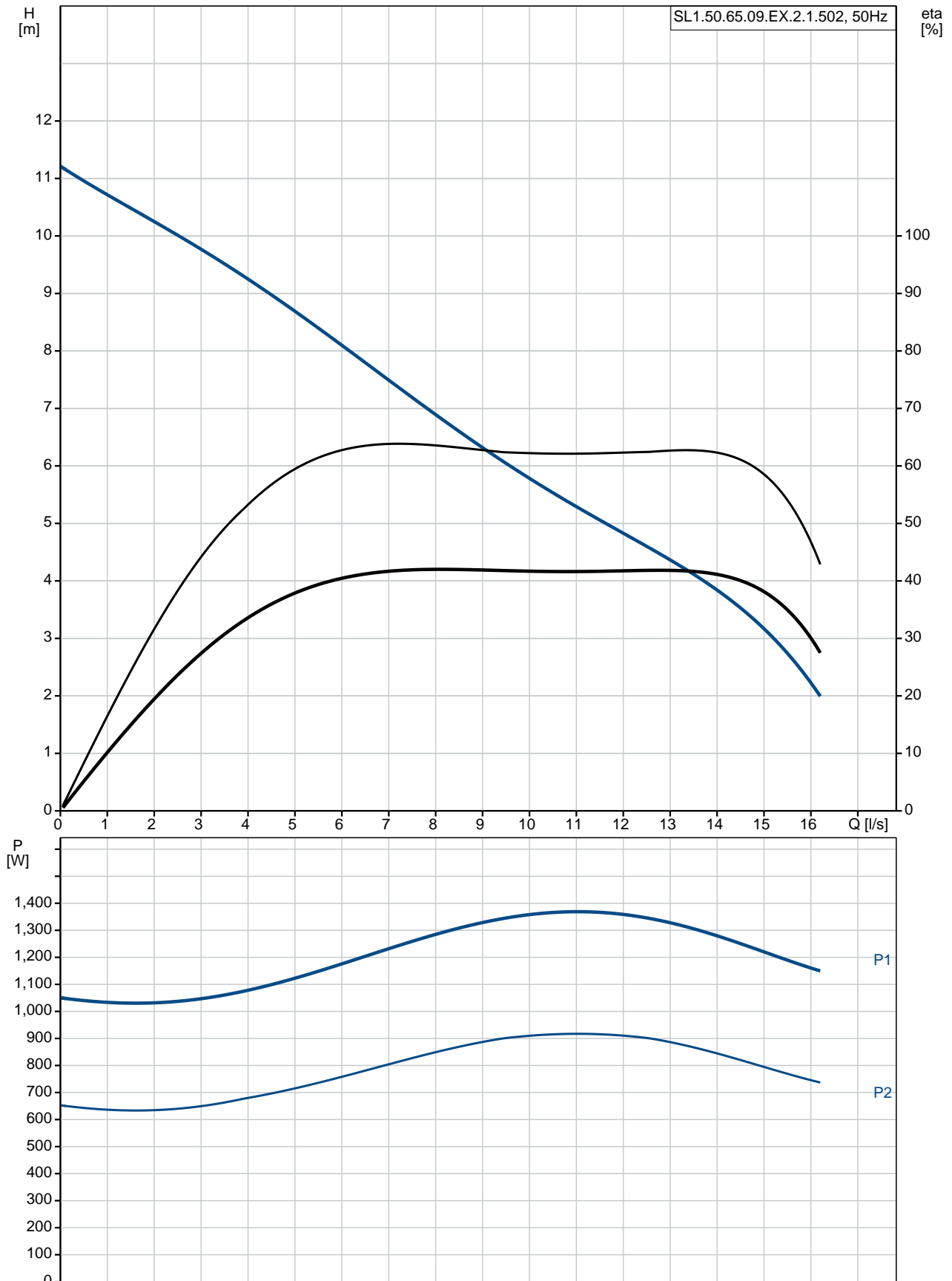


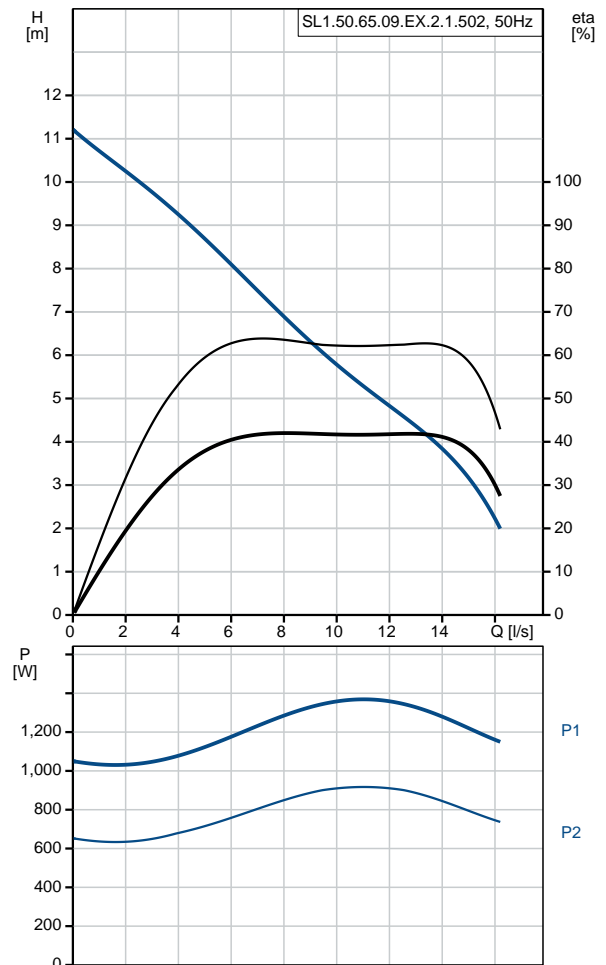
Position	Qty.	Description																																																				
	1	<p>SL1.50.65.09.EX.2.1.502</p>  <p>Product No.: 96106563</p> <p>Non-self-priming, single-stage, centrifugal pump designed for handling wastewater, process water and unscreened raw sewage.</p> <p>The pump is designed for intermittent and continuous operations in submerged installation. The revolutionary S-tube® impeller provides free spherical passage of solids up to 50 mm and is suitable for wastewater with a dry matter content of up to 3 %.</p> <p>A unique stainless-steel clamp assembling system enables quick and easy disassembly of the pump from the motor unit for service and inspection. No special tools are required. Pipework connection is via a DIN flange.</p> <p>The pump is explosion-proof.</p> <p>Controls:</p> <table> <tr> <td>Moisture sensor:</td> <td>without moisture sensors</td> </tr> <tr> <td>Water-in-oil sensor:</td> <td>without water-in-oil sensor</td> </tr> </table> <p>Liquid:</p> <table> <tr> <td>Pumped liquid:</td> <td>Any Newtonian liquid</td> </tr> <tr> <td>Maximum liquid temperature:</td> <td>40 °C</td> </tr> <tr> <td>Density:</td> <td>998.2 kg/m³</td> </tr> </table> <p>Technical:</p> <table> <tr> <td>Type of impeller:</td> <td>SINGLE CHANNEL</td> </tr> <tr> <td>Maximum particle size:</td> <td>50 mm</td> </tr> <tr> <td>Primary shaft seal:</td> <td>SIC/SIC</td> </tr> <tr> <td>Secondary shaft seal:</td> <td>LIPSEAL</td> </tr> <tr> <td>Approvals on nameplate:</td> <td>CE 0344-Ex-II26</td> </tr> <tr> <td>Curve tolerance:</td> <td>ISO9906:2012 3B2</td> </tr> </table> <p>Materials:</p> <table> <tr> <td>Pump housing:</td> <td>EN-GJL-200</td> </tr> <tr> <td></td> <td>EN-GJL-200</td> </tr> <tr> <td>Impeller:</td> <td>EN-GJS-500-7</td> </tr> <tr> <td></td> <td>EN-GJS-500-7</td> </tr> <tr> <td>Motor:</td> <td>EN-GJL-200</td> </tr> </table> <p>Installation:</p> <table> <tr> <td>Maximum ambient temperature:</td> <td>40 °C</td> </tr> <tr> <td>Flange standard:</td> <td>DIN</td> </tr> <tr> <td>Pump inlet:</td> <td>65</td> </tr> <tr> <td>Pump outlet:</td> <td>65</td> </tr> <tr> <td>Pressure rating:</td> <td>PN10</td> </tr> <tr> <td>Maximum installation depth:</td> <td>10 m</td> </tr> </table> <p>Electrical data:</p> <table> <tr> <td>Power input - P1:</td> <td>1.3 kW</td> </tr> <tr> <td>Rated power - P2:</td> <td>0.9 kW</td> </tr> <tr> <td>Mains frequency:</td> <td>50 Hz</td> </tr> <tr> <td>Rated voltage:</td> <td>1 x 230 V</td> </tr> </table>	Moisture sensor:	without moisture sensors	Water-in-oil sensor:	without water-in-oil sensor	Pumped liquid:	Any Newtonian liquid	Maximum liquid temperature:	40 °C	Density:	998.2 kg/m ³	Type of impeller:	SINGLE CHANNEL	Maximum particle size:	50 mm	Primary shaft seal:	SIC/SIC	Secondary shaft seal:	LIPSEAL	Approvals on nameplate:	CE 0344-Ex-II26	Curve tolerance:	ISO9906:2012 3B2	Pump housing:	EN-GJL-200		EN-GJL-200	Impeller:	EN-GJS-500-7		EN-GJS-500-7	Motor:	EN-GJL-200	Maximum ambient temperature:	40 °C	Flange standard:	DIN	Pump inlet:	65	Pump outlet:	65	Pressure rating:	PN10	Maximum installation depth:	10 m	Power input - P1:	1.3 kW	Rated power - P2:	0.9 kW	Mains frequency:	50 Hz	Rated voltage:	1 x 230 V
Moisture sensor:	without moisture sensors																																																					
Water-in-oil sensor:	without water-in-oil sensor																																																					
Pumped liquid:	Any Newtonian liquid																																																					
Maximum liquid temperature:	40 °C																																																					
Density:	998.2 kg/m ³																																																					
Type of impeller:	SINGLE CHANNEL																																																					
Maximum particle size:	50 mm																																																					
Primary shaft seal:	SIC/SIC																																																					
Secondary shaft seal:	LIPSEAL																																																					
Approvals on nameplate:	CE 0344-Ex-II26																																																					
Curve tolerance:	ISO9906:2012 3B2																																																					
Pump housing:	EN-GJL-200																																																					
	EN-GJL-200																																																					
Impeller:	EN-GJS-500-7																																																					
	EN-GJS-500-7																																																					
Motor:	EN-GJL-200																																																					
Maximum ambient temperature:	40 °C																																																					
Flange standard:	DIN																																																					
Pump inlet:	65																																																					
Pump outlet:	65																																																					
Pressure rating:	PN10																																																					
Maximum installation depth:	10 m																																																					
Power input - P1:	1.3 kW																																																					
Rated power - P2:	0.9 kW																																																					
Mains frequency:	50 Hz																																																					
Rated voltage:	1 x 230 V																																																					

Position	Qty.	Description
		Voltage tolerance: +6/-10 % Max starts per. hour: 30 Rated current: 6.1 A Rated current at 3/4 load: 5.1 A Rated current at 1/2 load: 4.1 A Starting current: 38 A Rated current at no load: 2.6 A Cos phi - power factor: 0.96 Cos phi - p.f. at 3/4 load: 0.92 Cos phi - p.f. at 1/2 load: 0.86 Rated speed: 2920 rpm Motor efficiency at full load: 67 % Motor efficiency at 3/4 load: 63 % Motor efficiency at 1/2 load: 55 % Capacitor size - run: 30 µF Start. method: direct-on-line Enclosure class (IEC 34-5): IP68 Insulation class (IEC 85): F Explosion proof: yes Length of cable: 10 m Cable type: H07RN-F Others: Net weight: 54.9 kg Danish VVS No.: 391294513

96106563 SL1.50.65.09.EX.2.1.502 50 Hz



Description	Value
General information:	
Product name:	SL1.50.65.09.EX.2.1.502
Product No:	96106563
EAN number:	5700396854823
Technical:	
Max flow:	16.2 l/s
Head max:	11.5 m
Type of impeller:	SINGLE CHANNEL
Maximum particle size:	50 mm
Primary shaft seal:	SIC/SIC
Secondary shaft seal:	LIPSEAL
Approvals on nameplate:	CE 0344-Ex-II26
Curve tolerance:	ISO9906:2012 3B2
Cooling jacket:	without cooling jacket
Materials:	
Pump housing:	EN-GJL-200
	EN-GJL-200
Impeller:	EN-GJS-500-7
	EN-GJS-500-7
Motor:	EN-GJL-200
Installation:	
Maximum ambient temperature:	40 °C
Flange standard:	DIN
Pump inlet:	65
Pump outlet:	65
Pressure rating:	PN10
Maximum installation depth:	10 m
Inst dry/wet:	SUBMERGED
Installation:	Vertical
Liquid:	
Pumped liquid:	Any Newtonian liquid
Maximum liquid temperature:	40 °C
Density:	998.2 kg/m ³
Electrical data:	
Power input - P1:	1.3 kW
Rated power - P2:	0.9 kW
Mains frequency:	50 Hz
Rated voltage:	1 x 230 V
Voltage tolerance:	+6/-10 %
Max starts per. hour:	30
Rated current:	6.1 A
Rated current at 3/4 load:	5.1 A
Rated current at 1/2 load:	4.1 A
Starting current:	38 A
Rated current at no load:	2.6 A
Cos phi - power factor:	0.96
Cos phi - p.f. at 3/4 load:	0.92
Cos phi - p.f. at 1/2 load:	0.86
Rated speed:	2920 rpm
Motor efficiency at full load:	67 %
Motor efficiency at 3/4 load:	63 %
Motor efficiency at 1/2 load:	55 %
Capacitor size - run:	30 µF
Start. method:	direct-on-line
Enclosure class (IEC 34-5):	IP68
Insulation class (IEC 85):	F
Explosion proof:	yes
Motor protec:	THERMAL SWITCH





Company name:

Created by:

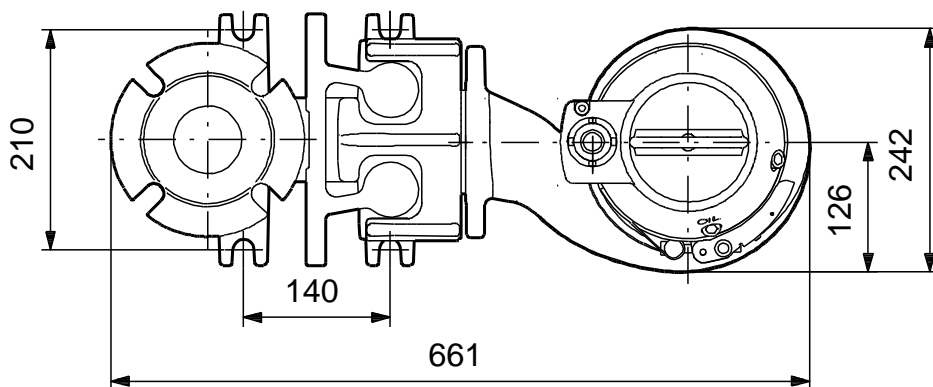
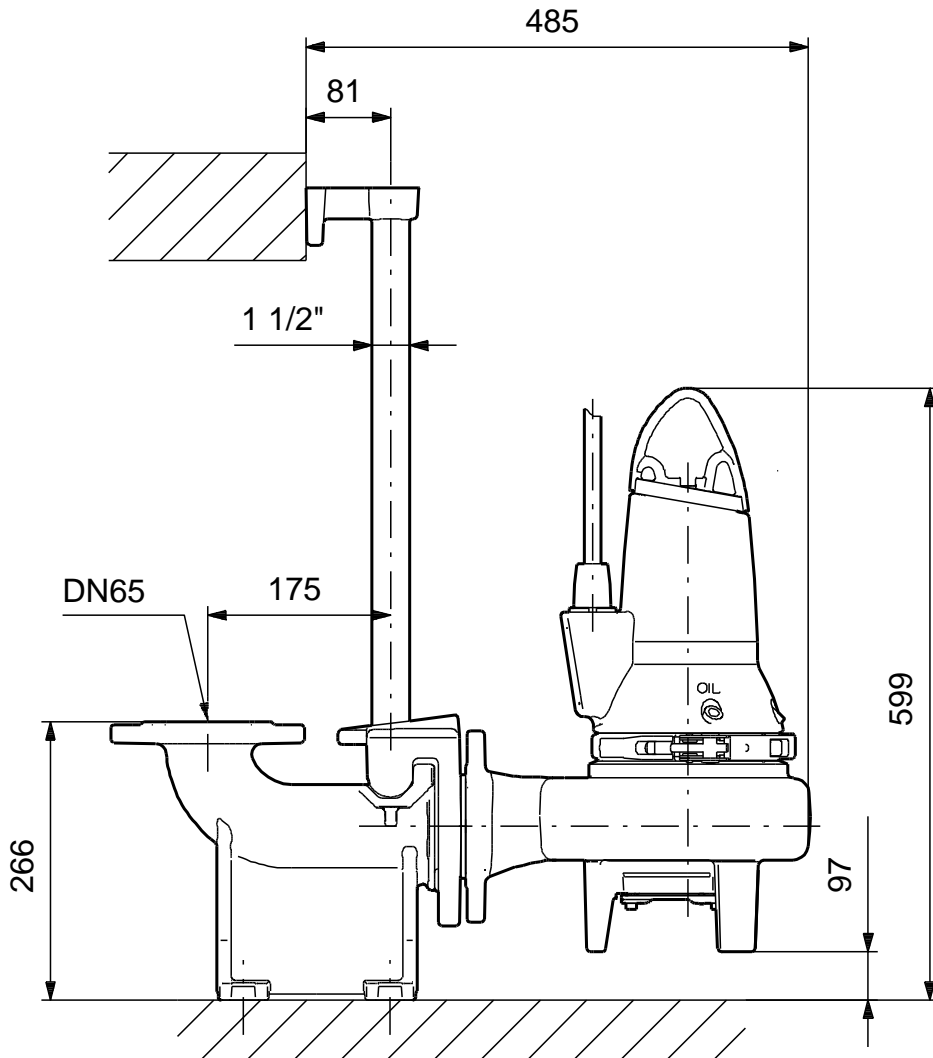
Phone:

Date:

13/11/2018

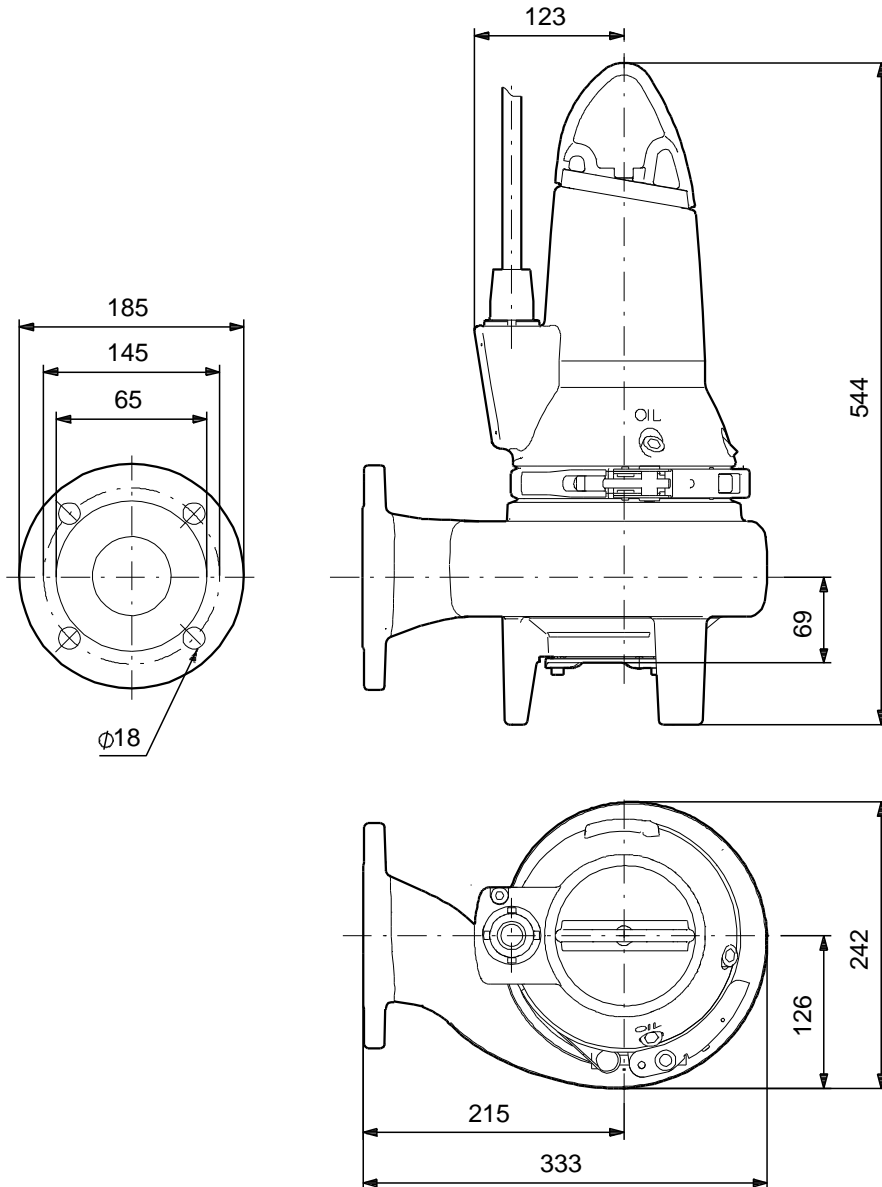
Description	Value
Length of cable:	10 m
Cable type:	H07RN-F
Controls:	
Control box:	not included
Moisture sensor:	without moisture sensors
Water-in-oil sensor:	without water-in-oil sensor
Others:	
Net weight:	54.9 kg
Danish VVS No.:	391294513

96106563 SL1.50.65.09.EX.2.1.502 50 Hz



Note! All units are in [mm] unless others are stated.
Disclaimer: This simplified dimensional drawing does not show all details.

96106563 SL1.50.65.09.EX.2.1.502 50 Hz



Note! All units are in [mm] unless others are stated.
Disclaimer: This simplified dimensional drawing does not show all details.

