


Qty.	Description
1	<p data-bbox="199 338 491 367">CRT 2-15 A-P-A-E-AUUE</p> <div data-bbox="352 378 432 629" style="text-align: center;">  </div> <p data-bbox="199 660 469 689">Product No.: 96100274</p> <p data-bbox="199 689 724 779">Vertical, non-self-priming, multistage, in-line, centrifugal pump for installation in pipe systems and mounting on a foundation.</p> <p data-bbox="199 808 679 837">The pump has the following characteristics:</p> <ul style="list-style-type: none"> <li data-bbox="236 837 759 866">- Impellers, intermediate chambers and outer <p data-bbox="199 866 887 896">Impeller: sleeve are made of Titanium.</p> <p data-bbox="199 896 1131 925">Pump housing: - Pump head cover and base are made of Titanium.</p> <ul style="list-style-type: none"> <li data-bbox="236 925 670 954">- The shaft seal has assembly length <p data-bbox="199 954 462 983">according to EN 12756.</p> <ul style="list-style-type: none"> <li data-bbox="236 983 713 1046">- Power transmission is via cast iron split coupling. <p data-bbox="199 1046 927 1108">Flange standard: - Pipework connection is via PJE flanges/couplings.</p> <p data-bbox="199 1133 940 1162">Phase: The motor is a 1-phase AC motor.</p> <p data-bbox="199 1193 277 1223">Liquid:</p> <p data-bbox="199 1223 635 1252">Pumped liquid: Water</p> <p data-bbox="199 1252 707 1281">Liquid temperature range: -20 .. 120 °C</p> <p data-bbox="199 1281 632 1310">Selected liquid temperature: 20 °C</p> <p data-bbox="199 1310 700 1339">Density: 998.2 kg/m³</p> <p data-bbox="199 1370 319 1400">Technical:</p> <p data-bbox="199 1400 821 1429">Pump speed on which pump data are based: 2900 rpm</p> <p data-bbox="199 1429 660 1458">Rated flow: 2.5 m³/h</p> <p data-bbox="199 1458 644 1487">Rated head: 93.1 m</p> <p data-bbox="199 1487 636 1516">Primary shaft seal: AUUE</p> <p data-bbox="199 1516 641 1545">Approvals on nameplate: CE,TR</p> <p data-bbox="199 1545 764 1574">Curve tolerance: ISO9906:2012 3B</p> <p data-bbox="199 1606 312 1635">Materials:</p> <p data-bbox="199 1635 708 1697">Pump housing: Titanium ASTM B 265</p> <p data-bbox="199 1697 708 1760">Impeller: Titanium ASTM B 265</p> <p data-bbox="199 1760 639 1789">Bush material: NONE</p> <p data-bbox="199 1821 330 1850">Installation:</p> <p data-bbox="199 1850 632 1879">Maximum ambient temperature: 40 °C</p> <p data-bbox="199 1879 735 1942">Max pressure at stated temp: 25 bar / 120 °C 25 bar / -20 °C</p> <p data-bbox="199 1942 614 1971">Flange standard: PJE</p> <p data-bbox="199 1971 665 2000">Pipe connection: 42,4 mm</p> <p data-bbox="199 2000 639 2029">Flange size for motor: FT115</p> <p data-bbox="199 2060 367 2089">Electrical data:</p>



Company name:

Created by:

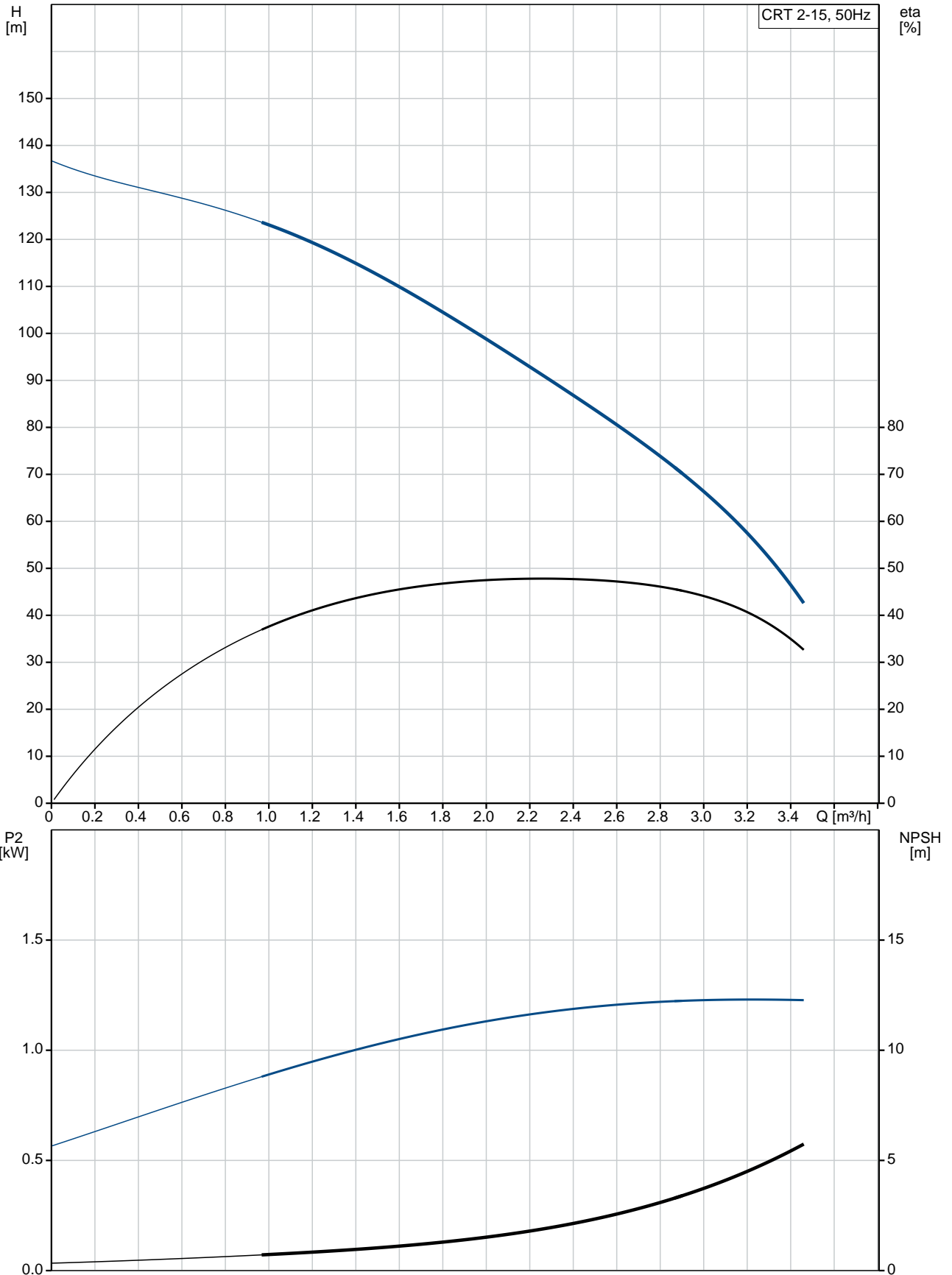
Phone:

Date:

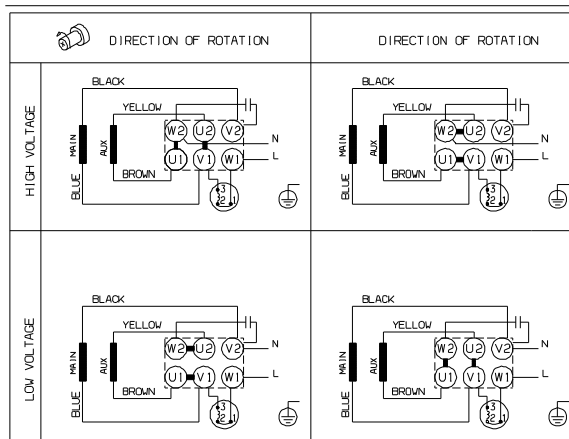
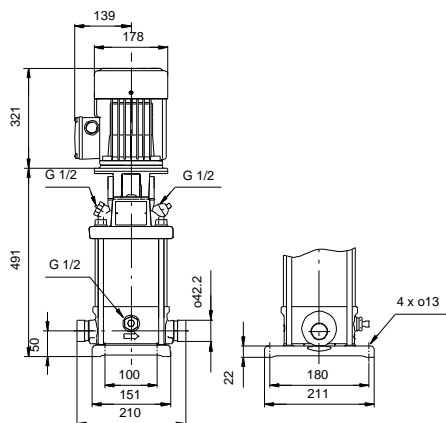
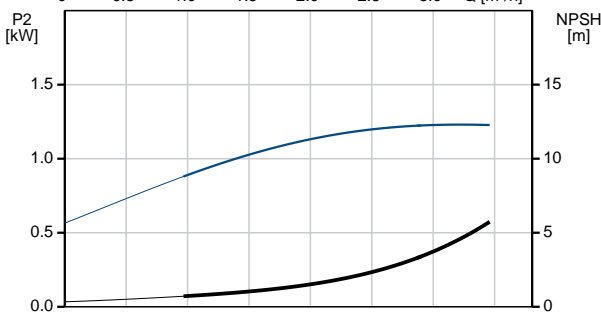
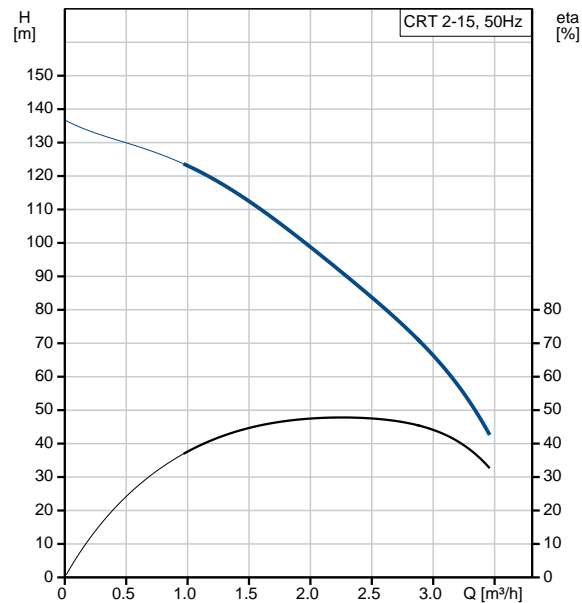
19/01/2021

Qty.	Description
	Motor type: 90LB
	Rated power - P2: 1.5 kW
	Power (P2) required by pump: 1.5 kW
	1.5 kW
	Mains frequency: 50 Hz
	Rated voltage: 1 x 220-230/240 V
	Rated current: 9.90/8.90 A
	Starting current: 390 %
	Cos phi - power factor: 0.98/0.99
	Rated speed: 2750/2740 rpm
	Motor efficiency at full load: 72-70 %
	Number of poles: 2
	Enclosure class (IEC 34-5): 55 Dust/Jetting
	Insulation class (IEC 85): F
	Motor No: 85215706
	Others:
	Minimum efficiency index, MEI η_{min} : 0.7
	Net weight: 31.2 kg
	Gross weight: 36.2 kg

96100274 CRT 2-15 A-P-A-E-AUUE 50 Hz



Description	Value
General information:	
Product name:	CRT 2-15 A-P-A-E-AUUE
Product No:	96100274
EAN number:	5700395841527
Price:	
Technical:	
Pump speed on which pump data are based:	2900 rpm
Rated flow:	2.5 m ³ /h
Rated head:	93.1 m
Maximum head:	139 m
Head max:	139 m
Stages:	15
Impellers:	15
Primary shaft seal:	AUUE
Approvals on nameplate:	CE,TR
Curve tolerance:	ISO9906:2012 3B
Pump version:	A
Model:	A
Materials:	
Pump housing:	Titanium
Pump housing:	ASTM B 265
Impeller:	Titanium
Impeller:	ASTM B 265
Material code:	A
Code for rubber:	E
Bush material:	NONE
Installation:	
Maximum ambient temperature:	40 °C
Max pressure at stated temp:	25 bar / 120 °C
Max pressure at stated temp:	25 bar / -20 °C
Flange standard:	PJE
Pipe connection:	42,4 mm
Flange size for motor:	FT115
Connect code:	P
Liquid:	
Pumped liquid:	Water
Liquid temperature range:	-20 .. 120 °C
Selected liquid temperature:	20 °C
Density:	998.2 kg/m ³
Electrical data:	
Motor type:	90LB
Rated power - P2:	1.5 kW
Power (P2) required by pump:	1.5 kW
Power (P2) required by pump:	1.5 kW
Mains frequency:	50 Hz
Rated voltage:	1 x 220-230/240 V
Rated current:	9.90/8.90 A
Starting current:	390 %
Cos phi - power factor:	0.98/0.99
Rated speed:	2750/2740 rpm
Motor efficiency at full load:	72-70 %
Number of poles:	2
Enclosure class (IEC 34-5):	55 Dust/Jetting
Insulation class (IEC 85):	F
Motor protec:	PTO
Motor No:	85215706
Others:	





Company name:

Created by:

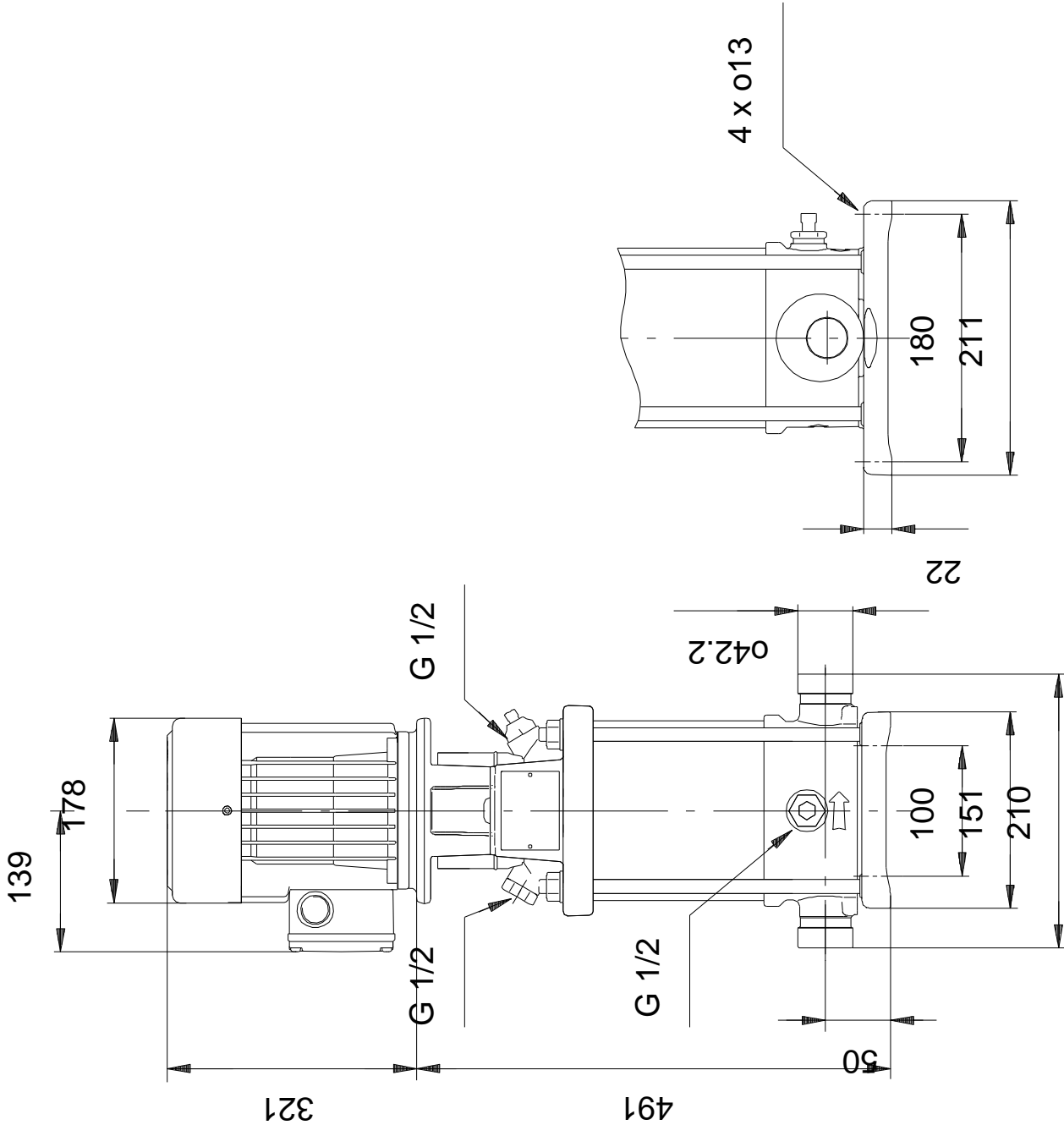
Phone:

Date:

19/01/2021

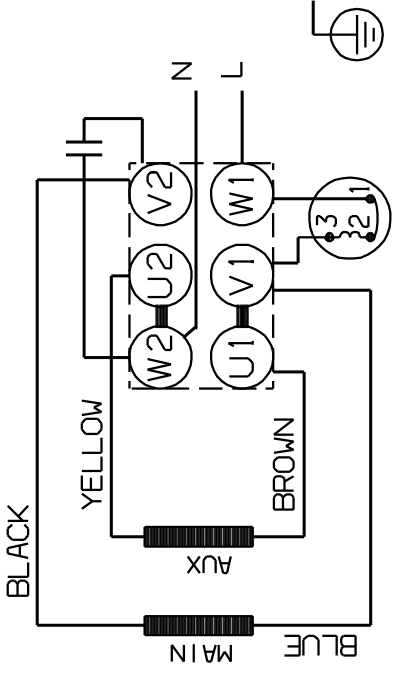
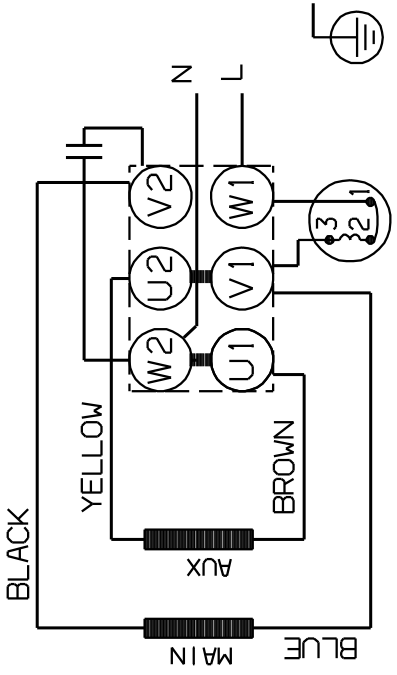
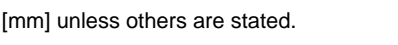
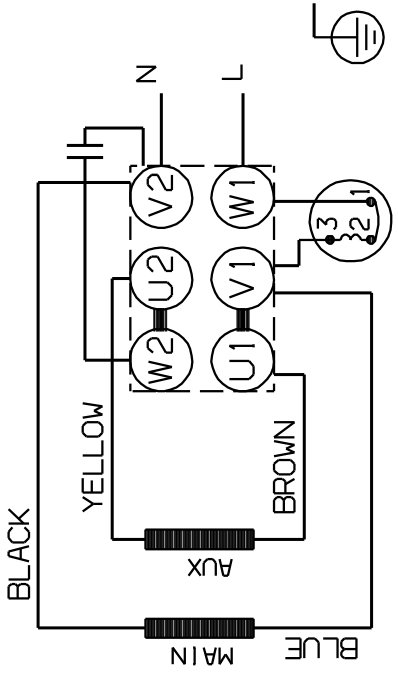
Description	Value
Minimum efficiency index, MEI %:	0.7
Net weight:	31.2 kg
Gross weight:	36.2 kg

96100274 CRT 2-15 A-P-A-E-AUUE 50 Hz



Note! All units are in [mm] unless others are stated.
Disclaimer: This simplified dimensional drawing does not show all details.

96100274 CRT 2-15 A-P-A-E-AUUE 50 Hz

DIRECTION OF ROTATION	
DIRECTION OF ROTATION	
	
	

Note! All units are in [mm] unless others are stated.