


Qty.	Description
1	<p data-bbox="199 338 491 369">CRT 2-11 A-P-A-E-AUUE</p>  <p data-bbox="199 660 469 689">Product No.: 96100272</p> <p data-bbox="199 689 724 779">Vertical, non-self-priming, multistage, in-line, centrifugal pump for installation in pipe systems and mounting on a foundation.</p> <p data-bbox="199 808 679 837">The pump has the following characteristics:</p> <ul data-bbox="236 837 759 866" style="list-style-type: none"> - Impellers, intermediate chambers and outer <p data-bbox="199 866 887 896">Impeller: sleeve are made of Titanium.</p> <p data-bbox="199 896 1131 925">Pump housing: - Pump head cover and base are made of Titanium.</p> <ul data-bbox="236 925 668 954" style="list-style-type: none"> - The shaft seal has assembly length <p data-bbox="199 954 462 983">according to EN 12756.</p> <ul data-bbox="236 983 713 1046" style="list-style-type: none"> - Power transmission is via cast iron split coupling. <p data-bbox="199 1046 927 1106">Flange standard: - Pipework connection is via PJE flanges/couplings.</p> <p data-bbox="199 1135 940 1164">Phase: The motor is a 1-phase AC motor.</p> <p data-bbox="199 1193 277 1223">Liquid:</p> <p data-bbox="199 1223 635 1252">Pumped liquid: Water</p> <p data-bbox="199 1252 707 1281">Liquid temperature range: -20 .. 120 °C</p> <p data-bbox="199 1281 632 1310">Selected liquid temperature: 20 °C</p> <p data-bbox="199 1310 700 1339">Density: 998.2 kg/m³</p> <p data-bbox="199 1368 319 1397">Technical:</p> <p data-bbox="199 1397 821 1426">Pump speed on which pump data are based: 2900 rpm</p> <p data-bbox="199 1426 660 1456">Rated flow: 2.5 m³/h</p> <p data-bbox="199 1456 644 1485">Rated head: 67.9 m</p> <p data-bbox="199 1485 636 1514">Primary shaft seal: AUUE</p> <p data-bbox="199 1514 641 1543">Approvals on nameplate: CE,TR</p> <p data-bbox="199 1543 764 1572">Curve tolerance: ISO9906:2012 3B</p> <p data-bbox="199 1601 312 1630">Materials:</p> <p data-bbox="199 1630 708 1693">Pump housing: Titanium ASTM B 265</p> <p data-bbox="199 1693 708 1756">Impeller: Titanium ASTM B 265</p> <p data-bbox="199 1756 639 1785">Bush material: NONE</p> <p data-bbox="199 1814 330 1843">Installation:</p> <p data-bbox="199 1843 632 1872">Maximum ambient temperature: 40 °C</p> <p data-bbox="199 1872 734 1935">Max pressure at stated temp: 25 bar / 120 °C 25 bar / -20 °C</p> <p data-bbox="199 1935 614 1964">Flange standard: PJE</p> <p data-bbox="199 1964 665 1993">Pipe connection: 42,4 mm</p> <p data-bbox="199 1993 639 2022">Flange size for motor: FT115</p> <p data-bbox="199 2051 367 2080">Electrical data:</p>



Company name:

Created by:

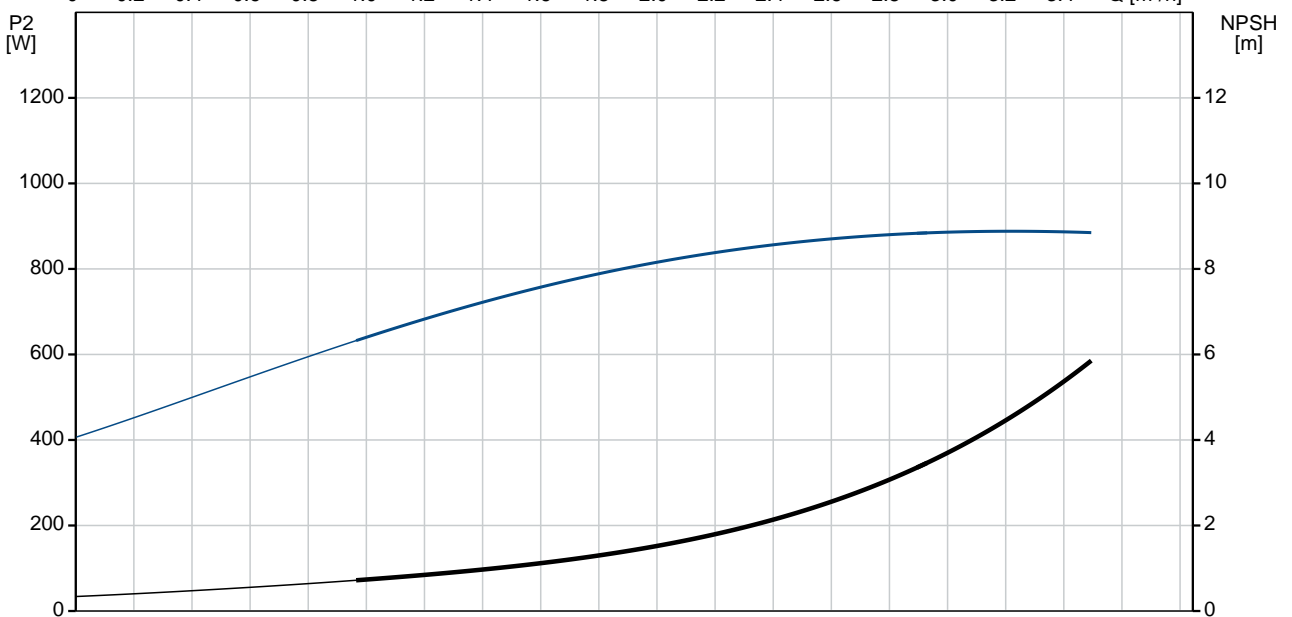
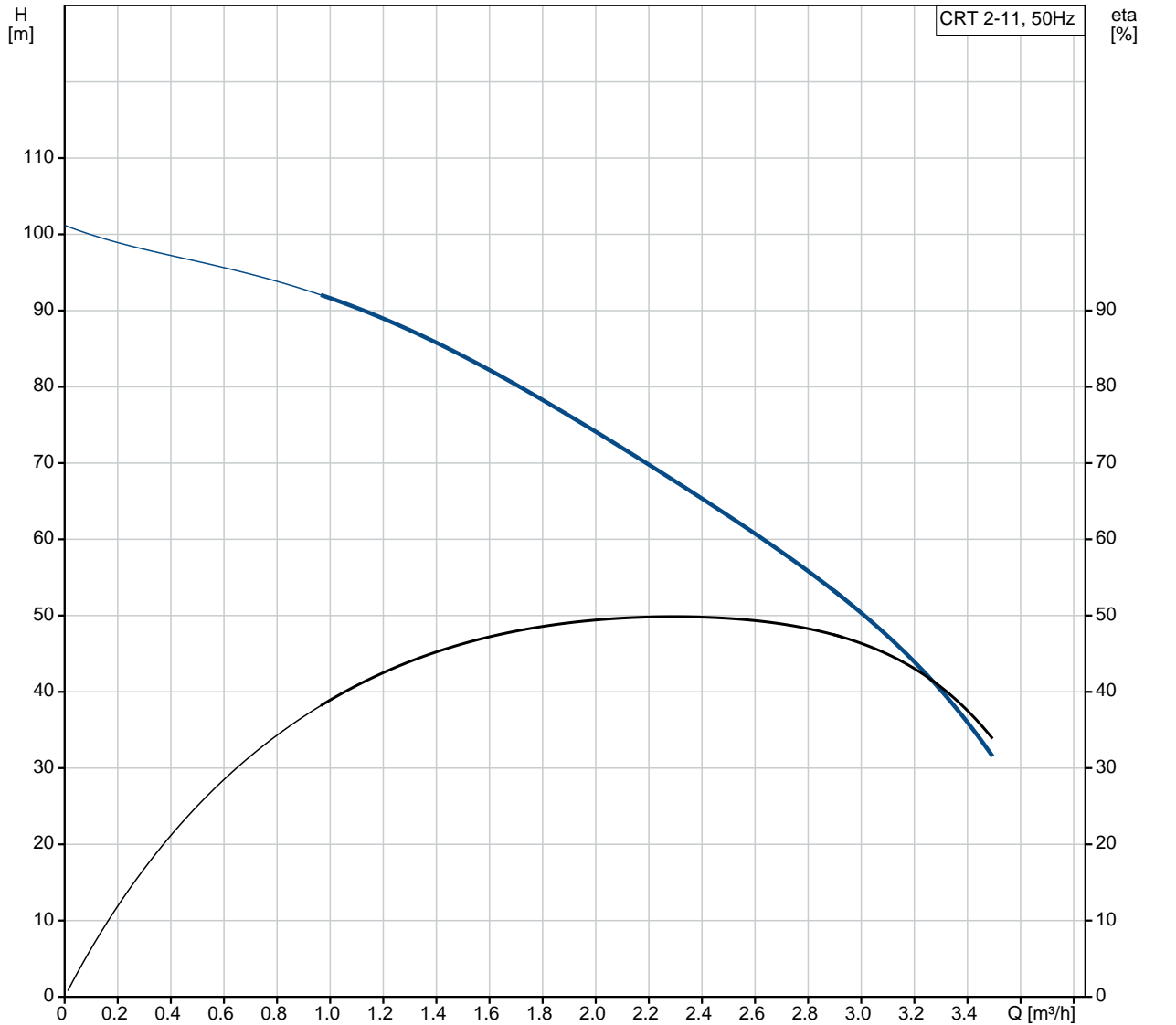
Phone:

Date:

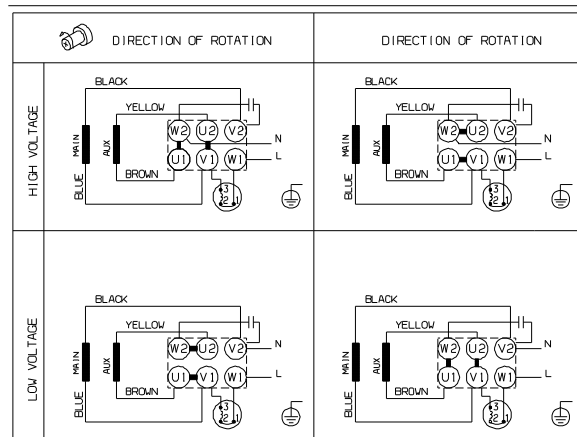
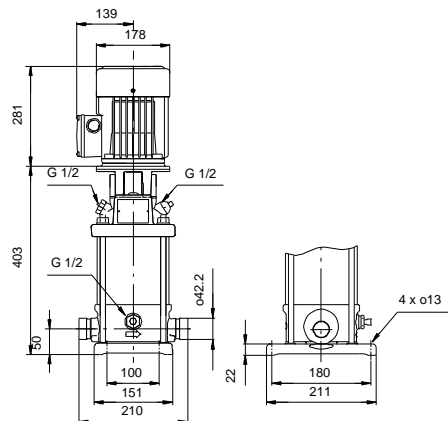
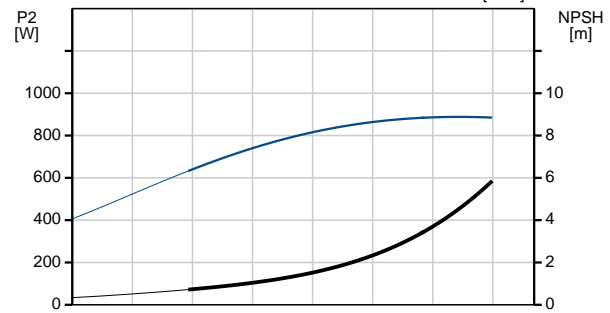
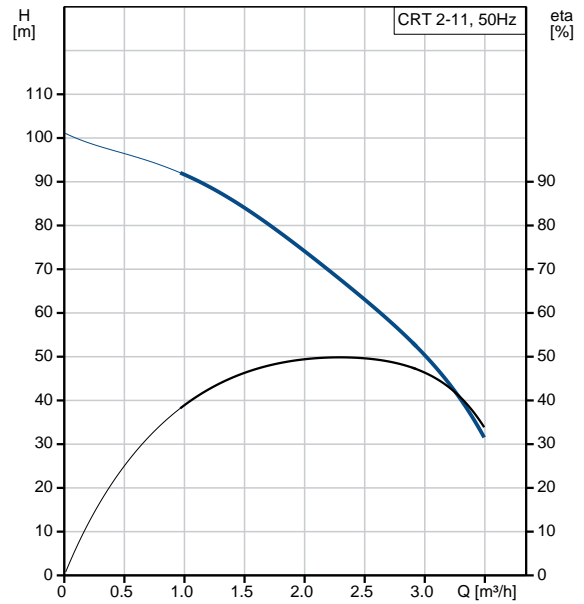
19/01/2021

Qty.	Description
	Motor type: 90SB
	Rated power - P2: 1.1 kW
	Power (P2) required by pump: 1.1 kW
	1.1 kW
	Mains frequency: 50 Hz
	Rated voltage: 1 x 220-230/240 V
	Rated current: 7.40/6.70 A
	Starting current: 390 %
	Cos phi - power factor: 0.98/0.99
	Rated speed: 2770 rpm
	Motor efficiency at full load: 73-71 %
	Number of poles: 2
	Enclosure class (IEC 34-5): 55 Dust/Jetting
	Insulation class (IEC 85): F
	Motor No: 85215705
	Others:
	Minimum efficiency index, MEI η_{min} : 0.7
	Net weight: 20.4 kg
	Gross weight: 25.4 kg

96100272 CRT 2-11 A-P-A-E-AUUE 50 Hz



Description	Value
General information:	
Product name:	CRT 2-11 A-P-A-E-AUUE
Product No:	96100272
EAN number:	5700395841503
Price:	
Technical:	
Pump speed on which pump data are based:	2900 rpm
Rated flow:	2.5 m ³ /h
Rated head:	67.9 m
Maximum head:	102 m
Head max:	102 m
Stages:	11
Impellers:	11
Primary shaft seal:	AUUE
Approvals on nameplate:	CE,TR
Curve tolerance:	ISO9906:2012 3B
Pump version:	A
Model:	A
Materials:	
Pump housing:	Titanium
Pump housing:	ASTM B 265
Impeller:	Titanium
Impeller:	ASTM B 265
Material code:	A
Code for rubber:	E
Bush material:	NONE
Installation:	
Maximum ambient temperature:	40 °C
Max pressure at stated temp:	25 bar / 120 °C
Max pressure at stated temp:	25 bar / -20 °C
Flange standard:	PJE
Pipe connection:	42,4 mm
Flange size for motor:	FT115
Connect code:	P
Liquid:	
Pumped liquid:	Water
Liquid temperature range:	-20 .. 120 °C
Selected liquid temperature:	20 °C
Density:	998.2 kg/m ³
Electrical data:	
Motor type:	90SB
Rated power - P2:	1.1 kW
Power (P2) required by pump:	1.1 kW
Power (P2) required by pump:	1.1 kW
Mains frequency:	50 Hz
Rated voltage:	1 x 220-230/240 V
Rated current:	7.40/6.70 A
Starting current:	390 %
Cos phi - power factor:	0.98/0.99
Rated speed:	2770 rpm
Motor efficiency at full load:	73-71 %
Number of poles:	2
Enclosure class (IEC 34-5):	55 Dust/Jetting
Insulation class (IEC 85):	F
Motor protec:	PTO
Motor No:	85215705
Others:	





Company name:

Created by:

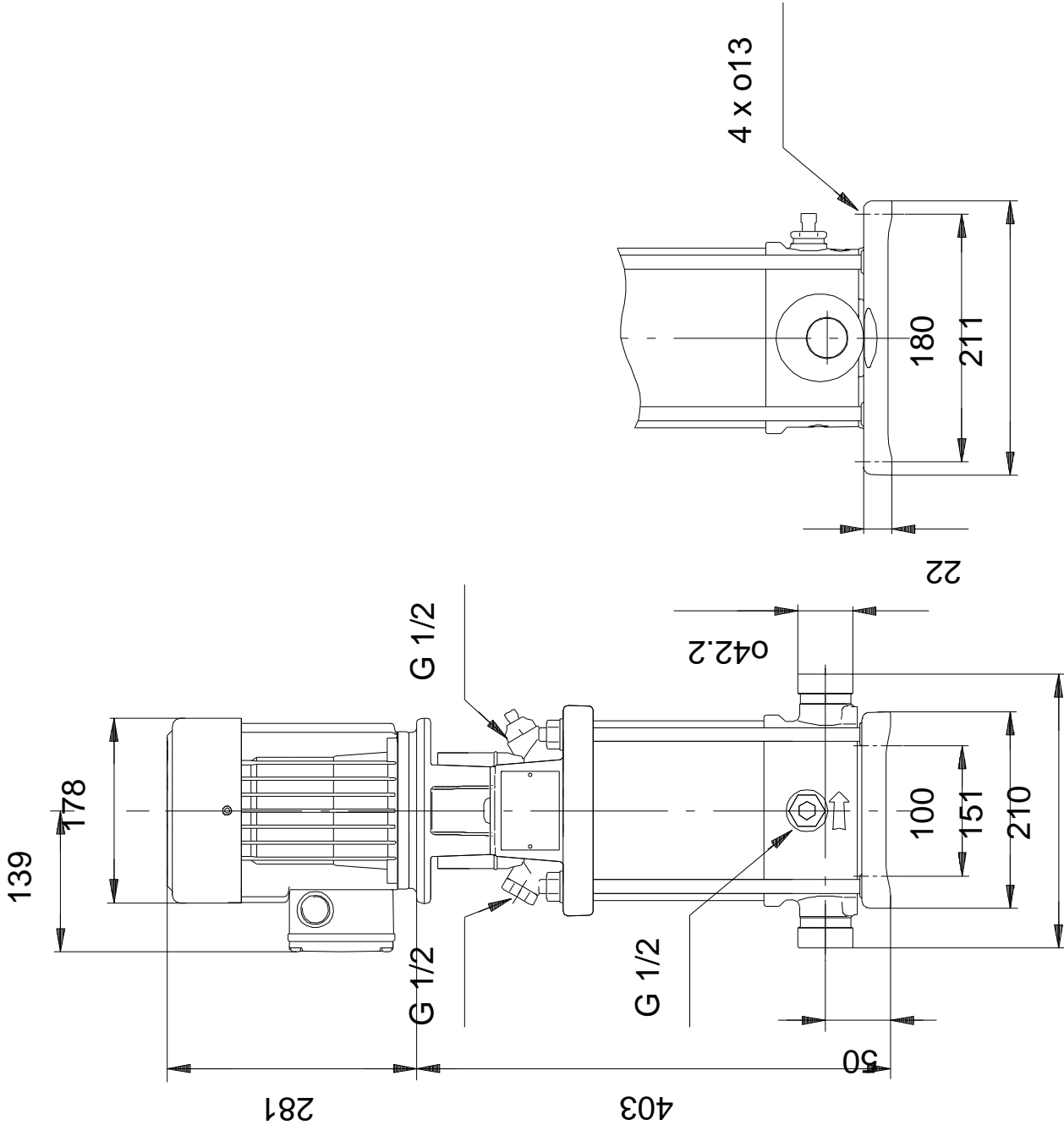
Phone:

Date:

19/01/2021

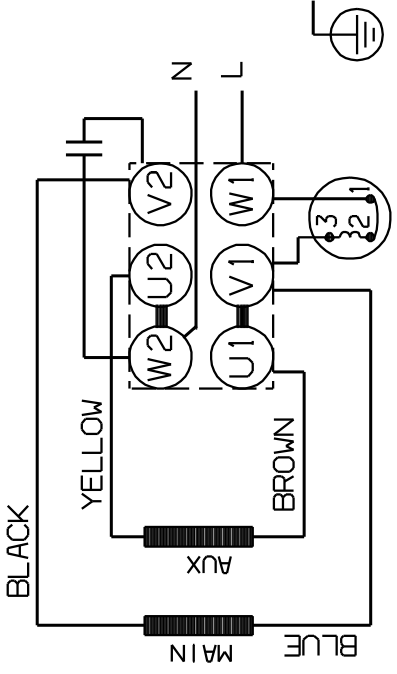
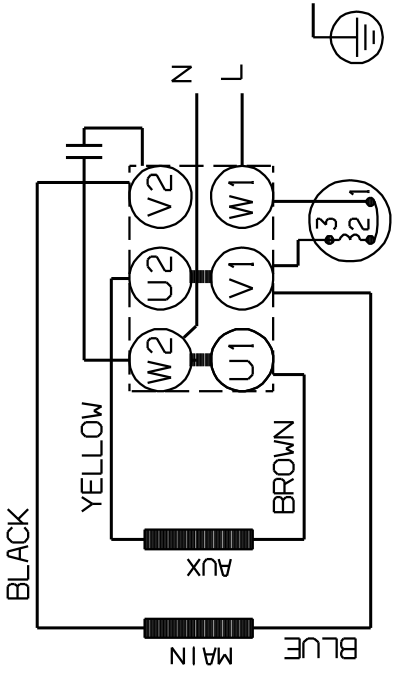
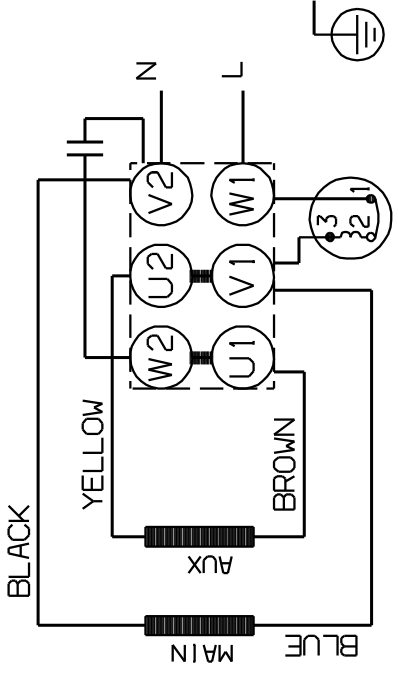
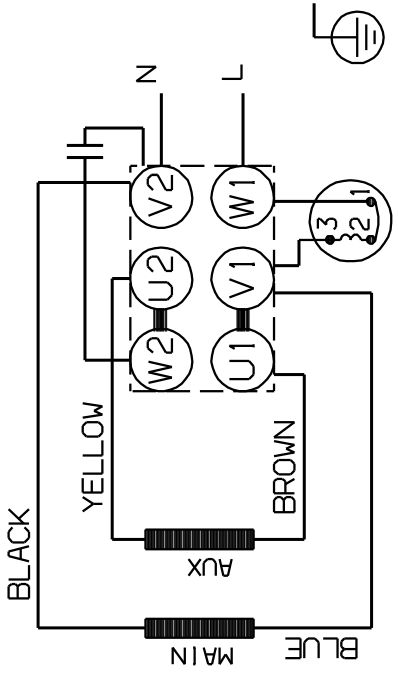
Description	Value
Minimum efficiency index, MEI %:	0.7
Net weight:	20.4 kg
Gross weight:	25.4 kg

96100272 CRT 2-11 A-P-A-E-AUUE 50 Hz



Note! All units are in [mm] unless others are stated.
Disclaimer: This simplified dimensional drawing does not show all details.

96100272 CRT 2-11 A-P-A-E-AUUE 50 Hz

DIRECTION OF ROTATION	
DIRECTION OF ROTATION	
	
	

Note! All units are in [mm] unless others are stated.