
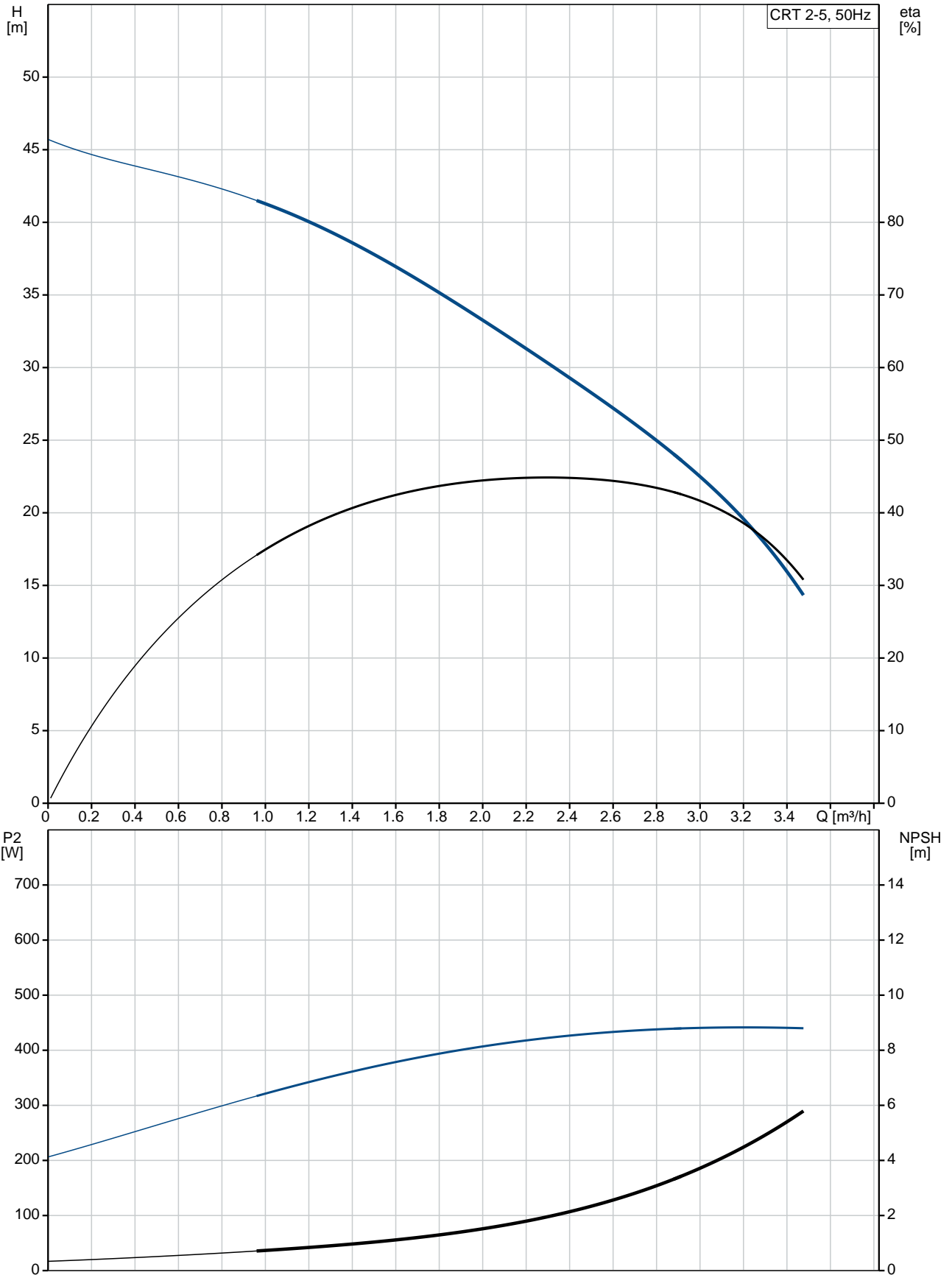


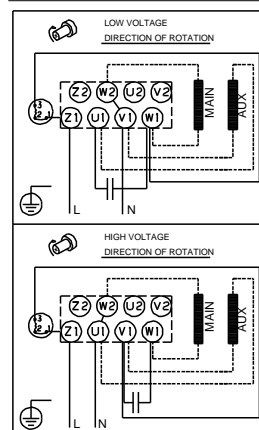
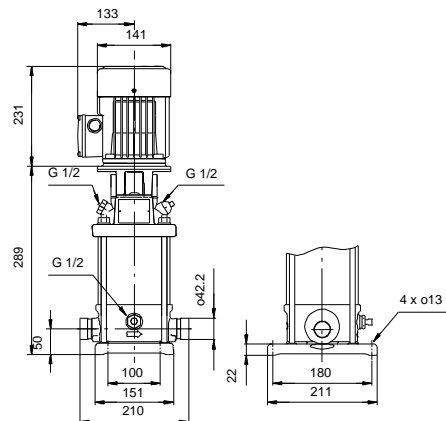
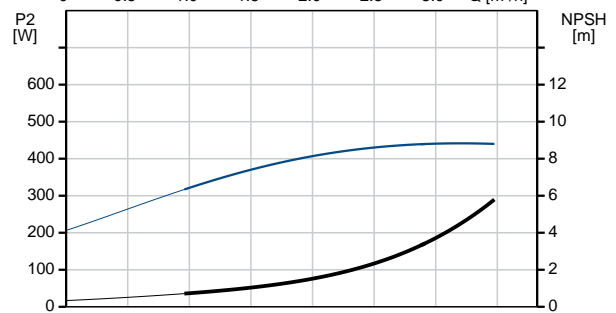
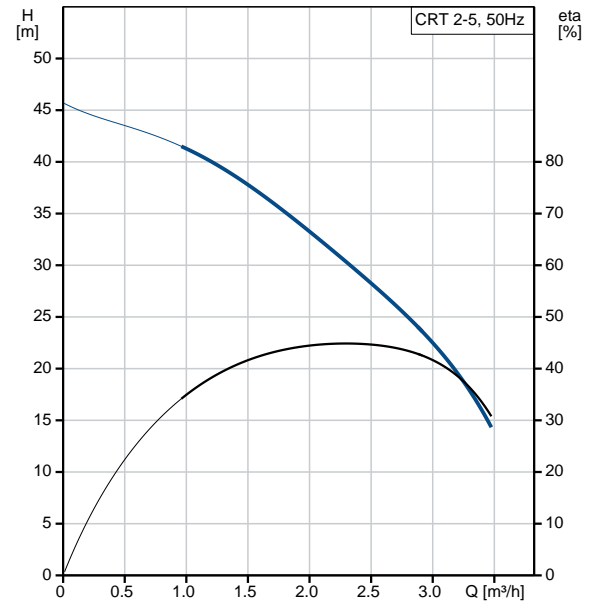
Qty.	Description
1	<p data-bbox="199 338 478 369">CRT 2-5 A-P-A-E-AUUE</p>  <p data-bbox="199 660 470 689">Product No.: 96100268</p> <p data-bbox="199 689 726 779">Vertical, non-self-priming, multistage, in-line, centrifugal pump for installation in pipe systems and mounting on a foundation.</p> <p data-bbox="199 806 678 835">The pump has the following characteristics:</p> <ul data-bbox="231 835 758 869" style="list-style-type: none"> - Impellers, intermediate chambers and outer <p data-bbox="199 869 885 898">Impeller: sleeve are made of Titanium.</p> <p data-bbox="199 898 1133 927">Pump housing: - Pump head cover and base are made of Titanium.</p> <ul data-bbox="231 927 670 960" style="list-style-type: none"> - The shaft seal has assembly length <p data-bbox="199 960 462 990">according to EN 12756.</p> <ul data-bbox="231 990 710 1046" style="list-style-type: none"> - Power transmission is via cast iron split coupling. <p data-bbox="199 1046 925 1102">Flange standard: - Pipework connection is via PJE flanges/couplings.</p> <p data-bbox="199 1135 941 1164">Phase: The motor is a 1-phase AC motor.</p> <p data-bbox="199 1198 279 1227">Liquid:</p> <p data-bbox="199 1227 630 1256">Pumped liquid: Water</p> <p data-bbox="199 1256 710 1285">Liquid temperature range: -20 .. 120 °C</p> <p data-bbox="199 1285 630 1314">Selected liquid temperature: 20 °C</p> <p data-bbox="199 1314 702 1344">Density: 998.2 kg/m³</p> <p data-bbox="199 1377 319 1406">Technical:</p> <p data-bbox="199 1406 821 1435">Pump speed on which pump data are based: 2900 rpm</p> <p data-bbox="199 1435 662 1464">Rated flow: 2.5 m³/h</p> <p data-bbox="199 1464 646 1494">Rated head: 30.8 m</p> <p data-bbox="199 1494 638 1523">Primary shaft seal: AUUE</p> <p data-bbox="199 1523 646 1552">Approvals on nameplate: CE,TR</p> <p data-bbox="199 1552 766 1581">Curve tolerance: ISO9906:2012 3B</p> <p data-bbox="199 1615 311 1644">Materials:</p> <p data-bbox="199 1644 710 1700">Pump housing: Titanium ASTM B 265</p> <p data-bbox="199 1700 710 1756">Impeller: Titanium ASTM B 265</p> <p data-bbox="199 1756 638 1785">Bush material: NONE</p> <p data-bbox="199 1818 327 1848">Installation:</p> <p data-bbox="199 1848 630 1877">Maximum ambient temperature: 40 °C</p> <p data-bbox="199 1877 734 1933">Max pressure at stated temp: 25 bar / 120 °C 25 bar / -20 °C</p> <p data-bbox="199 1933 614 1962">Flange standard: PJE</p> <p data-bbox="199 1962 662 1991">Pipe connection: 42,4 mm</p> <p data-bbox="199 1991 638 2020">Flange size for motor: FT100</p> <p data-bbox="199 2054 367 2083">Electrical data:</p>

Qty.	Description
	<p>Motor type: 80A Rated power - P2: 0.55 kW Power (P2) required by pump: 0.55 kW 0.55 kW Mains frequency: 50 Hz Rated voltage: 1 x 220-230/240 V Rated current: 4.00/3.65 A Starting current: 280 % Cos phi - power factor: 0.99 Rated speed: 2750 rpm Motor efficiency at full load: 66-64 % Number of poles: 2 Enclosure class (IEC 34-5): 55 Dust/Jetting Insulation class (IEC 85): F Motor No: 85215103</p> <p>Others: Minimum efficiency index, MEI η_{min}: 0.7 Net weight: 17.1 kg Gross weight: 22.1 kg</p>

96100268 CRT 2-5 A-P-A-E-AUUE 50 Hz



Description	Value
General information:	
Product name:	CRT 2-5 A-P-A-E-AUUE
Product No:	96100268
EAN number:	5700395841466
Price:	
Technical:	
Pump speed on which pump data are based:	2900 rpm
Rated flow:	2.5 m ³ /h
Rated head:	30.8 m
Maximum head:	46.4 m
Head max:	46.4 m
Stages:	5
Impellers:	5
Primary shaft seal:	AUUE
Approvals on nameplate:	CE, TR
Curve tolerance:	ISO9906:2012 3B
Pump version:	A
Model:	A
Materials:	
Pump housing:	Titanium
Pump housing:	ASTM B 265
Impeller:	Titanium
Impeller:	ASTM B 265
Material code:	A
Code for rubber:	E
Bush material:	NONE
Installation:	
Maximum ambient temperature:	40 °C
Max pressure at stated temp:	25 bar / 120 °C
Max pressure at stated temp:	25 bar / -20 °C
Flange standard:	PJE
Pipe connection:	42,4 mm
Flange size for motor:	FT100
Connect code:	P
Liquid:	
Pumped liquid:	Water
Liquid temperature range:	-20 .. 120 °C
Selected liquid temperature:	20 °C
Density:	998.2 kg/m ³
Electrical data:	
Motor type:	80A
Rated power - P2:	0.55 kW
Power (P2) required by pump:	0.55 kW
Power (P2) required by pump:	0.55 kW
Mains frequency:	50 Hz
Rated voltage:	1 x 220-230/240 V
Rated current:	4.00/3.65 A
Starting current:	280 %
Cos phi - power factor:	0.99
Rated speed:	2750 rpm
Motor efficiency at full load:	66-64 %
Number of poles:	2
Enclosure class (IEC 34-5):	55 Dust/Jetting
Insulation class (IEC 85):	F
Motor protec:	PTO
Motor No:	85215103
Others:	





Company name:

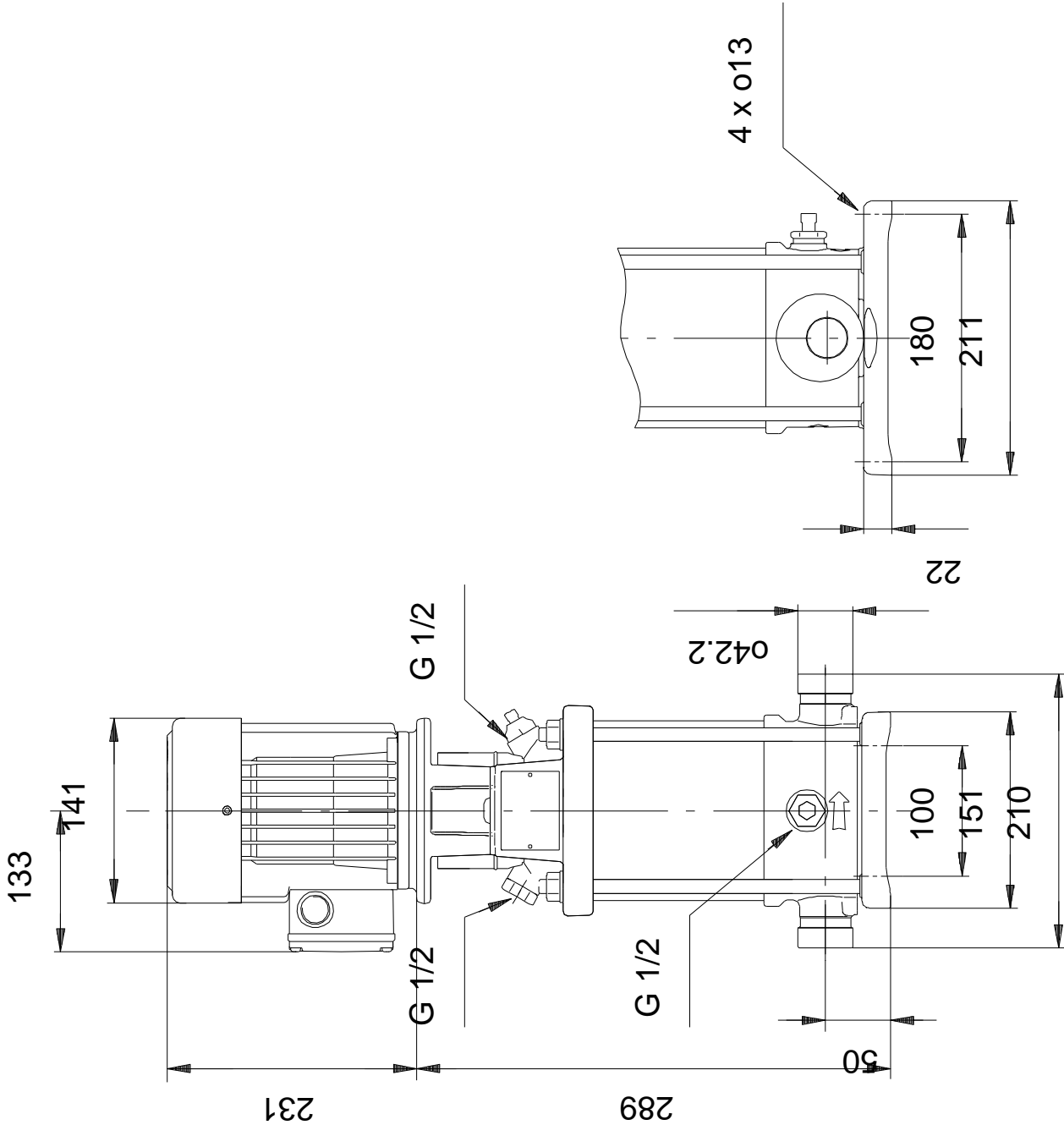
Created by:

Phone:

Date: 19/01/2021

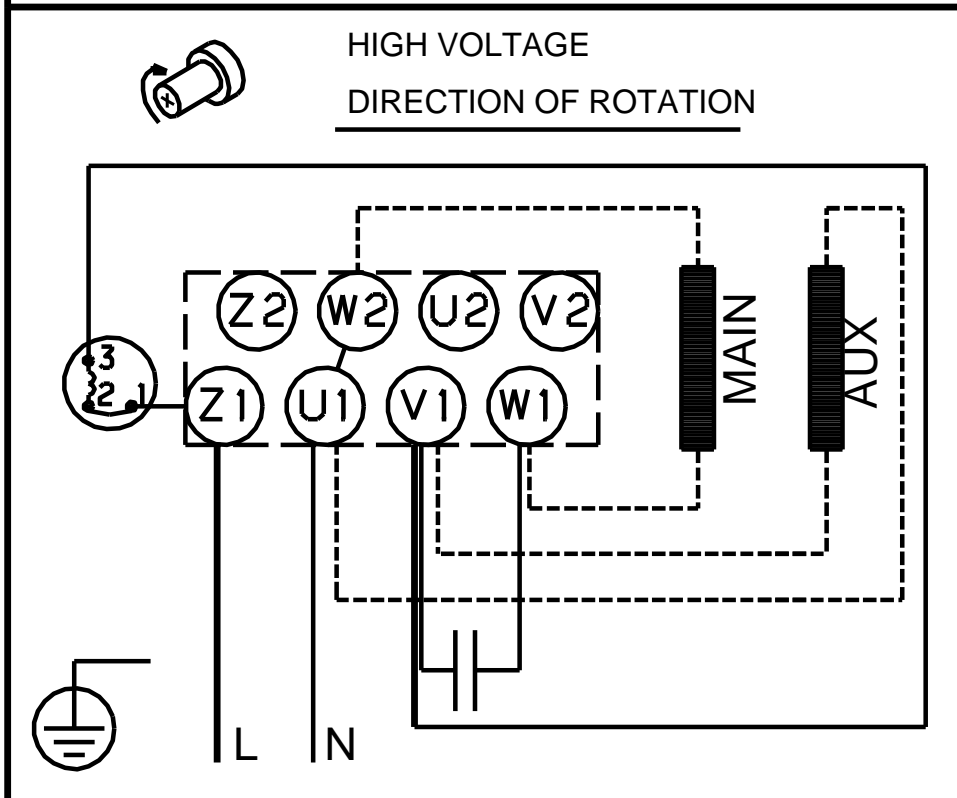
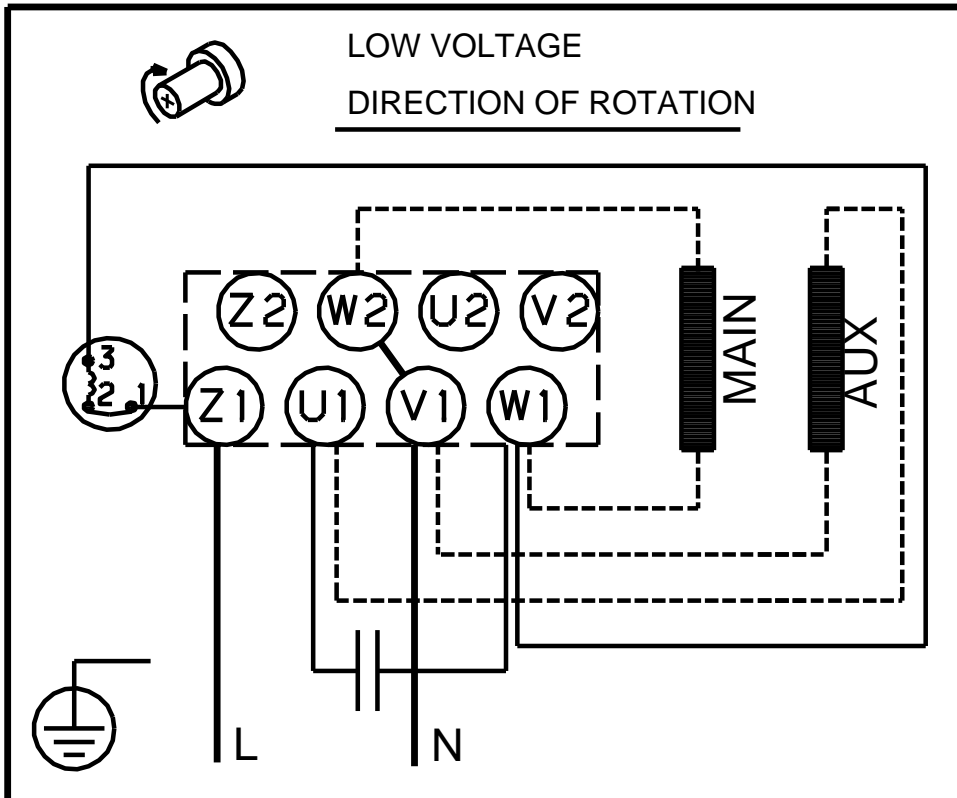
Description	Value
Minimum efficiency index, MEI %:	0.7
Net weight:	17.1 kg
Gross weight:	22.1 kg

96100268 CRT 2-5 A-P-A-E-AUUE 50 Hz



Note! All units are in [mm] unless others are stated.
Disclaimer: This simplified dimensional drawing does not show all details.

96100268 CRT 2-5 A-P-A-E-AUUE 50 Hz



Note! All units are in [mm] unless others are stated.