
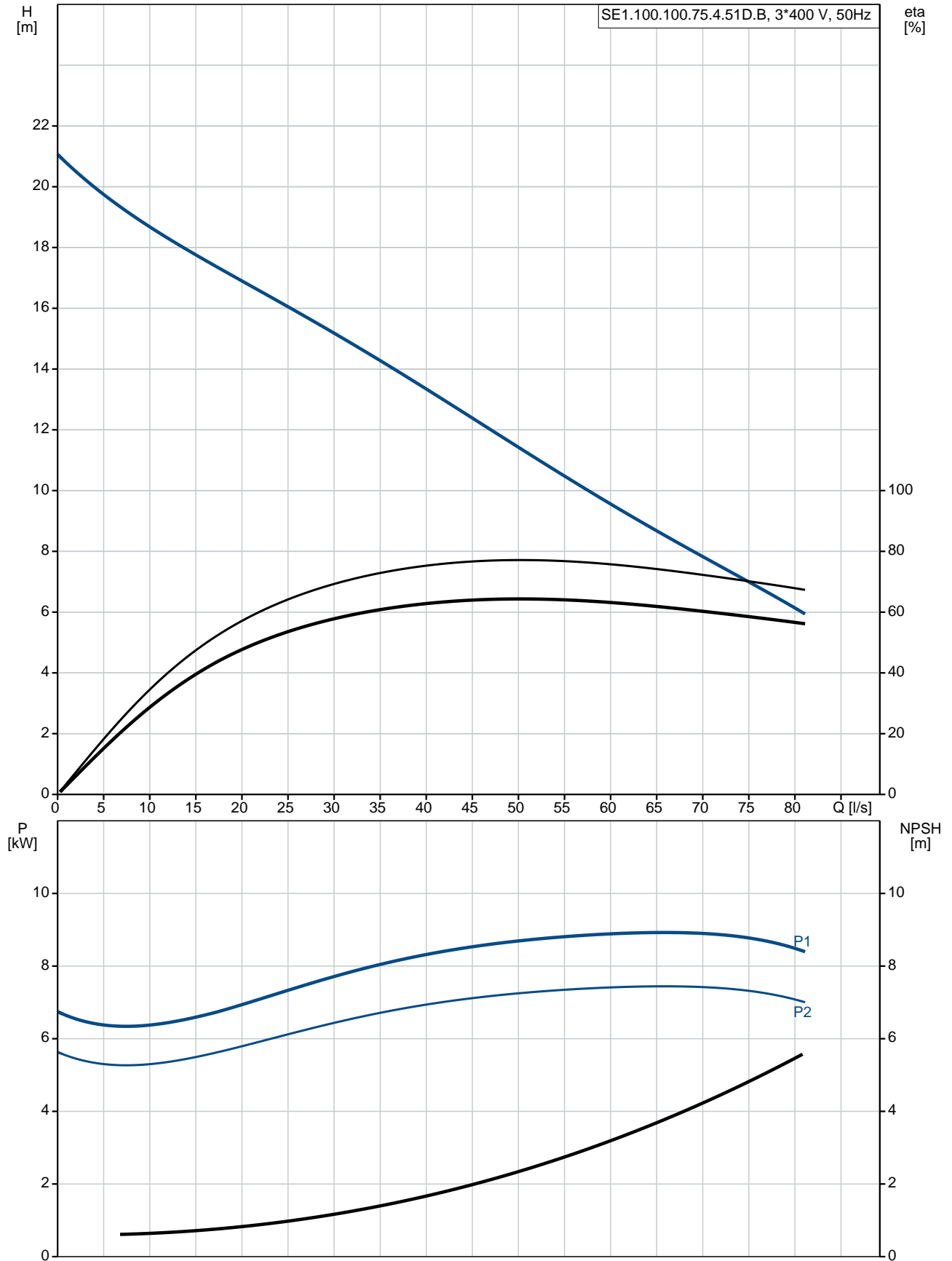


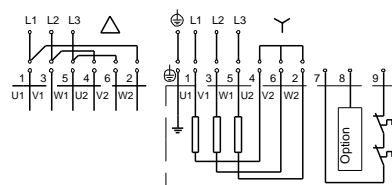
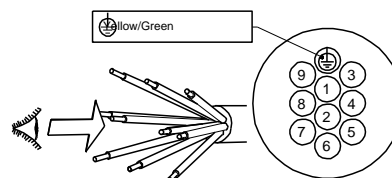
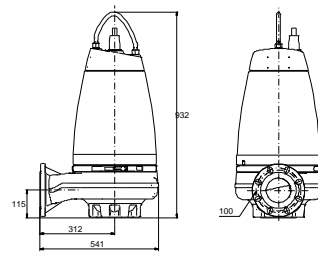
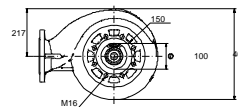
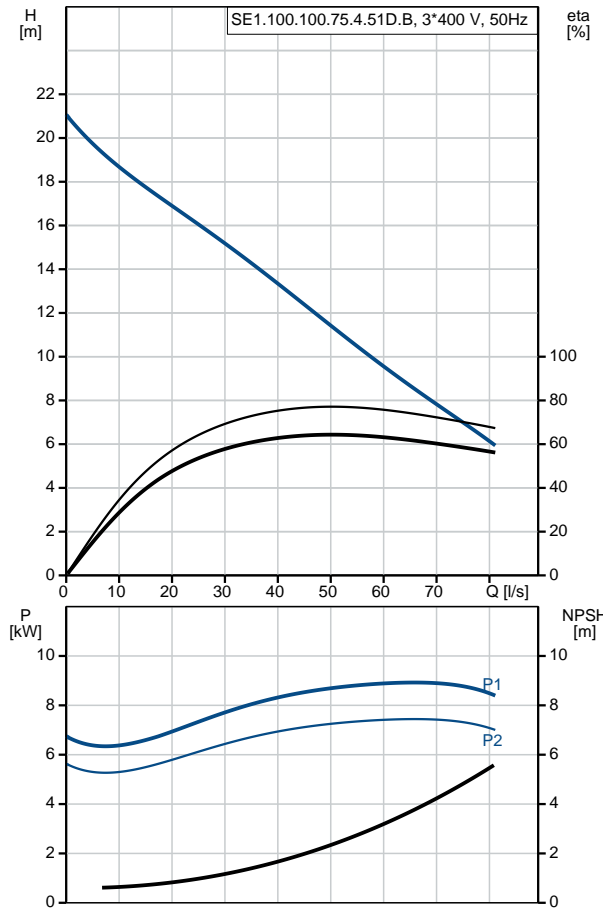
Qty.	Description																																																		
1	<p data-bbox="199 340 478 362">SE1.100.100.75.4.51D.B</p> <div data-bbox="223 380 558 660">  </div> <p data-bbox="590 638 1077 660">Note! Product picture may differ from actual product</p> <p data-bbox="199 672 470 694">Product No.: 96047671</p> <p data-bbox="199 728 1460 784">Non-self-priming, single-stage, centrifugal pump designed for handling wastewater, process water and unscreened raw sewage.</p> <p data-bbox="199 795 1460 884">The pump is designed for intermittent and continuous operation. The liquidless and maintenance free cooling system ensures that the pump can be used for submerged or dry installation. The revolutionary S-tube® impeller provides free spherical passage of solids up to 100 mm and is suitable for wastewater with a dry matter content of up to 3 %.</p> <p data-bbox="199 907 1460 952">A unique stainless-steel clamp assembling system enables quick and easy disassembly of the pump from the motor unit for service and inspection. No special tools are required. Pipework connection is via a DIN flange.</p> <p data-bbox="199 1019 319 1041">Controls:</p> <table data-bbox="199 1052 853 1131"> <tr> <td>Moisture sensor:</td> <td>without moisture sensors</td> </tr> <tr> <td>Water-in-oil sensor:</td> <td>without water-in-oil sensor</td> </tr> <tr> <td>Temp. sensor:</td> <td>N</td> </tr> </table> <p data-bbox="199 1176 287 1198">Liquid:</p> <table data-bbox="199 1198 702 1254"> <tr> <td>Liquid temperature range:</td> <td>0 .. 40 °C</td> </tr> <tr> <td>Density:</td> <td>998.2 kg/m³</td> </tr> </table> <p data-bbox="199 1288 327 1310">Technical:</p> <table data-bbox="199 1321 813 1523"> <tr> <td>Type of impeller:</td> <td>S-TUBE</td> </tr> <tr> <td>Maximum particle size:</td> <td>100 mm</td> </tr> <tr> <td>Primary shaft seal:</td> <td>SIC/SIC</td> </tr> <tr> <td>Secondary shaft seal:</td> <td>CARBON/CERAMICS</td> </tr> <tr> <td>Max. hydraulic efficiency:</td> <td>76 %</td> </tr> <tr> <td>Approvals on nameplate:</td> <td>EN12050-1</td> </tr> <tr> <td>Curve tolerance:</td> <td>ISO9906:2012 3B2</td> </tr> </table> <p data-bbox="199 1556 319 1579">Materials:</p> <table data-bbox="199 1590 813 1646"> <tr> <td>Pump housing:</td> <td>EN 1561 EN-GJL-250</td> </tr> <tr> <td>Impeller:</td> <td>Cast iron</td> </tr> </table> <p data-bbox="199 1680 343 1702">Installation:</p> <table data-bbox="199 1713 654 1848"> <tr> <td>Maximum operating pressure:</td> <td>6 bar</td> </tr> <tr> <td>Flange standard:</td> <td>DIN</td> </tr> <tr> <td>Pump outlet:</td> <td>DN 100</td> </tr> <tr> <td>Pressure rating:</td> <td>PN 10</td> </tr> <tr> <td>Maximum installation depth:</td> <td>20 m</td> </tr> </table> <p data-bbox="199 1881 383 1904">Electrical data:</p> <table data-bbox="199 1915 726 2094"> <tr> <td>Power input - P1:</td> <td>9 kW</td> </tr> <tr> <td>Rated power - P2:</td> <td>7.5 kW</td> </tr> <tr> <td>Mains frequency:</td> <td>50 Hz</td> </tr> <tr> <td>Rated voltage:</td> <td>3 x 380-415 V</td> </tr> <tr> <td>Voltage tolerance:</td> <td>+6/-10 %</td> </tr> <tr> <td>Max starts per. hour:</td> <td>20</td> </tr> </table>	Moisture sensor:	without moisture sensors	Water-in-oil sensor:	without water-in-oil sensor	Temp. sensor:	N	Liquid temperature range:	0 .. 40 °C	Density:	998.2 kg/m ³	Type of impeller:	S-TUBE	Maximum particle size:	100 mm	Primary shaft seal:	SIC/SIC	Secondary shaft seal:	CARBON/CERAMICS	Max. hydraulic efficiency:	76 %	Approvals on nameplate:	EN12050-1	Curve tolerance:	ISO9906:2012 3B2	Pump housing:	EN 1561 EN-GJL-250	Impeller:	Cast iron	Maximum operating pressure:	6 bar	Flange standard:	DIN	Pump outlet:	DN 100	Pressure rating:	PN 10	Maximum installation depth:	20 m	Power input - P1:	9 kW	Rated power - P2:	7.5 kW	Mains frequency:	50 Hz	Rated voltage:	3 x 380-415 V	Voltage tolerance:	+6/-10 %	Max starts per. hour:	20
Moisture sensor:	without moisture sensors																																																		
Water-in-oil sensor:	without water-in-oil sensor																																																		
Temp. sensor:	N																																																		
Liquid temperature range:	0 .. 40 °C																																																		
Density:	998.2 kg/m ³																																																		
Type of impeller:	S-TUBE																																																		
Maximum particle size:	100 mm																																																		
Primary shaft seal:	SIC/SIC																																																		
Secondary shaft seal:	CARBON/CERAMICS																																																		
Max. hydraulic efficiency:	76 %																																																		
Approvals on nameplate:	EN12050-1																																																		
Curve tolerance:	ISO9906:2012 3B2																																																		
Pump housing:	EN 1561 EN-GJL-250																																																		
Impeller:	Cast iron																																																		
Maximum operating pressure:	6 bar																																																		
Flange standard:	DIN																																																		
Pump outlet:	DN 100																																																		
Pressure rating:	PN 10																																																		
Maximum installation depth:	20 m																																																		
Power input - P1:	9 kW																																																		
Rated power - P2:	7.5 kW																																																		
Mains frequency:	50 Hz																																																		
Rated voltage:	3 x 380-415 V																																																		
Voltage tolerance:	+6/-10 %																																																		
Max starts per. hour:	20																																																		

Qty.	Description
	Rated current: 17.7-17.5 A
	Rated current at 3/4 load: 13.4 A
	Rated current at 1/2 load: 10.9 A
	Starting current: 107 A
	Rated current at no load: 7.4 A
	Cos phi - power factor: 0.79
	Cos phi - p.f. at no load: 0.12
	Cos phi - p.f. at 3/4 load: 0.72
	Cos phi - p.f. at 1/2 load: 0.61
	Rated speed: 1455 rpm
	Locked-rotor torque: 91 Nm
	Breakdown torque: 141 Nm
	Moment of inertia: 0.2203 kg m ²
	Motor efficiency at full load: 83.4 %
	Motor efficiency at 3/4 load: 83.5 %
	Motor efficiency at 1/2 load: 81.3 %
	Number of poles: 4
	Start. method: star/delta
	Enclosure class (IEC 34-5): IP68
	Insulation class (IEC 85): F
	Explosion proof: no
	Length of cable: 10 m
	Cable type: LYNIFLEX
	Type of cable plug: NO PLUG
	Others:
	Net weight: 220 kg
	Country of origin: HU
	Custom tariff no.: 84137021

96047671 SE1.100.100.75.4.51D.B 50 Hz



Description	Value
General information:	
Product name:	SE1.100.100.75.4.51D.B
Product No:	96047671
EAN number:	5700395058796
	5700395058796
Price:	5.606,00 GBP
Technical:	
Max flow:	81.1 l/s
Head max:	20.6 m
Type of impeller:	S-TUBE
Maximum particle size:	100 mm
Primary shaft seal:	SIC/SIC
Secondary shaft seal:	CARBON/CERAMICS
Max. hydraulic efficiency:	76 %
Approvals on nameplate:	EN12050-1
Curve tolerance:	ISO9906:2012 3B2
Cooling jacket:	with cooling jacket
Materials:	
Pump housing:	EN 1561 EN-GJL-250
Impeller:	Cast iron
Installation:	
Maximum operating pressure:	6 bar
Flange standard:	DIN
Pump outlet:	DN 100
Pressure rating:	PN 10
Maximum installation depth:	20 m
Inst dry/wet:	DRY/SUBMERGED
Installation:	horizontal or vertical
Liquid:	
Liquid temperature range:	0 .. 40 °C
Density:	998.2 kg/m ³
Electrical data:	
Power input - P1:	9 kW
Rated power - P2:	7.5 kW
Mains frequency:	50 Hz
Rated voltage:	3 x 380-415 V
Voltage tolerance:	+6/-10 %
Max starts per. hour:	20
Rated current:	17.7-17.5 A
Rated current at 3/4 load:	13.4 A
Rated current at 1/2 load:	10.9 A
Starting current:	107 A
Rated current at no load:	7.4 A
Cos phi - power factor:	0.79
Cos phi - p.f. at no load:	0.12
Cos phi - p.f. at 3/4 load:	0.72
Cos phi - p.f. at 1/2 load:	0.61
Rated speed:	1455 rpm
Locked-rotor torque:	91 Nm
Breakdown torque:	141 Nm
Moment of inertia:	0.2203 kg m ²
Motor efficiency at full load:	83.4 %
Motor efficiency at 3/4 load:	83.5 %
Motor efficiency at 1/2 load:	81.3 %
Number of poles:	4
Start. method:	star/delta
Enclosure class (IEC 34-5):	IP68
Insulation class (IEC 85):	F





Company name:

Created by:

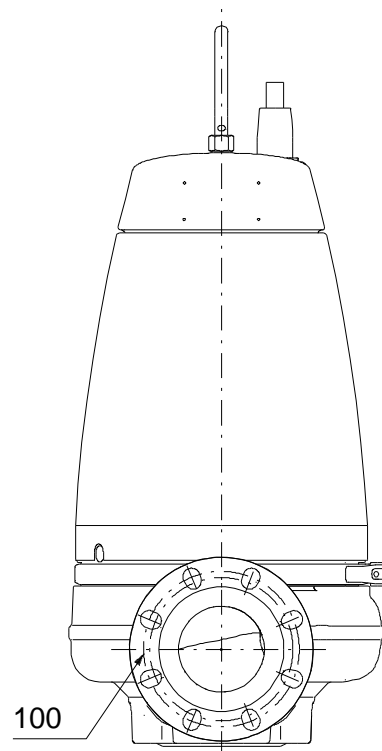
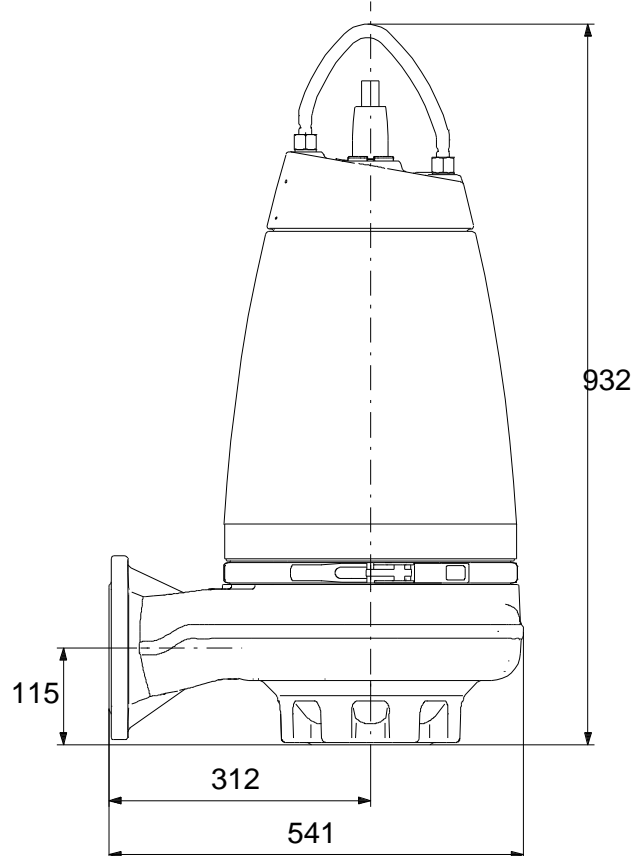
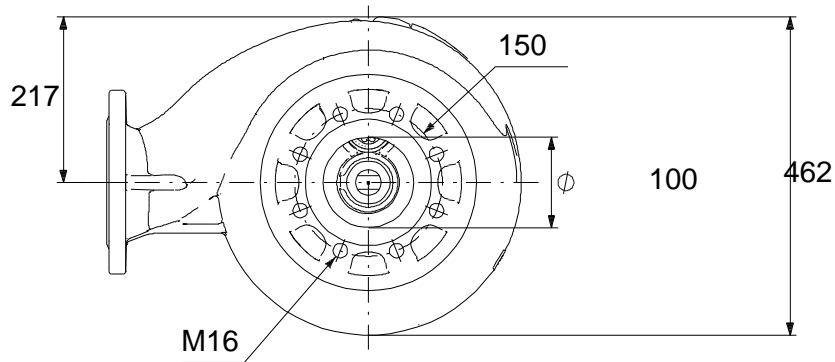
Phone:

Date:

21/01/2020

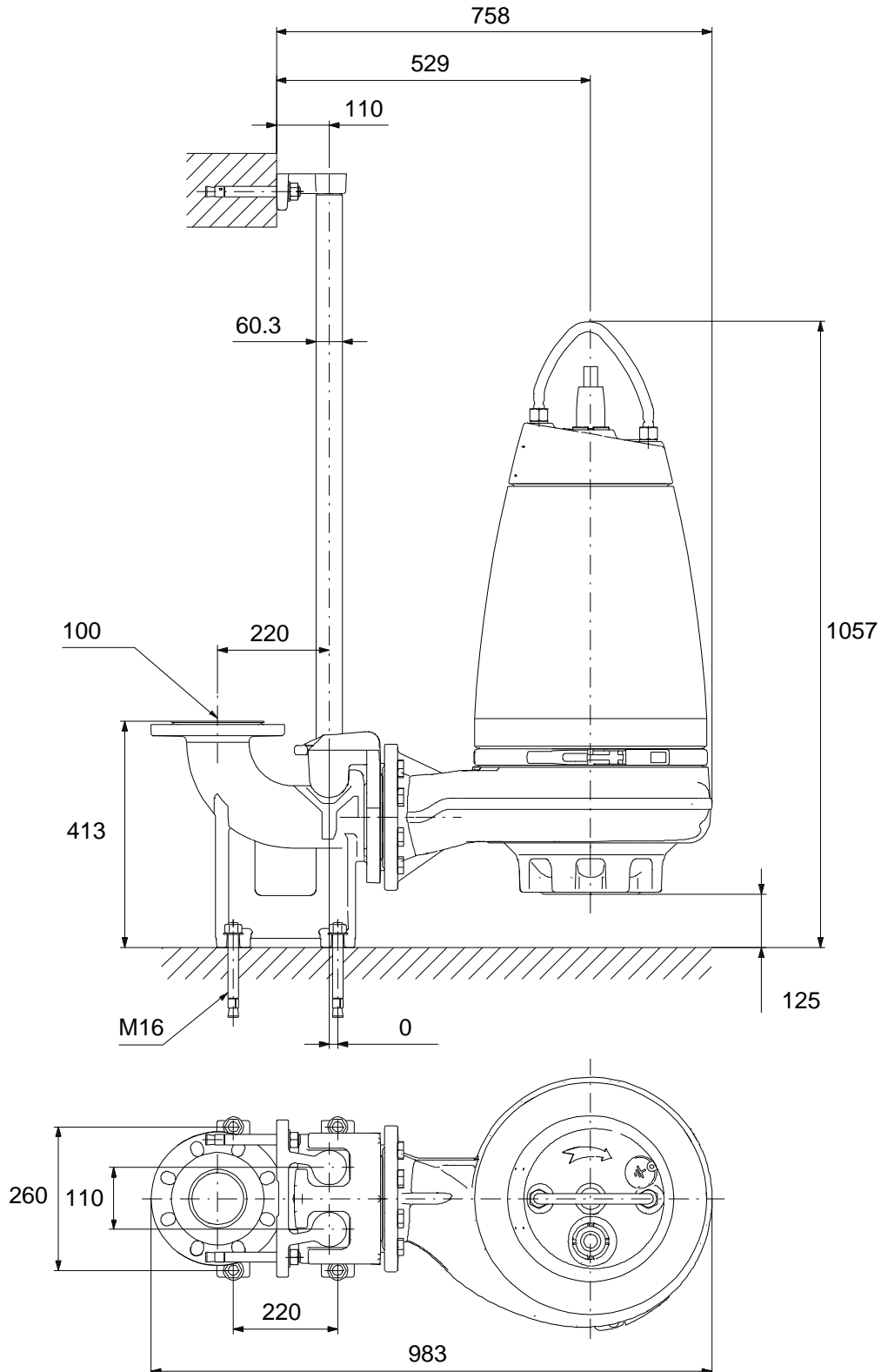
Description	Value
Explosion proof:	no
Motor protec:	THERMAL SWITCH
Thermal protec:	internal
Length of cable:	10 m
Cable type:	LYNIFLEX
Type of cable plug:	NO PLUG
Controls:	
Control box:	not included
Moisture sensor:	without moisture sensors
Water-in-oil sensor:	without water-in-oil sensor
Temp. sensor:	N
Others:	
Net weight:	220 kg
Country of origin:	HU
Custom tariff no.:	84137021

96047671 SE1.100.100.75.4.51D.B 50 Hz



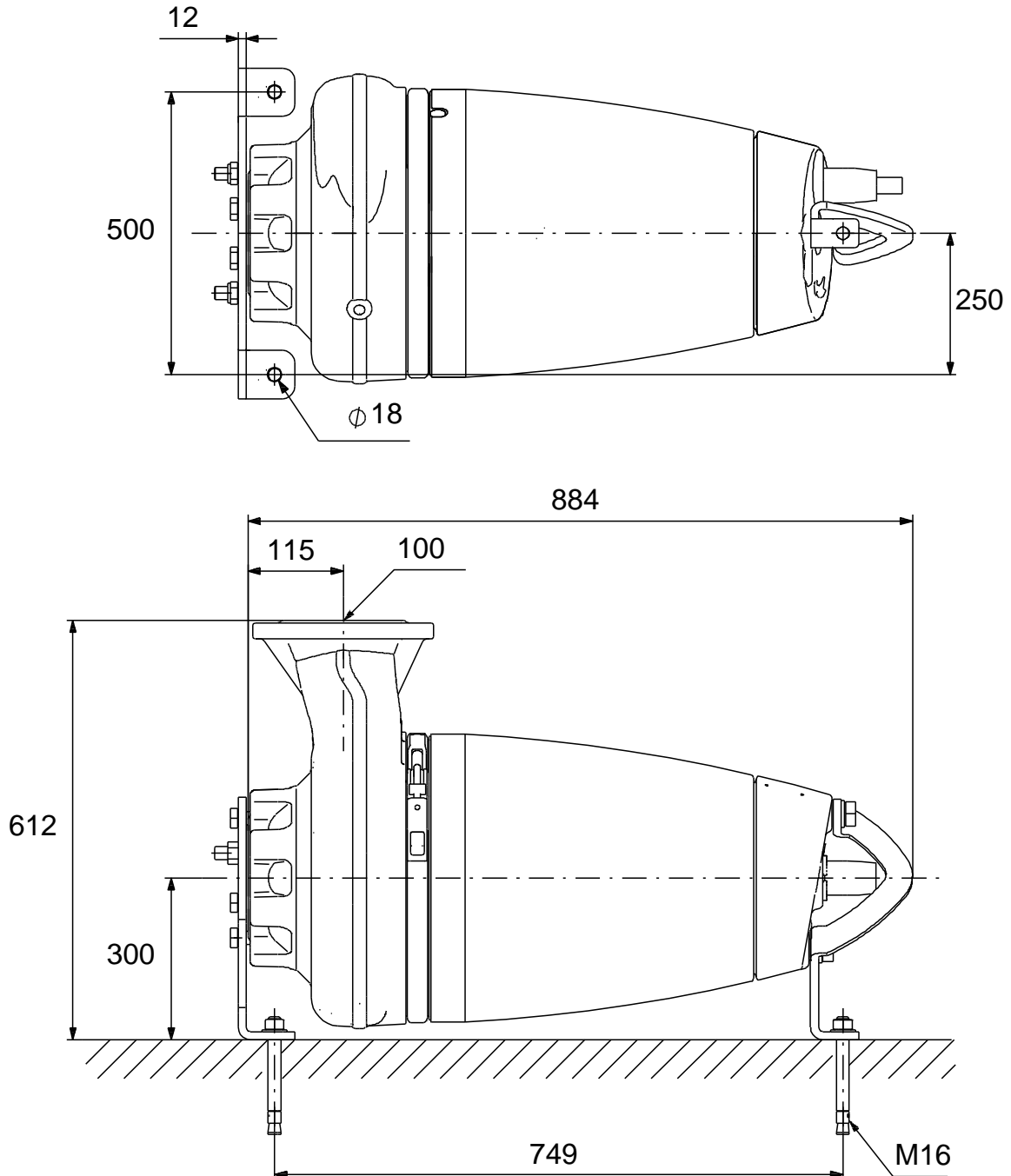
Note! All units are in [mm] unless others are stated.
Disclaimer: This simplified dimensional drawing does not show all details.

96047671 SE1.100.100.75.4.51D.B 50 Hz



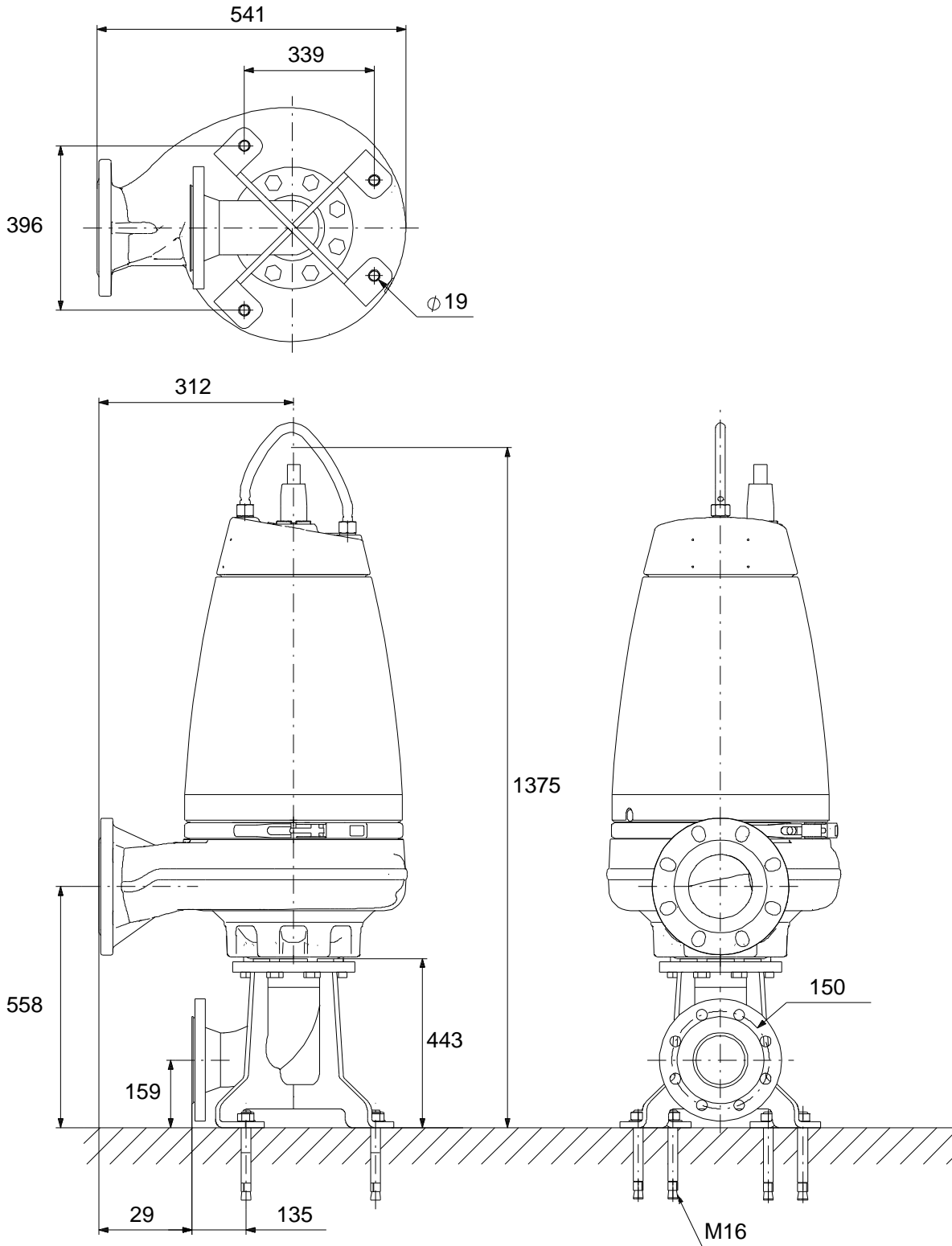
Note! All units are in [mm] unless others are stated.
Disclaimer: This simplified dimensional drawing does not show all details.

96047671 SE1.100.100.75.4.51D.B 50 Hz



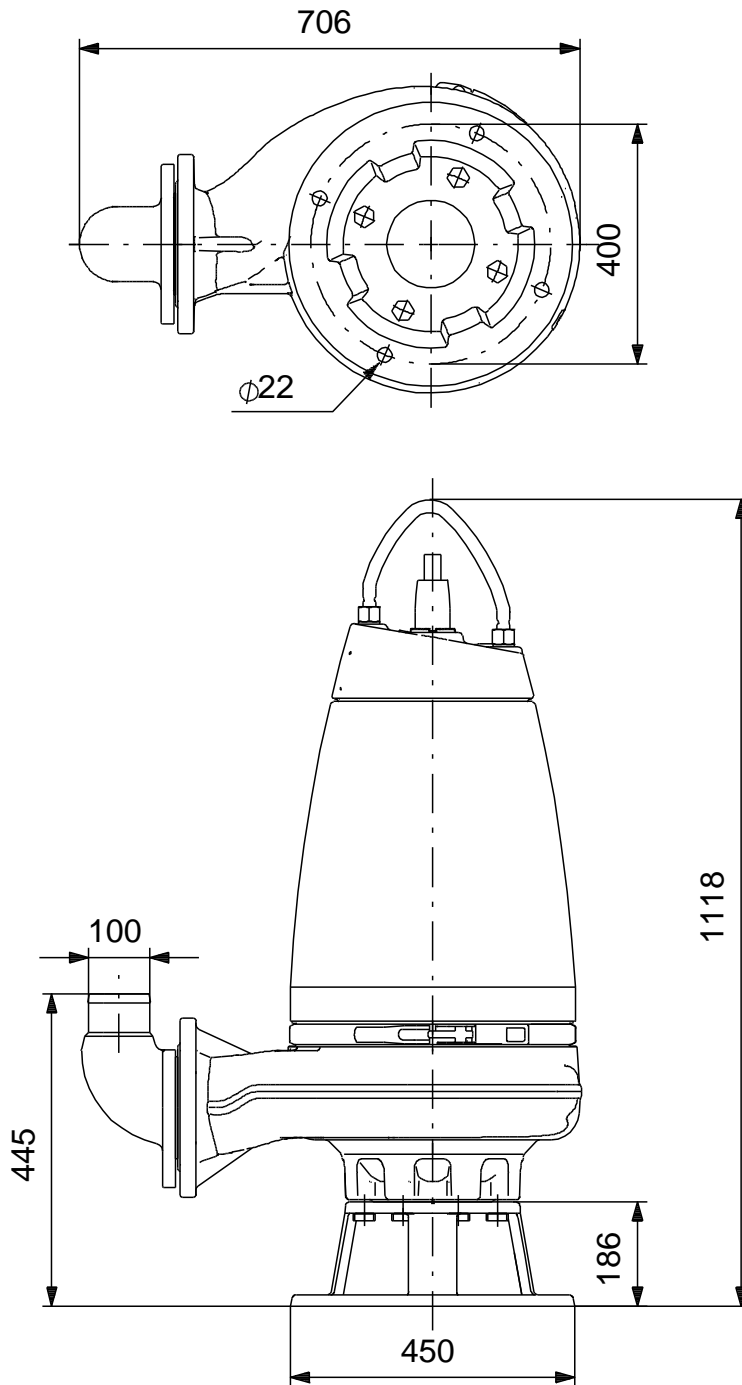
Note! All units are in [mm] unless others are stated.
Disclaimer: This simplified dimensional drawing does not show all details.

96047671 SE1.100.100.75.4.51D.B 50 Hz



Note! All units are in [mm] unless others are stated.
Disclaimer: This simplified dimensional drawing does not show all details.

96047671 SE1.100.100.75.4.51D.B 50 Hz



Note! All units are in [mm] unless others are stated.
Disclaimer: This simplified dimensional drawing does not show all details.