
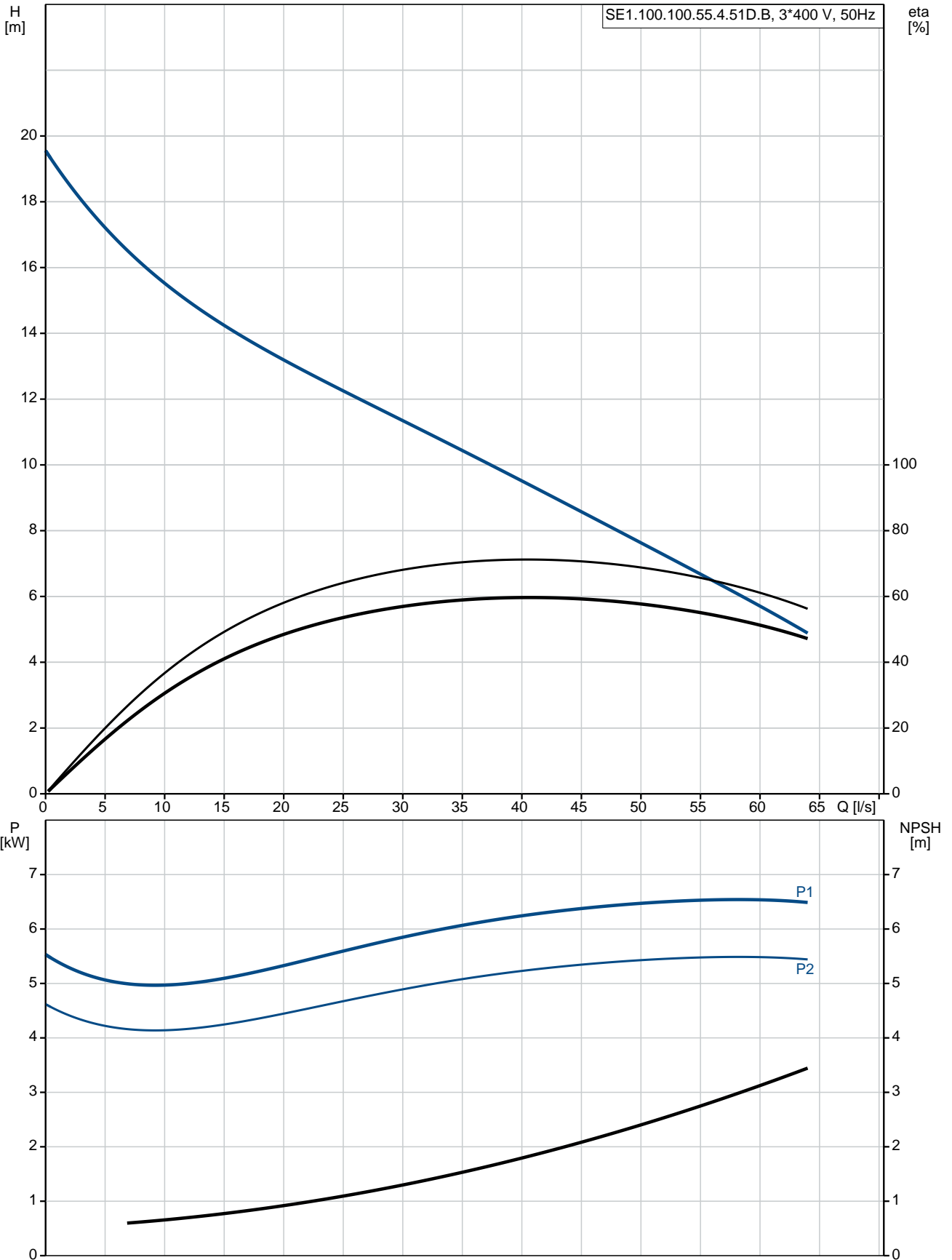


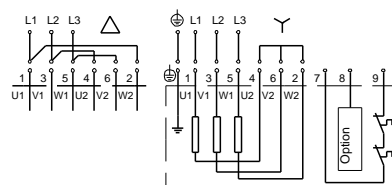
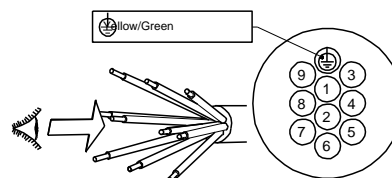
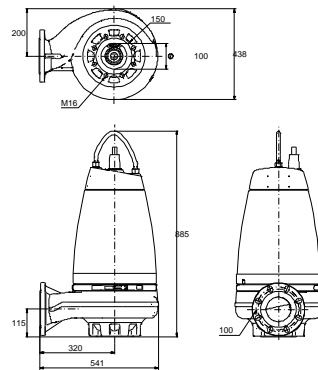
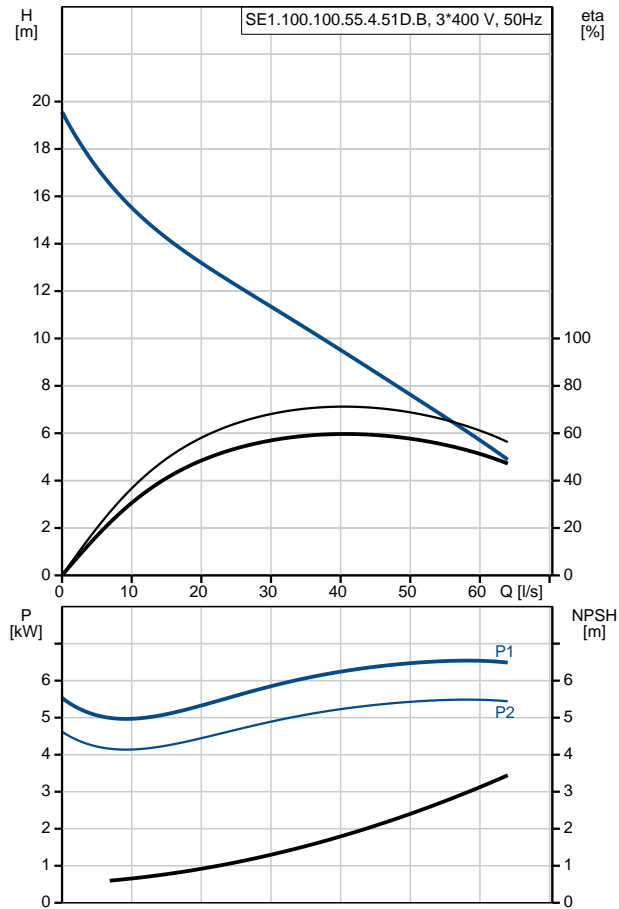
| Qty. | Description | | | | | | | | | | | | | | | | | | | | | | | | | | | | | | | | | | | | | | | | | | | | | | | | | | |
|-----------------------------|---|------------------|--------------------------|----------------------|-----------------------------|---------------|---|----------------|----------------------|---------------------------|------------|----------|-------------------------|-------------------|--------|------------------------|--------|---------------------|---------|-----------------------|-----------------|----------------------------|------|-------------------------|-----------|------------------|------------------|---------------|--------------------|-----------|-----------|-----------------------------|-------|------------------|-----|--------------|--------|------------------|-------|-----------------------------|------|-------------------|--------|-------------------|--------|------------------|-------|----------------|---------------|--------------------|----------|
| 1 | <p data-bbox="204 342 480 365">SE1.100.100.55.4.51D.B</p> <div data-bbox="228 383 560 663">  </div> <p data-bbox="595 645 1075 667">Note! Product picture may differ from actual product</p> <p data-bbox="204 678 467 701">Product No.: 96047657</p> <p data-bbox="204 734 1460 790">Non-self-priming, single-stage, centrifugal pump designed for handling wastewater, process water and unscreened raw sewage.</p> <p data-bbox="204 797 1460 898">The pump is designed for intermittent and continuous operation. The liquidless and maintenance free cooling system ensures that the pump can be used for submerged or dry installation. The revolutionary S-tube® impeller provides free spherical passage of solids up to 100 mm and is suitable for wastewater with a dry matter content of up to 3 %.</p> <p data-bbox="204 909 1460 965">A unique stainless-steel clamp assembling system enables quick and easy disassembly of the pump from the motor unit for service and inspection. No special tools are required. Pipework connection is via a DIN flange.</p> <p data-bbox="204 1021 316 1043">Controls:</p> <table data-bbox="204 1055 855 1137"> <tr> <td>Moisture sensor:</td> <td>without moisture sensors</td> </tr> <tr> <td>Water-in-oil sensor:</td> <td>without water-in-oil sensor</td> </tr> <tr> <td>Temp. sensor:</td> <td>N</td> </tr> </table> <p data-bbox="204 1171 288 1193">Liquid:</p> <table data-bbox="204 1205 799 1288"> <tr> <td>Pumped liquid:</td> <td>Any Newtonian liquid</td> </tr> <tr> <td>Liquid temperature range:</td> <td>0 .. 40 °C</td> </tr> <tr> <td>Density:</td> <td>998.2 kg/m³</td> </tr> </table> <p data-bbox="204 1321 325 1344">Technical:</p> <table data-bbox="204 1355 810 1559"> <tr> <td>Type of impeller:</td> <td>S-TUBE</td> </tr> <tr> <td>Maximum particle size:</td> <td>100 mm</td> </tr> <tr> <td>Primary shaft seal:</td> <td>SIC/SIC</td> </tr> <tr> <td>Secondary shaft seal:</td> <td>CARBON/CERAMICS</td> </tr> <tr> <td>Max. hydraulic efficiency:</td> <td>73 %</td> </tr> <tr> <td>Approvals on nameplate:</td> <td>EN12050-1</td> </tr> <tr> <td>Curve tolerance:</td> <td>ISO9906:2012 3B2</td> </tr> </table> <p data-bbox="204 1592 320 1615">Materials:</p> <table data-bbox="204 1626 810 1682"> <tr> <td>Pump housing:</td> <td>EN 1561 EN-GJL-250</td> </tr> <tr> <td>Impeller:</td> <td>Cast iron</td> </tr> </table> <p data-bbox="204 1715 341 1738">Installation:</p> <table data-bbox="204 1749 651 1883"> <tr> <td>Maximum operating pressure:</td> <td>6 bar</td> </tr> <tr> <td>Flange standard:</td> <td>DIN</td> </tr> <tr> <td>Pump outlet:</td> <td>DN 100</td> </tr> <tr> <td>Pressure rating:</td> <td>PN 10</td> </tr> <tr> <td>Maximum installation depth:</td> <td>20 m</td> </tr> </table> <p data-bbox="204 1917 379 1939">Electrical data:</p> <table data-bbox="204 1951 722 2096"> <tr> <td>Power input - P1:</td> <td>6.5 kW</td> </tr> <tr> <td>Rated power - P2:</td> <td>5.5 kW</td> </tr> <tr> <td>Mains frequency:</td> <td>50 Hz</td> </tr> <tr> <td>Rated voltage:</td> <td>3 x 380-415 V</td> </tr> <tr> <td>Voltage tolerance:</td> <td>+6/-10 %</td> </tr> </table> | Moisture sensor: | without moisture sensors | Water-in-oil sensor: | without water-in-oil sensor | Temp. sensor: | N | Pumped liquid: | Any Newtonian liquid | Liquid temperature range: | 0 .. 40 °C | Density: | 998.2 kg/m ³ | Type of impeller: | S-TUBE | Maximum particle size: | 100 mm | Primary shaft seal: | SIC/SIC | Secondary shaft seal: | CARBON/CERAMICS | Max. hydraulic efficiency: | 73 % | Approvals on nameplate: | EN12050-1 | Curve tolerance: | ISO9906:2012 3B2 | Pump housing: | EN 1561 EN-GJL-250 | Impeller: | Cast iron | Maximum operating pressure: | 6 bar | Flange standard: | DIN | Pump outlet: | DN 100 | Pressure rating: | PN 10 | Maximum installation depth: | 20 m | Power input - P1: | 6.5 kW | Rated power - P2: | 5.5 kW | Mains frequency: | 50 Hz | Rated voltage: | 3 x 380-415 V | Voltage tolerance: | +6/-10 % |
| Moisture sensor: | without moisture sensors | | | | | | | | | | | | | | | | | | | | | | | | | | | | | | | | | | | | | | | | | | | | | | | | | | |
| Water-in-oil sensor: | without water-in-oil sensor | | | | | | | | | | | | | | | | | | | | | | | | | | | | | | | | | | | | | | | | | | | | | | | | | | |
| Temp. sensor: | N | | | | | | | | | | | | | | | | | | | | | | | | | | | | | | | | | | | | | | | | | | | | | | | | | | |
| Pumped liquid: | Any Newtonian liquid | | | | | | | | | | | | | | | | | | | | | | | | | | | | | | | | | | | | | | | | | | | | | | | | | | |
| Liquid temperature range: | 0 .. 40 °C | | | | | | | | | | | | | | | | | | | | | | | | | | | | | | | | | | | | | | | | | | | | | | | | | | |
| Density: | 998.2 kg/m ³ | | | | | | | | | | | | | | | | | | | | | | | | | | | | | | | | | | | | | | | | | | | | | | | | | | |
| Type of impeller: | S-TUBE | | | | | | | | | | | | | | | | | | | | | | | | | | | | | | | | | | | | | | | | | | | | | | | | | | |
| Maximum particle size: | 100 mm | | | | | | | | | | | | | | | | | | | | | | | | | | | | | | | | | | | | | | | | | | | | | | | | | | |
| Primary shaft seal: | SIC/SIC | | | | | | | | | | | | | | | | | | | | | | | | | | | | | | | | | | | | | | | | | | | | | | | | | | |
| Secondary shaft seal: | CARBON/CERAMICS | | | | | | | | | | | | | | | | | | | | | | | | | | | | | | | | | | | | | | | | | | | | | | | | | | |
| Max. hydraulic efficiency: | 73 % | | | | | | | | | | | | | | | | | | | | | | | | | | | | | | | | | | | | | | | | | | | | | | | | | | |
| Approvals on nameplate: | EN12050-1 | | | | | | | | | | | | | | | | | | | | | | | | | | | | | | | | | | | | | | | | | | | | | | | | | | |
| Curve tolerance: | ISO9906:2012 3B2 | | | | | | | | | | | | | | | | | | | | | | | | | | | | | | | | | | | | | | | | | | | | | | | | | | |
| Pump housing: | EN 1561 EN-GJL-250 | | | | | | | | | | | | | | | | | | | | | | | | | | | | | | | | | | | | | | | | | | | | | | | | | | |
| Impeller: | Cast iron | | | | | | | | | | | | | | | | | | | | | | | | | | | | | | | | | | | | | | | | | | | | | | | | | | |
| Maximum operating pressure: | 6 bar | | | | | | | | | | | | | | | | | | | | | | | | | | | | | | | | | | | | | | | | | | | | | | | | | | |
| Flange standard: | DIN | | | | | | | | | | | | | | | | | | | | | | | | | | | | | | | | | | | | | | | | | | | | | | | | | | |
| Pump outlet: | DN 100 | | | | | | | | | | | | | | | | | | | | | | | | | | | | | | | | | | | | | | | | | | | | | | | | | | |
| Pressure rating: | PN 10 | | | | | | | | | | | | | | | | | | | | | | | | | | | | | | | | | | | | | | | | | | | | | | | | | | |
| Maximum installation depth: | 20 m | | | | | | | | | | | | | | | | | | | | | | | | | | | | | | | | | | | | | | | | | | | | | | | | | | |
| Power input - P1: | 6.5 kW | | | | | | | | | | | | | | | | | | | | | | | | | | | | | | | | | | | | | | | | | | | | | | | | | | |
| Rated power - P2: | 5.5 kW | | | | | | | | | | | | | | | | | | | | | | | | | | | | | | | | | | | | | | | | | | | | | | | | | | |
| Mains frequency: | 50 Hz | | | | | | | | | | | | | | | | | | | | | | | | | | | | | | | | | | | | | | | | | | | | | | | | | | |
| Rated voltage: | 3 x 380-415 V | | | | | | | | | | | | | | | | | | | | | | | | | | | | | | | | | | | | | | | | | | | | | | | | | | |
| Voltage tolerance: | +6/-10 % | | | | | | | | | | | | | | | | | | | | | | | | | | | | | | | | | | | | | | | | | | | | | | | | | | |

| Qty. | Description |
|------|---|
| | Max starts per. hour: 20 |
| | Rated current: 13.3-13.8 A |
| | Rated current at 3/4 load: 11 A |
| | Rated current at 1/2 load: 9.5 A |
| | Starting current: 87 A |
| | Rated current at no load: 8.3 A |
| | Cos phi - power factor: 0.74 |
| | Cos phi - p.f. at no load: 0.1 |
| | Cos phi - p.f. at 3/4 load: 0.65 |
| | Cos phi - p.f. at 1/2 load: 0.52 |
| | Rated speed: 1455 rpm |
| | Locked-rotor torque: 98 Nm |
| | Breakdown torque: 122 Nm |
| | Moment of inertia: 0.1725 kg m ² |
| | Motor efficiency at full load: 83.9 % |
| | Motor efficiency at 3/4 load: 83.3 % |
| | Motor efficiency at 1/2 load: 81 % |
| | Number of poles: 4 |
| | Start. method: star/delta |
| | Enclosure class (IEC 34-5): IP68 |
| | Insulation class (IEC 85): F |
| | Explosion proof: no |
| | Length of cable: 10 m |
| | Cable type: LYNIFLEX |
| | Type of cable plug: NO PLUG |
| | Others: |
| | Net weight: 169 kg |
| | Country of origin: HU |
| | Custom tariff no.: 84137021 |

96047657 SE1.100.100.55.4.51D.B 50 Hz



| Description | Value |
|--------------------------------|--------------------------|
| General information: | |
| Product name: | SE1.100.100.55.4.51D.B |
| Product No: | 96047657 |
| EAN number: | 5700395058758 |
| | 5700395058758 |
| Price: | 4.985,00 GBP |
| Technical: | |
| Max flow: | 71.4 l/s |
| Head max: | 19.1 m |
| Type of impeller: | S-TUBE |
| Maximum particle size: | 100 mm |
| Primary shaft seal: | SIC/SIC |
| Secondary shaft seal: | CARBON/CERAMICS |
| Max. hydraulic efficiency: | 73 % |
| Approvals on nameplate: | EN12050-1 |
| Curve tolerance: | ISO9906:2012 3B2 |
| Cooling jacket: | with cooling jacket |
| Materials: | |
| Pump housing: | EN 1561 EN-GJL-250 |
| Impeller: | Cast iron |
| Installation: | |
| Maximum operating pressure: | 6 bar |
| Flange standard: | DIN |
| Pump outlet: | DN 100 |
| Pressure rating: | PN 10 |
| Maximum installation depth: | 20 m |
| Inst dry/wet: | DRY/SUBMERGED |
| Installation: | horizontal or vertical |
| Liquid: | |
| Pumped liquid: | Any Newtonian liquid |
| Liquid temperature range: | 0 .. 40 °C |
| Density: | 998.2 kg/m ³ |
| Electrical data: | |
| Power input - P1: | 6.5 kW |
| Rated power - P2: | 5.5 kW |
| Mains frequency: | 50 Hz |
| Rated voltage: | 3 x 380-415 V |
| Voltage tolerance: | +6/-10 % |
| Max starts per. hour: | 20 |
| Rated current: | 13.3-13.8 A |
| Rated current at 3/4 load: | 11 A |
| Rated current at 1/2 load: | 9.5 A |
| Starting current: | 87 A |
| Rated current at no load: | 8.3 A |
| Cos phi - power factor: | 0.74 |
| Cos phi - p.f. at no load: | 0.1 |
| Cos phi - p.f. at 3/4 load: | 0.65 |
| Cos phi - p.f. at 1/2 load: | 0.52 |
| Rated speed: | 1455 rpm |
| Locked-rotor torque: | 98 Nm |
| Breakdown torque: | 122 Nm |
| Moment of inertia: | 0.1725 kg m ² |
| Motor efficiency at full load: | 83.9 % |
| Motor efficiency at 3/4 load: | 83.3 % |
| Motor efficiency at 1/2 load: | 81 % |
| Number of poles: | 4 |
| Start. method: | star/delta |
| Enclosure class (IEC 34-5): | IP68 |





Company name:

Created by:

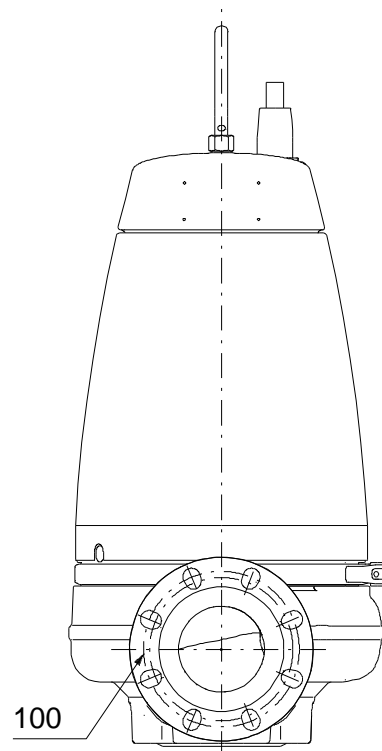
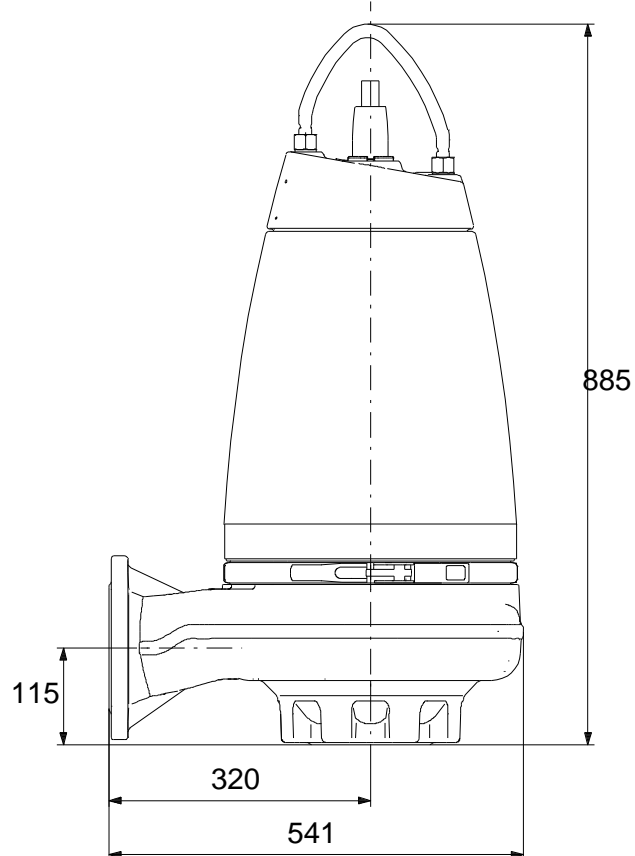
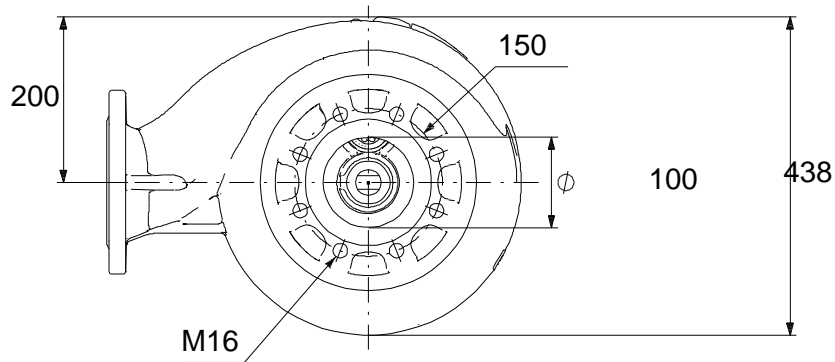
Phone:

Date:

21/01/2020

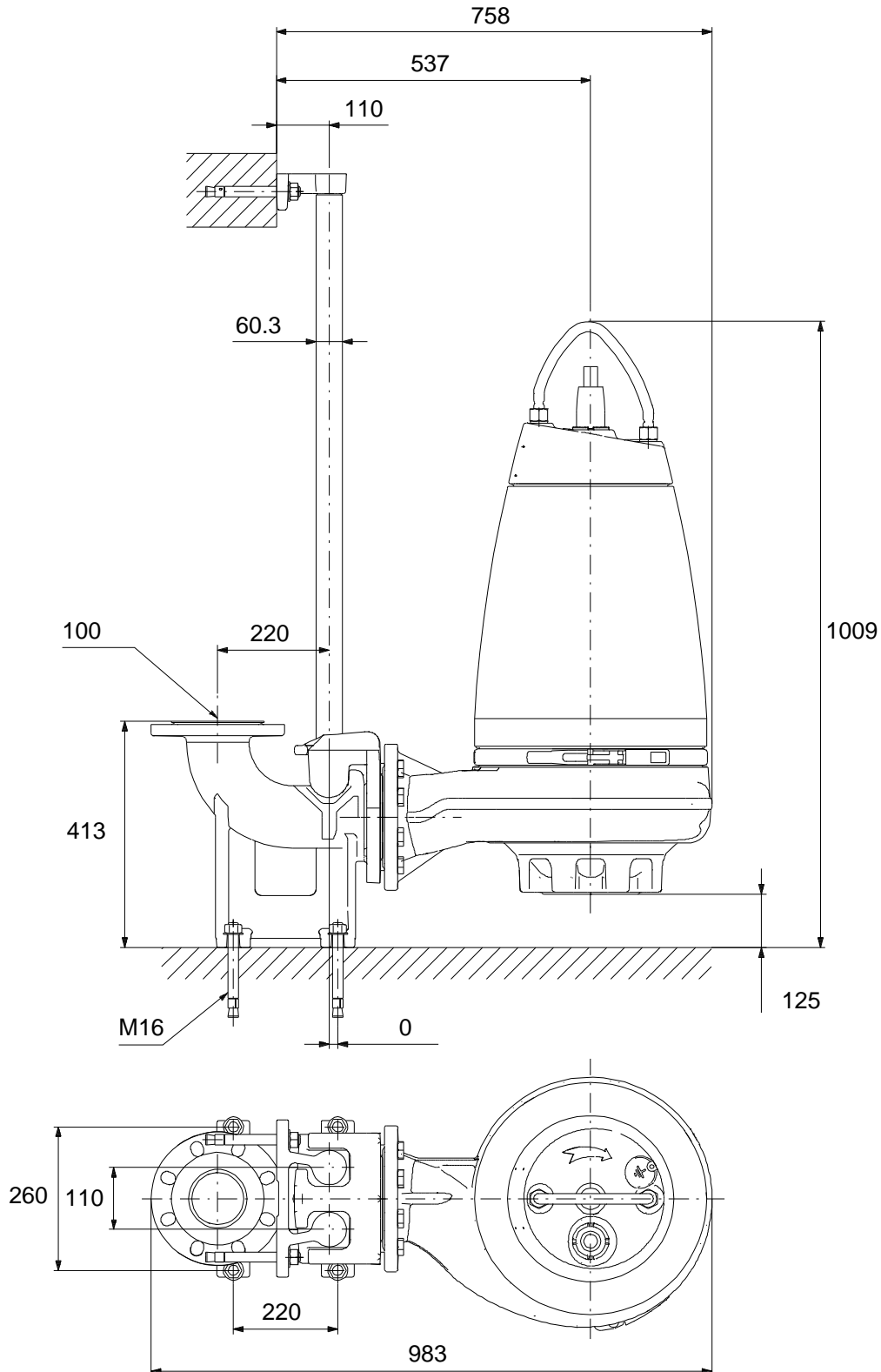
| Description | Value |
|----------------------------|-----------------------------|
| Insulation class (IEC 85): | F |
| Explosion proof: | no |
| Motor protec: | THERMAL SWITCH |
| Thermal protec: | internal |
| Length of cable: | 10 m |
| Cable type: | LYNIFLEX |
| Type of cable plug: | NO PLUG |
| Controls: | |
| Control box: | not included |
| Moisture sensor: | without moisture sensors |
| Water-in-oil sensor: | without water-in-oil sensor |
| Temp. sensor: | N |
| Others: | |
| Net weight: | 169 kg |
| Country of origin: | HU |
| Custom tariff no.: | 84137021 |

96047657 SE1.100.100.55.4.51D.B 50 Hz

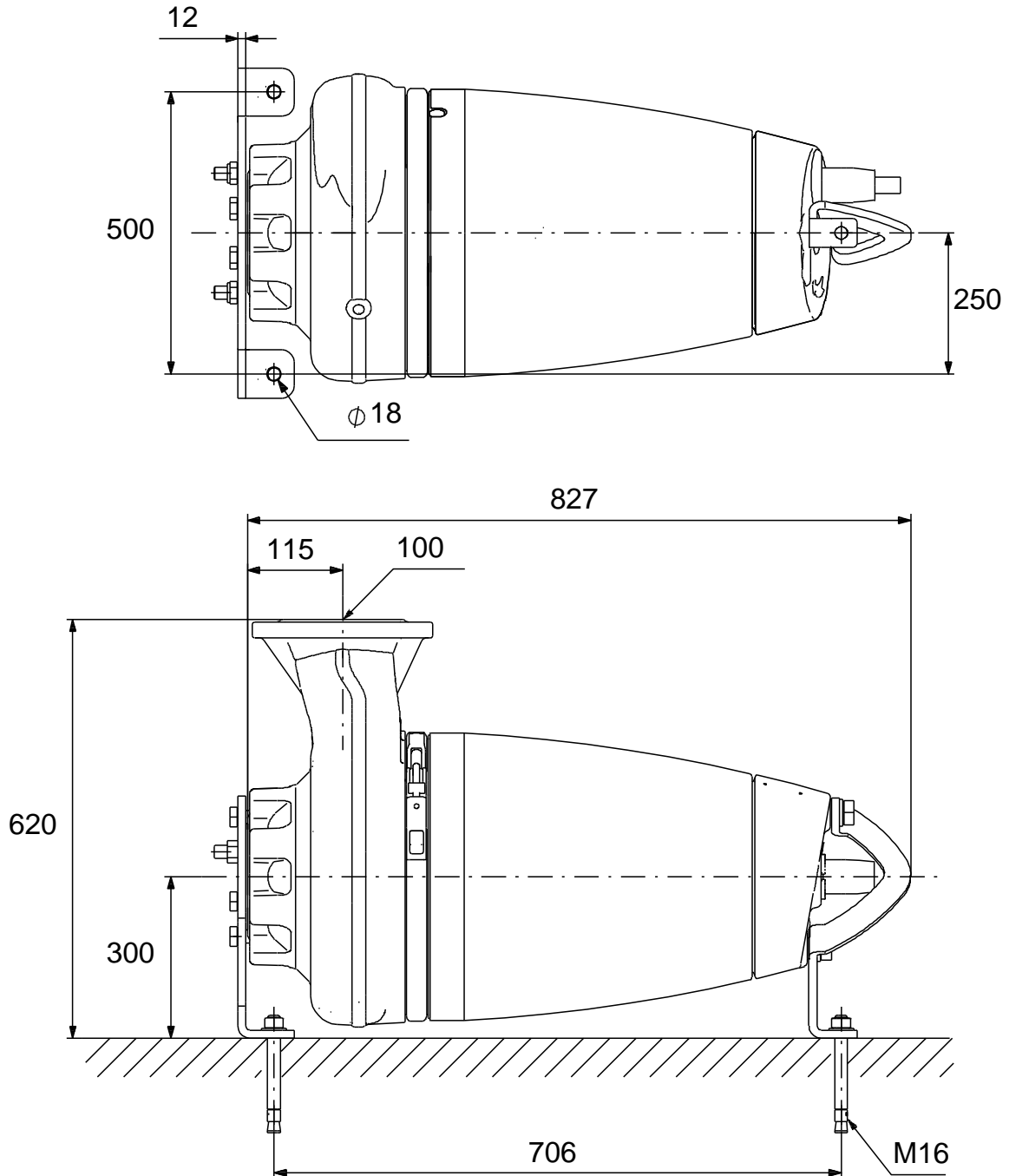


Note! All units are in [mm] unless others are stated.
Disclaimer: This simplified dimensional drawing does not show all details.

96047657 SE1.100.100.55.4.51D.B 50 Hz

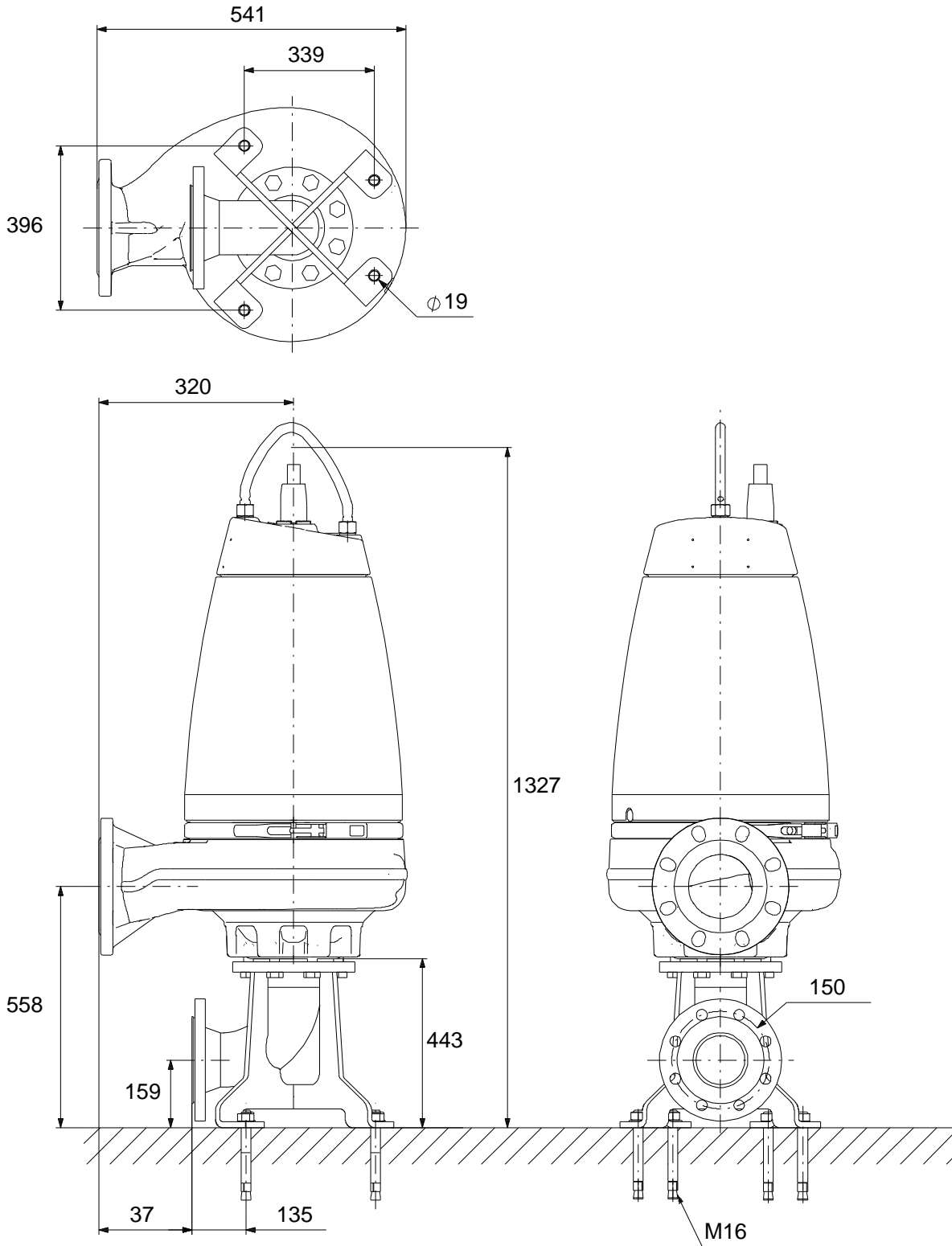


96047657 SE1.100.100.55.4.51D.B 50 Hz



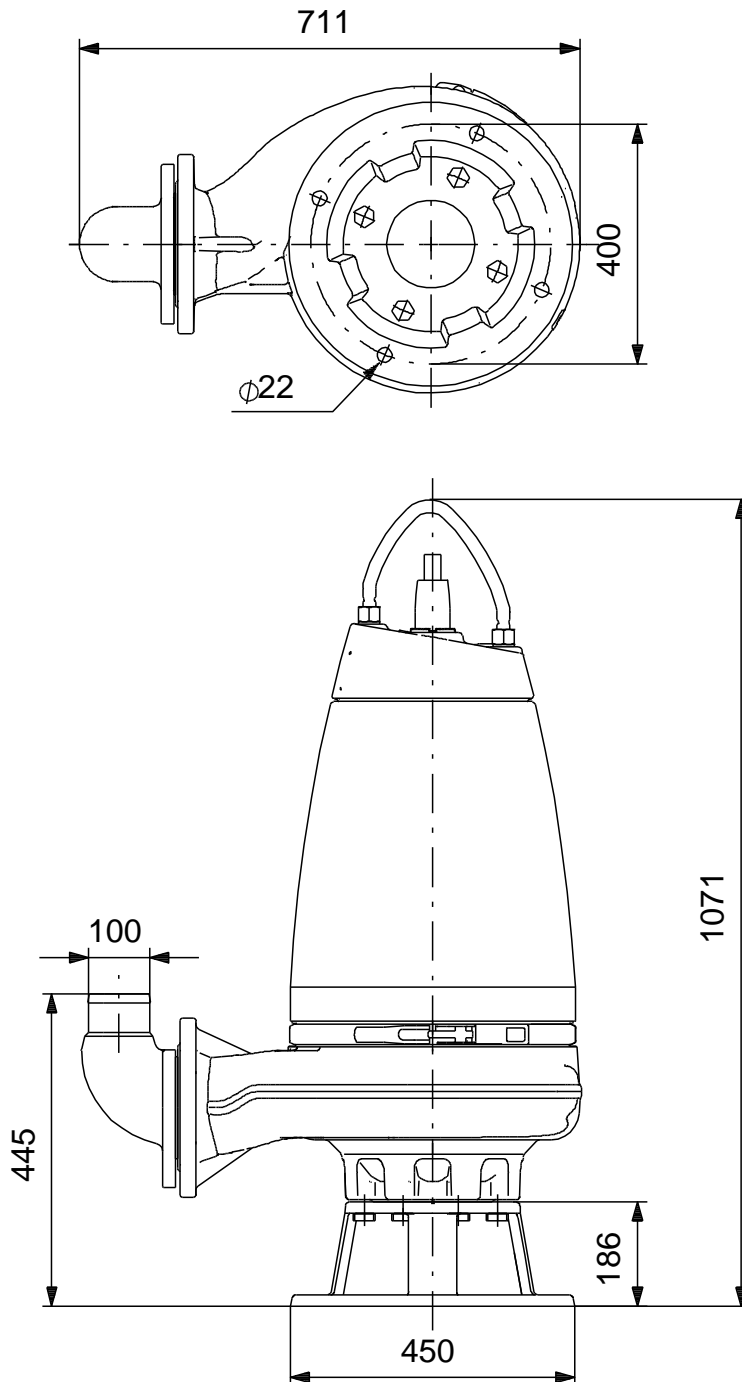
Note! All units are in [mm] unless others are stated.
Disclaimer: This simplified dimensional drawing does not show all details.

96047657 SE1.100.100.55.4.51D.B 50 Hz



Note! All units are in [mm] unless others are stated.
Disclaimer: This simplified dimensional drawing does not show all details.

96047657 SE1.100.100.55.4.51D.B 50 Hz



Note! All units are in [mm] unless others are stated.
Disclaimer: This simplified dimensional drawing does not show all details.