

**Qty. Description**

1 SE1.80.80.75.4.51D.B



Note! Product picture may differ from actual product

Product No.: [96047627](#)

Non-self-priming, single-stage, centrifugal pump designed for handling wastewater, process water and unscreened raw sewage.

The pump is designed for intermittent and continuous operation. The liquidless and maintenance free cooling system ensures that the pump can be used for submerged or dry installation. The revolutionary S-tube® impeller provides free spherical passage of solids up to 80 mm and is suitable for wastewater with a dry matter content of up to 3 %.

A unique stainless-steel clamp assembling system enables quick and easy disassembly of the pump from the motor unit for service and inspection. No special tools are required. Pipework connection is via a DIN flange.

**Controls:**

Moisture sensor: without moisture sensors  
 Water-in-oil sensor: without water-in-oil sensor  
 Temp. sensor: N

**Liquid:**

Liquid temperature range: 0 .. 40 °C  
 Density: 998.2 kg/m<sup>3</sup>

**Technical:**

Type of impeller: S-TUBE  
 Maximum particle size: 80 mm  
 Primary shaft seal: SIC/SIC  
 Secondary shaft seal: CARBON/CERAMICS  
 Max. hydraulic efficiency: 71 %  
 Approvals on nameplate: EN12050-1  
 Curve tolerance: ISO9906:2012 3B2

**Materials:**

Pump housing: EN 1561 EN-GJL-250  
 Impeller: Cast iron

**Installation:**

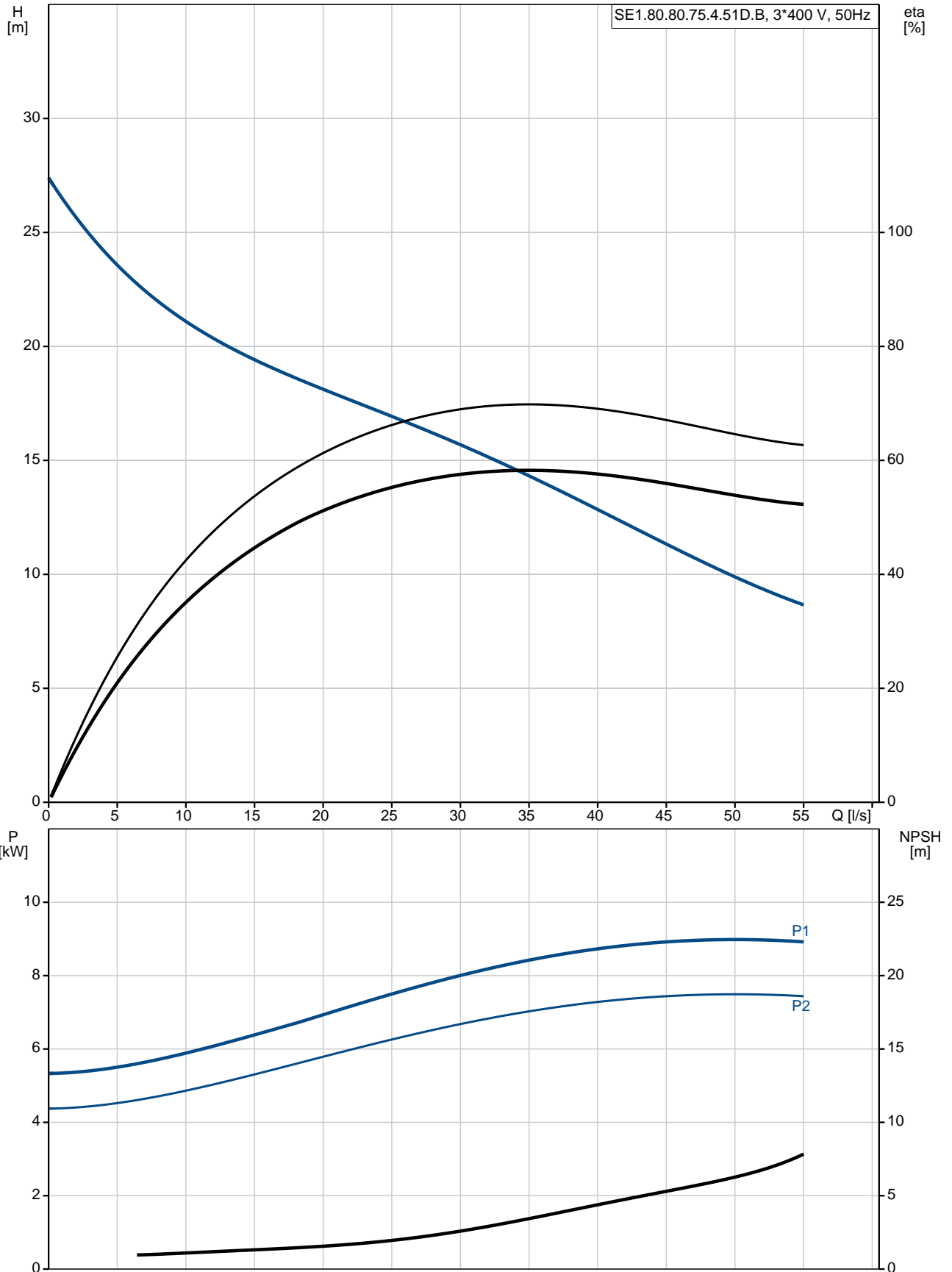
Maximum operating pressure: 6 bar  
 Flange standard: DIN  
 Pump outlet: DN 80  
 Pressure rating: PN 10  
 Maximum installation depth: 20 m

**Electrical data:**

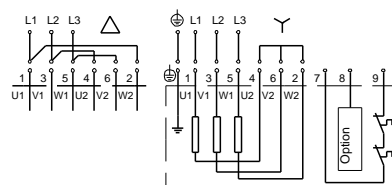
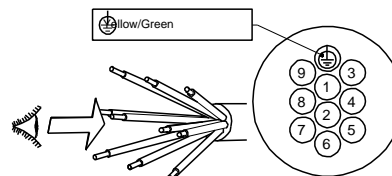
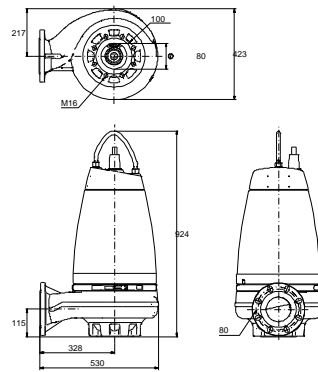
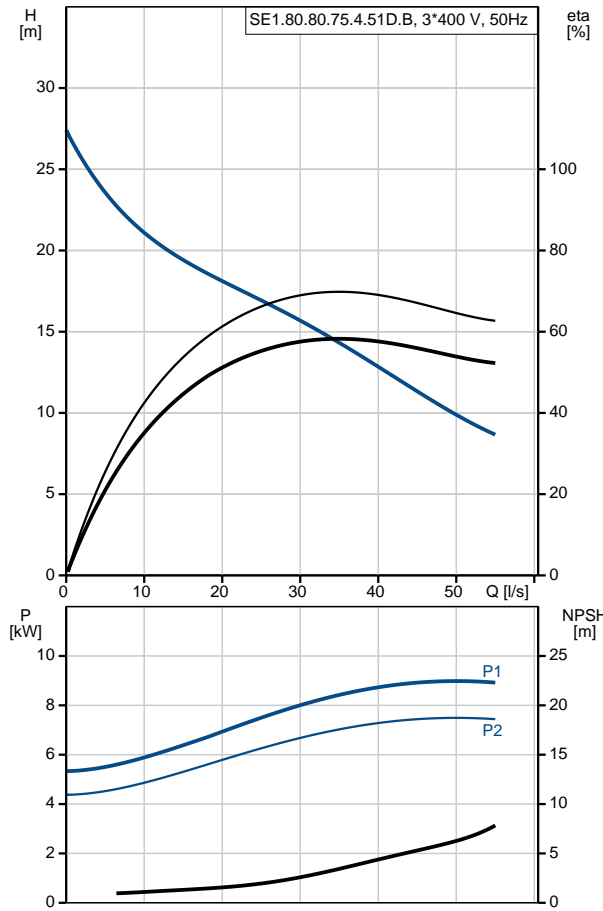
Power input - P1: 9 kW  
 Rated power - P2: 7.5 kW  
 Mains frequency: 50 Hz  
 Rated voltage: 3 x 380-415 V  
 Voltage tolerance: +6/-10 %  
 Max starts per. hour: 20

| Qty. | Description                                 |
|------|---|
|      | Rated current: 17.7-17.5 A                  |
|      | Rated current at 3/4 load: 13.4 A           |
|      | Rated current at 1/2 load: 10.9 A           |
|      | Starting current: 107 A                     |
|      | Rated current at no load: 7.4 A             |
|      | Cos phi - power factor: 0.79                |
|      | Cos phi - p.f. at no load: 0.12             |
|      | Cos phi - p.f. at 3/4 load: 0.72            |
|      | Cos phi - p.f. at 1/2 load: 0.61            |
|      | Rated speed: 1455 rpm                       |
|      | Locked-rotor torque: 91 Nm                  |
|      | Breakdown torque: 141 Nm                    |
|      | Moment of inertia: 0.2319 kg m <sup>2</sup> |
|      | Motor efficiency at full load: 83.4 %       |
|      | Motor efficiency at 3/4 load: 83.5 %        |
|      | Motor efficiency at 1/2 load: 81.3 %        |
|      | Number of poles: 4                          |
|      | Start. method: star/delta                   |
|      | Enclosure class (IEC 34-5): IP68            |
|      | Insulation class (IEC 85): F                |
|      | Explosion proof: no                         |
|      | Length of cable: 10 m                       |
|      | Cable type: LYNIFLEX                        |
|      | Type of cable plug: NO PLUG                 |
|      | <b>Others:</b>                              |
|      | Net weight: 217 kg                          |
|      | Country of origin: HU                       |
|      | Custom tariff no.: 84137021                 |

## 96047627 SE1.80.80.75.4.51D.B 50 Hz



| Description                    | Value                    |
|--------------------------------|--------------------------|
| <b>General information:</b>    |                          |
| Product name:                  | SE1.80.80.75.4.51D.B     |
| Product No:                    | 96047627                 |
| EAN number:                    | 5700395053708            |
|                                | 5700395053708            |
| Price:                         | 5.113,00 GBP             |
| <b>Technical:</b>              |                          |
| Max flow:                      | 55 l/s                   |
| Head max:                      | 27.4 m                   |
| Type of impeller:              | S-TUBE                   |
| Maximum particle size:         | 80 mm                    |
| Primary shaft seal:            | SIC/SIC                  |
| Secondary shaft seal:          | CARBON/CERAMICS          |
| Max. hydraulic efficiency:     | 71 %                     |
| Approvals on nameplate:        | EN12050-1                |
| Curve tolerance:               | ISO9906:2012 3B2         |
| Cooling jacket:                | with cooling jacket      |
| <b>Materials:</b>              |                          |
| Pump housing:                  | EN 1561 EN-GJL-250       |
| Impeller:                      | Cast iron                |
| <b>Installation:</b>           |                          |
| Maximum operating pressure:    | 6 bar                    |
| Flange standard:               | DIN                      |
| Pump outlet:                   | DN 80                    |
| Pressure rating:               | PN 10                    |
| Maximum installation depth:    | 20 m                     |
| Inst dry/wet:                  | DRY/SUBMERGED            |
| Installation:                  | horizontal or vertical   |
| <b>Liquid:</b>                 |                          |
| Liquid temperature range:      | 0 .. 40 °C               |
| Density:                       | 998.2 kg/m <sup>3</sup>  |
| <b>Electrical data:</b>        |                          |
| Power input - P1:              | 9 kW                     |
| Rated power - P2:              | 7.5 kW                   |
| Mains frequency:               | 50 Hz                    |
| Rated voltage:                 | 3 x 380-415 V            |
| Voltage tolerance:             | +6/-10 %                 |
| Max starts per. hour:          | 20                       |
| Rated current:                 | 17.7-17.5 A              |
| Rated current at 3/4 load:     | 13.4 A                   |
| Rated current at 1/2 load:     | 10.9 A                   |
| Starting current:              | 107 A                    |
| Rated current at no load:      | 7.4 A                    |
| Cos phi - power factor:        | 0.79                     |
| Cos phi - p.f. at no load:     | 0.12                     |
| Cos phi - p.f. at 3/4 load:    | 0.72                     |
| Cos phi - p.f. at 1/2 load:    | 0.61                     |
| Rated speed:                   | 1455 rpm                 |
| Locked-rotor torque:           | 91 Nm                    |
| Breakdown torque:              | 141 Nm                   |
| Moment of inertia:             | 0.2319 kg m <sup>2</sup> |
| Motor efficiency at full load: | 83.4 %                   |
| Motor efficiency at 3/4 load:  | 83.5 %                   |
| Motor efficiency at 1/2 load:  | 81.3 %                   |
| Number of poles:               | 4                        |
| Start. method:                 | star/delta               |
| Enclosure class (IEC 34-5):    | IP68                     |
| Insulation class (IEC 85):     | F                        |





Company name:

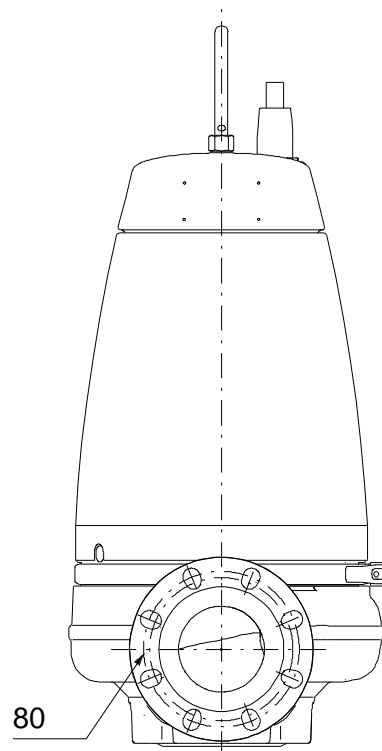
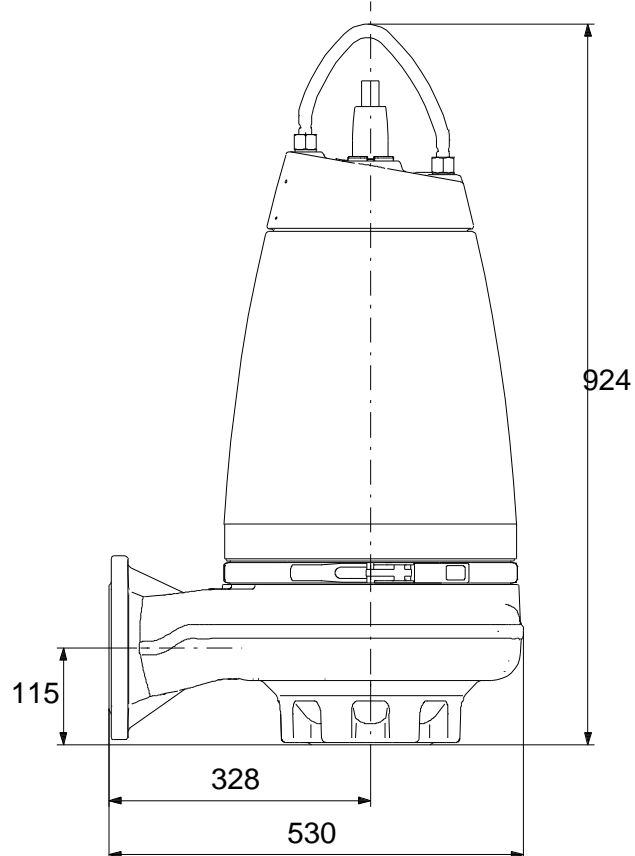
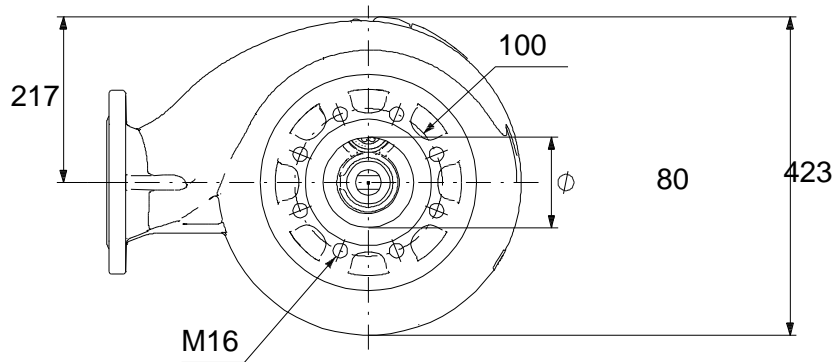
Created by:

Phone:

Date: 21/01/2020

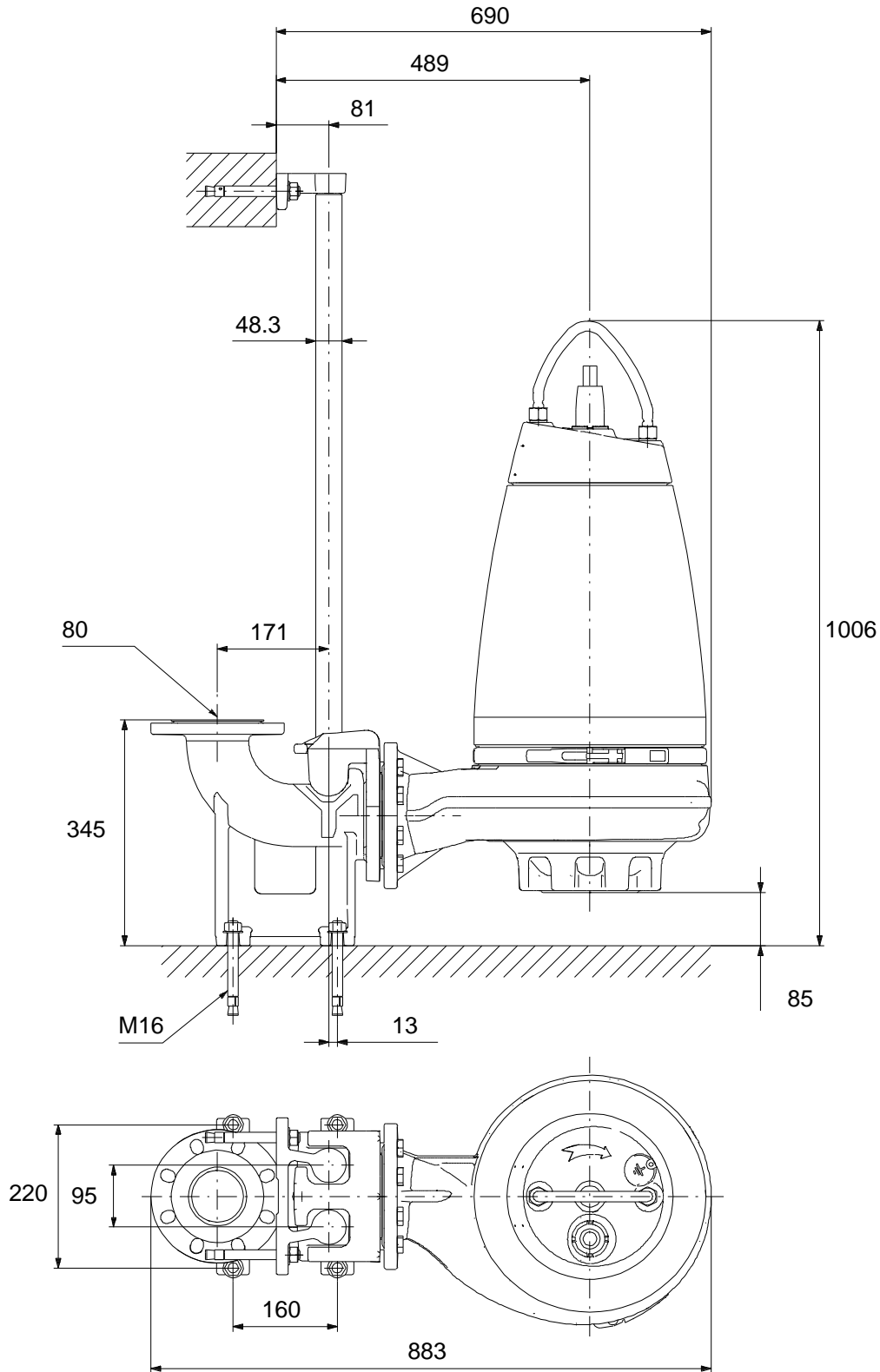
| Description          | Value                       |
|----------------------|-----------------------------|
| Explosion proof:     | no                          |
| Motor protec:        | THERMAL SWITCH              |
| Thermal protec:      | internal                    |
| Length of cable:     | 10 m                        |
| Cable type:          | LYNIFLEX                    |
| Type of cable plug:  | NO PLUG                     |
| <b>Controls:</b>     |                             |
| Control box:         | not included                |
| Moisture sensor:     | without moisture sensors    |
| Water-in-oil sensor: | without water-in-oil sensor |
| Temp. sensor:        | N                           |
| <b>Others:</b>       |                             |
| Net weight:          | 217 kg                      |
| Country of origin:   | HU                          |
| Custom tariff no.:   | 84137021                    |

## 96047627 SE1.80.80.75.4.51D.B 50 Hz



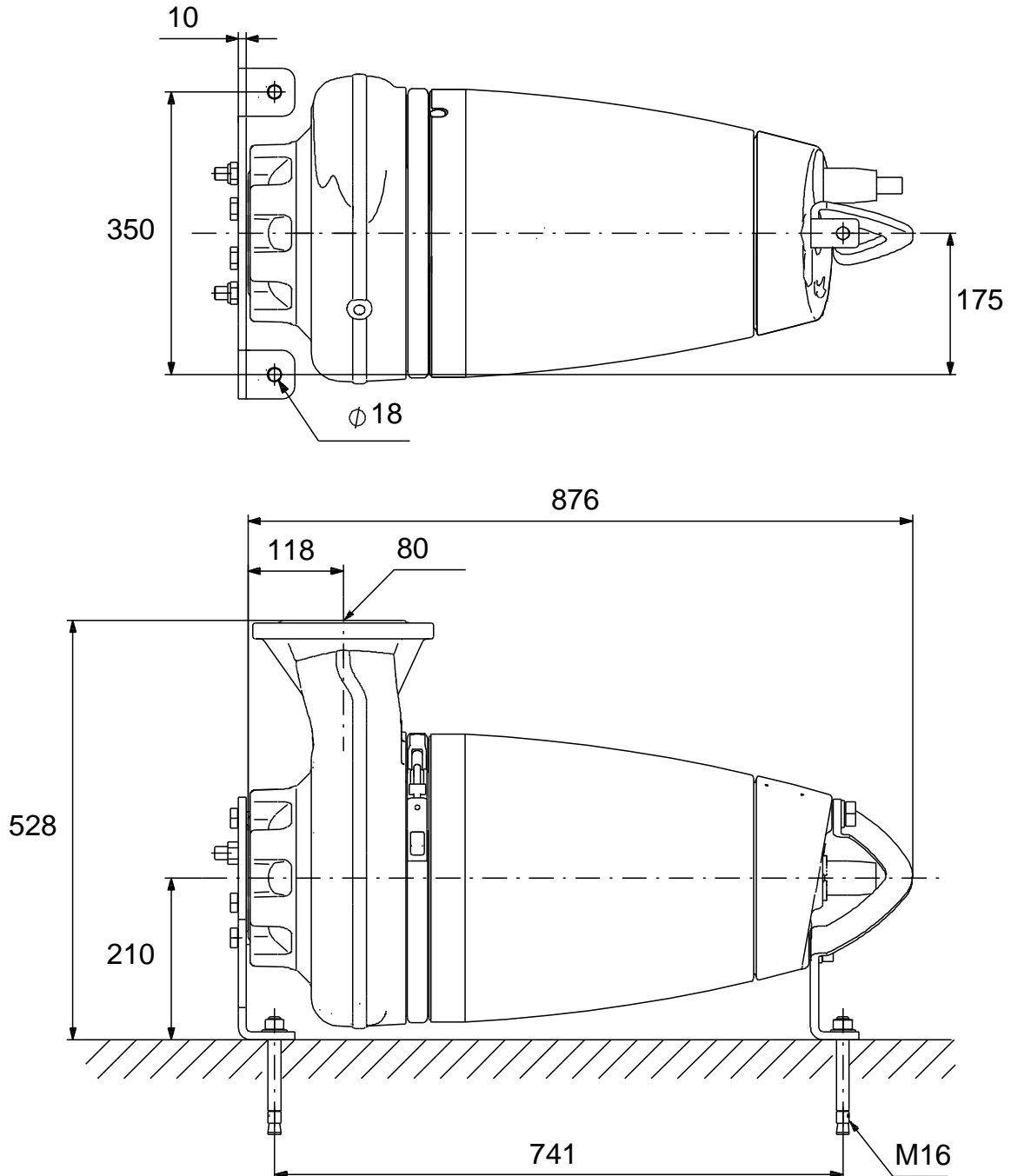
Note! All units are in [mm] unless others are stated.  
Disclaimer: This simplified dimensional drawing does not show all details.

## 96047627 SE1.80.80.75.4.51D.B 50 Hz



Note! All units are in [mm] unless others are stated.  
Disclaimer: This simplified dimensional drawing does not show all details.

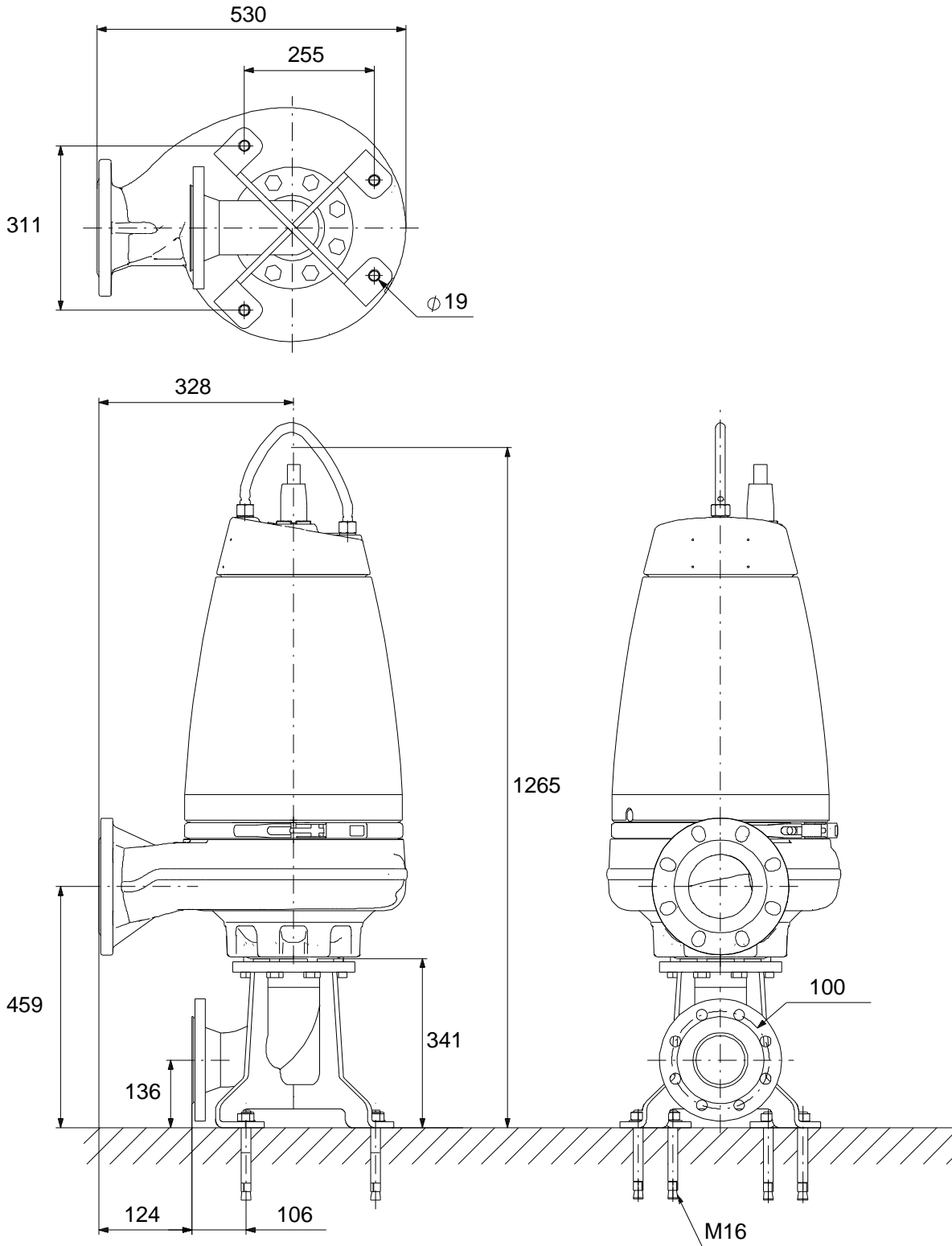
## 96047627 SE1.80.80.75.4.51D.B 50 Hz



Note! All units are in [mm] unless others are stated.  
Disclaimer: This simplified dimensional drawing does not show all details.

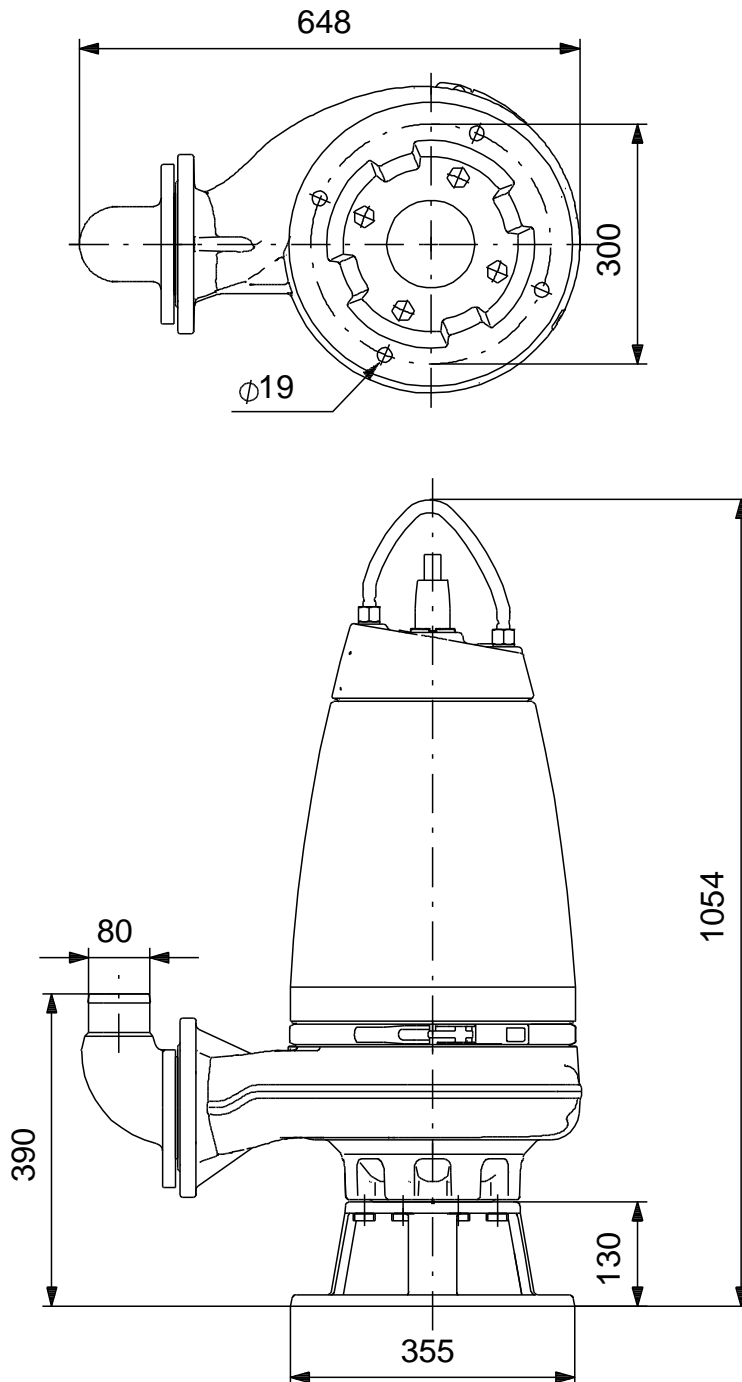


## 96047627 SE1.80.80.75.4.51D.B 50 Hz



Note! All units are in [mm] unless others are stated.  
Disclaimer: This simplified dimensional drawing does not show all details.

## 96047627 SE1.80.80.75.4.51D.B 50 Hz



Note! All units are in [mm] unless others are stated.  
Disclaimer: This simplified dimensional drawing does not show all details.