

**Qty. Description**

1 SPK 1-15/15 A-W-A-AUUV



Note! Product picture may differ from actual product

Product No.: [39AH0515](#)

Multistage, immersible, self-priming, centrifugal pump for vertical and horizontal installation in tanks etc.

The pump has the following characteristics:

- Installation length according to DIN 5440.
- Impellers, intermediate chambers and spline shaft are made of stainless steel and motor stool of GG 20.
- Mechanical shaft seal according to EN 12756.
- Power transmission via cast iron split coupling.

The motor is a 3-phase AC motor.

Immersion depth: 434 mm

**Liquid:**

Pumped liquid: Water  
Liquid temperature range: -10 .. 90 °C  
Selected liquid temperature: 20 °C  
Density at selected liquid temperature: 998.2 kg/m<sup>3</sup>

**Technical:**

Pump speed on which pump data are based: 2873 rpm  
Rated flow: 1 m<sup>3</sup>/h  
Rated head: 35.7 m  
Primary shaft seal: AUUV  
Curve tolerance: ISO9906:2012 3B  
Drain holes: Open drain hole

**Materials:**

Pump head: Cast iron  
EN-GJL-200  
ASTM 25B  
Impeller: Stainless steel  
DIN W.-Nr. 1.4301  
AISI 304

**Installation:**

Maximum ambient temperature: 40 °C  
Pipe connection: G 3/4  
Flange size for motor: FT85

**Electrical data:**

Motor type: 71A  
IE Efficiency class: IE3



Company name:

Created by:

Phone:

Date:

15/10/2019

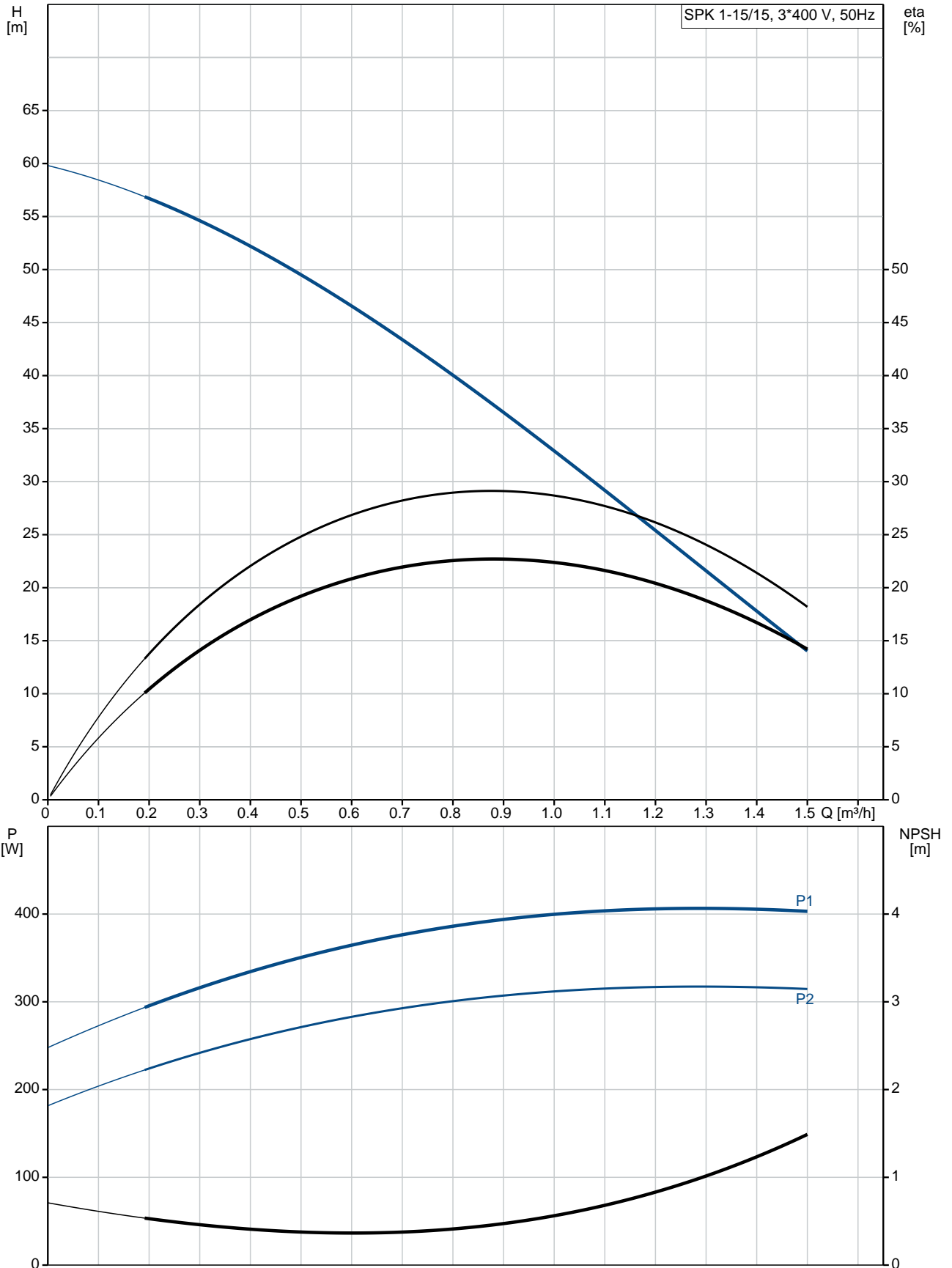
**Qty. Description**

Rated power - P2: 0.37 kW  
Power (P2) required by pump: 0.37 kW  
Mains frequency: 50 Hz  
Rated voltage: 3 x 220-240D/380-415Y V  
Rated current: 1.74/1.00 A  
Starting current: 490-530 %  
Cos phi - power factor: 0.80-0.70  
Rated speed: 2850-2880 rpm  
Efficiency: IE3 73,8%  
Motor efficiency at full load: 73.8 %  
Motor efficiency at 3/4 load: 79.0 %  
Motor efficiency at 1/2 load: 75.5 %  
Number of poles: 2  
Enclosure class (IEC 34-5): 55 Dust/Jetting  
Insulation class (IEC 85): F  
Motor No: 85805102

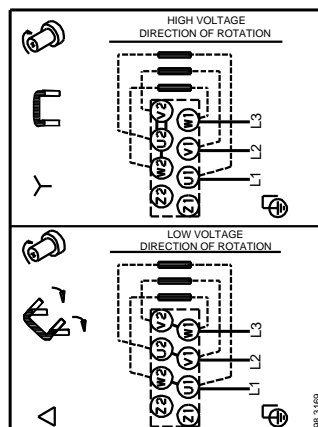
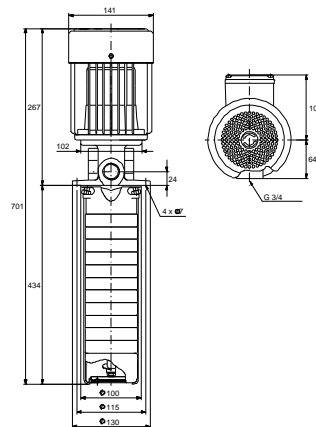
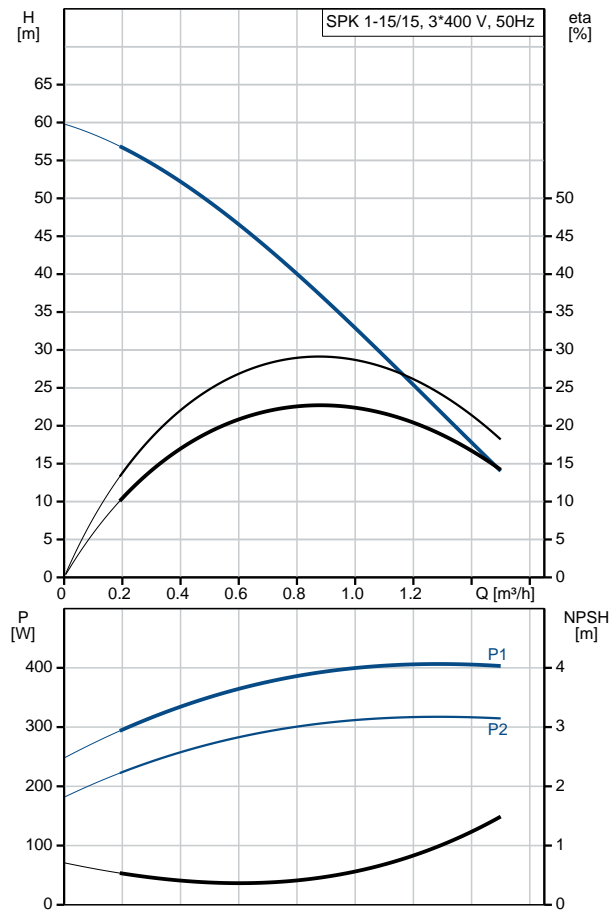
**Others:**

Minimum efficiency index, MEI : N/A  
Net weight: 14 kg  
Gross weight: 15.3 kg  
Country of origin: HU  
Custom tariff no.: 84137075

## 39AH0515 SPK 1-15/15 A-W-A-AUUV 50 Hz



| Description                              | Value                      |
|--|----------------------------|
| <b>General information:</b>              |                            |
| Product name:                            | SPK 1-15/15<br>A-W-A-AUUV  |
| Product No:                              | 39AH0515                   |
| EAN number:                              | 5708601062414              |
| Price:                                   | 5708601062414              |
| Price:                                   | 897,00 GBP                 |
| <b>Technical:</b>                        |                            |
| Pump speed on which pump data are based: | 2873 rpm                   |
| Rated flow:                              | 1 m <sup>3</sup> /h        |
| Rated head:                              | 35.7 m                     |
| Stages:                                  | 15                         |
| Impellers:                               | 15                         |
| Primary shaft seal:                      | AUUV                       |
| Curve tolerance:                         | ISO9906:2012 3B            |
| Pump version:                            | A                          |
| Model:                                   | E                          |
| Drain holes:                             | Open drain hole            |
| <b>Materials:</b>                        |                            |
| Pump head:                               | Cast iron                  |
|  | EN-GJL-200                 |
|  | ASTM 25B                   |
| Impeller:                                | Stainless steel            |
|  | DIN W.-Nr. 1.4301          |
|  | AISI 304                   |
| Material code:                           | A                          |
| <b>Installation:</b>                     |                            |
| Maximum ambient temperature:             | 40 °C                      |
| Pipe connection:                         | G 3/4                      |
| Flange size for motor:                   | FT85                       |
| Connect code:                            | W                          |
| <b>Liquid:</b>                           |                            |
| Pumped liquid:                           | Water                      |
| Liquid temperature range:                | -10 .. 90 °C               |
| Selected liquid temperature:             | 20 °C                      |
| Density at selected liquid temperature:  | 998.2 kg/m <sup>3</sup>    |
| <b>Electrical data:</b>                  |                            |
| Motor type:                              | 71A                        |
| IE Efficiency class:                     | IE3                        |
| Rated power - P2:                        | 0.37 kW                    |
| Power (P2) required by pump:             | 0.37 kW                    |
| Mains frequency:                         | 50 Hz                      |
| Rated voltage:                           | 3 x 220-240D/380-415Y<br>V |
| Rated current:                           | 1.74/1.00 A                |
| Starting current:                        | 490-530 %                  |
| Cos phi - power factor:                  | 0.80-0.70                  |
| Rated speed:                             | 2850-2880 rpm              |
| Efficiency:                              | IE3 73,8%                  |
| Motor efficiency at full load:           | 73.8 %                     |
| Motor efficiency at 3/4 load:            | 79.0 %                     |
| Motor efficiency at 1/2 load:            | 75.5 %                     |
| Number of poles:                         | 2                          |
| Enclosure class (IEC 34-5):              | 55 Dust/Jetting            |
| Insulation class (IEC 85):               | F                          |
| Motor protec:                            | NONE                       |
| Motor No:                                | 85805102                   |
| <b>Others:</b>                           |                            |





**Company name:**

**Created by:**

**Phone:**

**Date:**

15/10/2019

| Description                     | Value    |
|---------------------------------|----------|
| Minimum efficiency index, MEI : | N/A      |
| Net weight:                     | 14 kg    |
| Gross weight:                   | 15.3 kg  |
| Country of origin:              | HU       |
| Custom tariff no.:              | 84137075 |