

Hydraulic data

| | |
|---|----------------------|
| Maximum operating pressure <i>PN</i> | 10 bar |
| Max. delivery head <i>H</i> | 10.20 m |
| Max. volume flow <i>Q</i> | 29 m ³ /h |
| Min. fluid temperature for HVAC applications <i>T_{min}</i> | -20 °C |
| Max. fluid temperature for HVAC <i>T</i> | 110 °C |
| Min. ambient temperature <i>T_{min}</i> | 0 °C |
| Max. ambient temperature <i>T_{max}</i> | 40 °C |
| Max. permitted total water hardness | 3.57 mmol/l (20°dH) |

Materials

| | |
|--------------|-------------------------------------|
| Pump housing | Bronze |
| Impeller | PPS-GF40 |
| Shaft | Stainless steel |
| Bearing | Carbon, synthetic resin-impregnated |

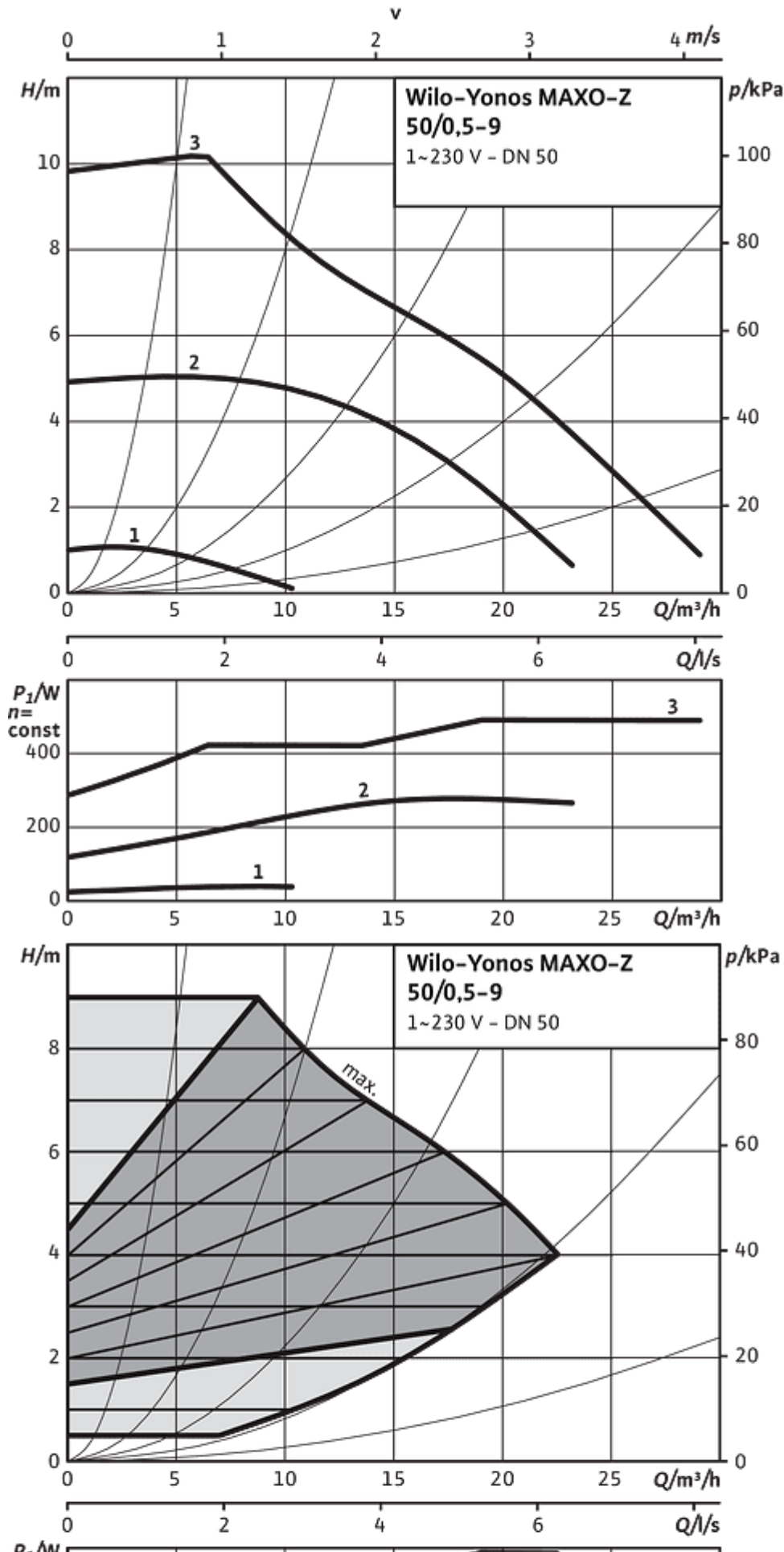
Motor data

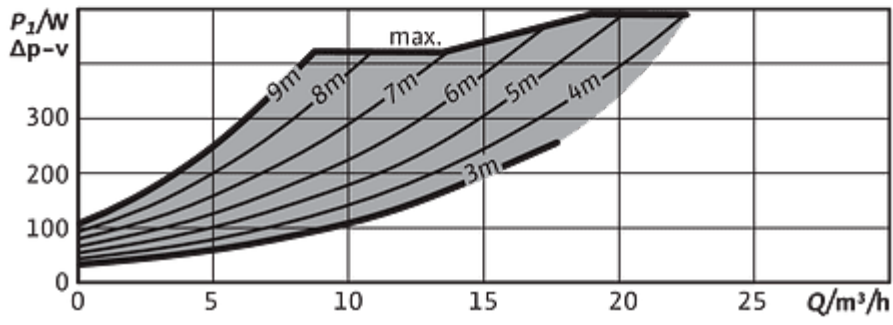
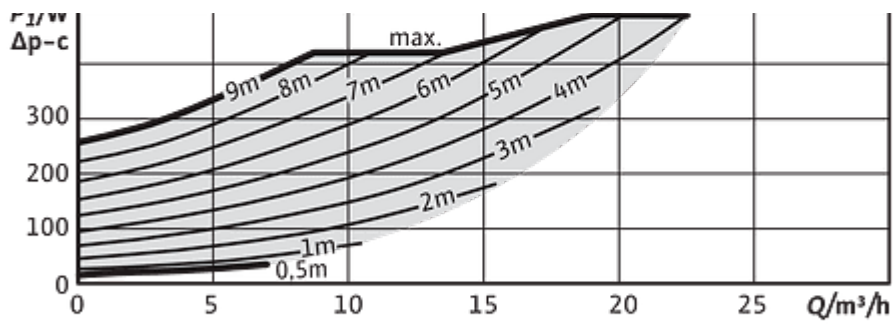
| | |
|--|--|
| Energy efficiency index (EEI) | 0.20 |
| Mains connection | 1~230 V, 50/60 Hz |
| Rated power <i>P₂</i> | 0.40 kW |
| Rated current <i>I_N</i> | 2.15 A |
| Min. speed <i>n_{min}</i> | 950 1/min |
| Max. speed <i>n_{max}</i> | 4100 1/min |
| Power consumption <i>P_{1 min}</i> | 15.0 W |
| Power consumption <i>P_{1 max}</i> | 490.0 W |
| Interference emission | EN 61800-3;2004+A1;2012 /residential area (C1) |
| Interference immunity | EN 61800-3;2004+A1;2012 /industrial environment (C2) |
| Speed control | Frequency converter |
| Insulation class | F |
| Protection class motor | IPX4D |
| Motor protection | Internal protection overheating and overcurrent |

Installation dimensions

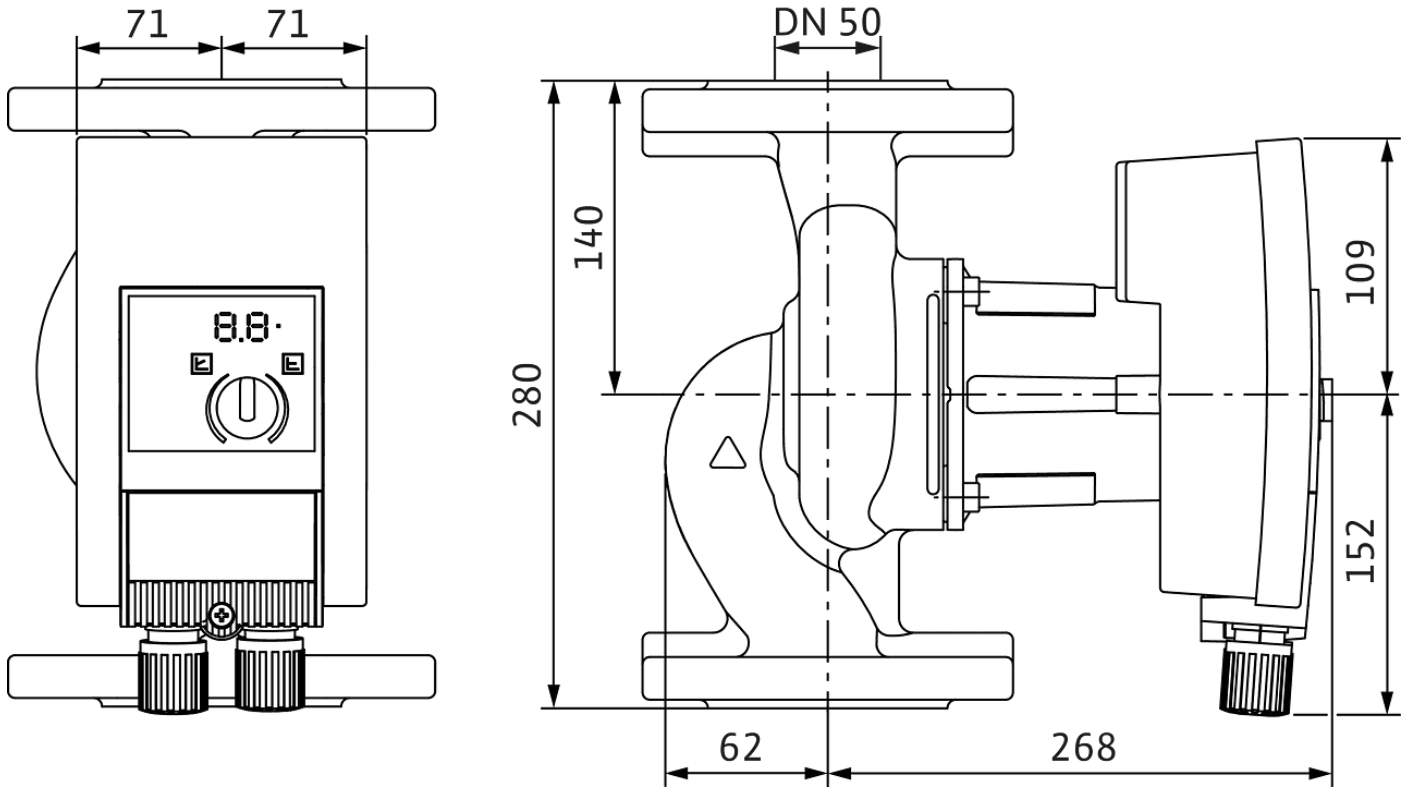
| | |
|--|--------|
| Pipe connection on the suction side <i>DN_s</i> | DN 50 |
| Pipe connection on the pressure side <i>DN_d</i> | DN 50 |
| Port-to-port length <i>L₀</i> | 280 mm |

Yonos MAXO-Z 50/0,5-9

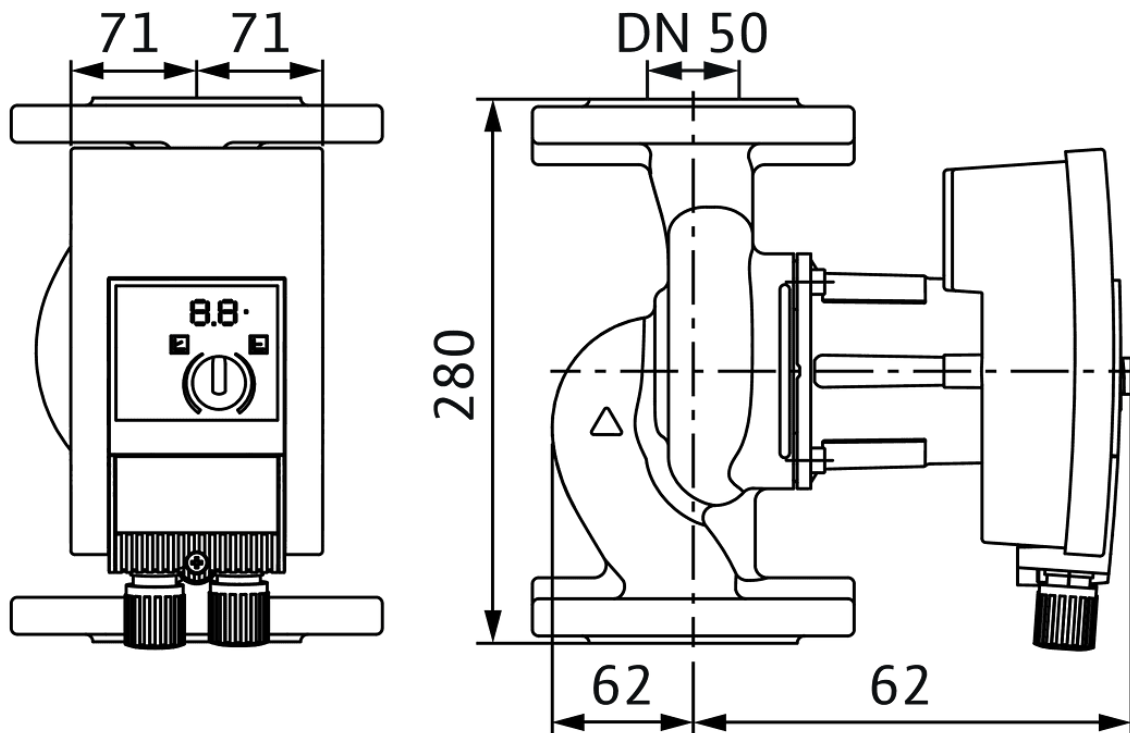




Yonos MAXO

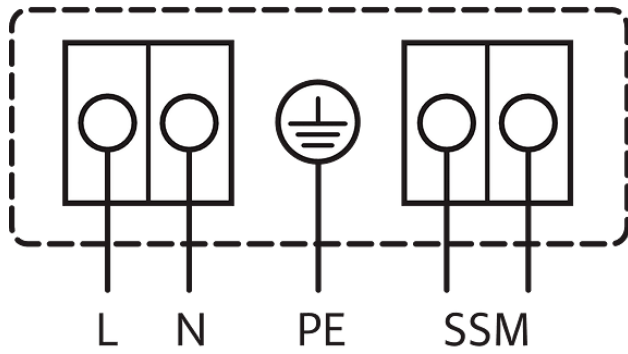


Yonos MAXO-Z 50/0,5-9 PN 6/10

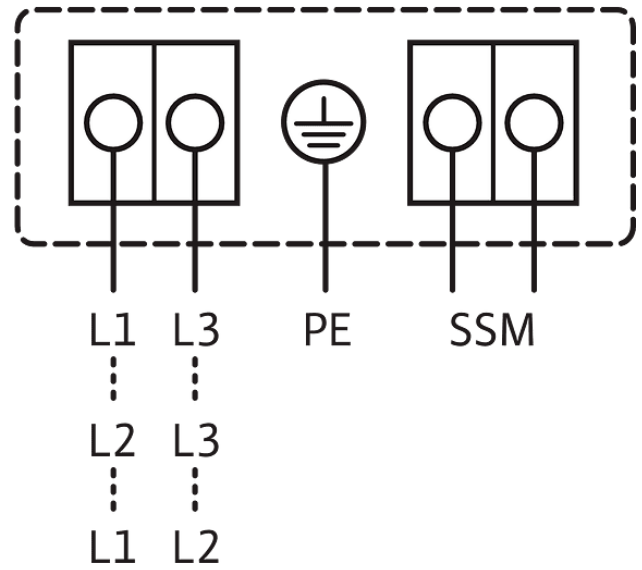


1~230V, 50/60 Hz

1~ 230 V, 50/60 Hz



3~230 V, 50/60 Hz



SSM: Collective fault signal
(NC contact in accordance with VDI 3814, load capacity 1 A, 250 V ~)

Standard: 1~230 V, 50/60 Hz

Option: 3~230 V, 50/60 Hz

Product data

| | |
|----------------------------|-------------------------------|
| Brand | Wilo |
| Product description | Yonos MAXO-Z 50/0,5-9 PN 6/10 |
| Article number | 2175544 |
| EAN number | 4048482739816 |
| Colour | green/bronze |
| Minimum order quantity | 1 |
| Date of sales availability | 2017-03-01 |

Dimension, weight

| | |
|--------------------------------|---------|
| Length with packaging | 600 mm |
| Length <i>L</i> | 292 mm |
| Height with packaging | 400 mm |
| Height <i>H</i> | 351 mm |
| Width with packaging | 394 mm |
| Width <i>W</i> | 165 mm |
| Gross weight, approx. <i>m</i> | 19.8 kg |
| Net weight, approx. <i>m</i> | 18 kg |

Packaging

| | |
|--------------------|---------------------|
| Number per layer | 9 |
| Packaging property | Transport packaging |
| Packaging type | Cardboard box |
| Pieces per pallet | 36 |

High-efficiency pump Wilo-Yonos MAXO-Z

electronically controlled,

Glandless circulator, synchronous motor according to ECM technology and integrated power control for continuous differential pressure control. Can be used for all domestic hot water circulation systems in industry and building services.

Standard-equipped with:

- > Preselectable control modes for optimum load adjustment: Δp -c (constant differential pressure), Δp -v (variable differential pressure)
- > 3 speed stages (n = constant)
- > LED for setting the setpoint and displaying error messages
- > Electrical connection with the Wilo plug
- > Fault signal light and contact for collective fault signal

For flange-end pumps - flange versions:

- > Standard version for DN 32 to DN 65 pumps: Combination flange PN 6/10 (flange PN 16 in accordance with EN 1092-2) for counter flanges PN 6 and PN 10

Operating data

| | |
|-------------------------------------|---------------------|
| Fluid media | Water |
| Fluid temperature T | -20 °C |
| Ambient temperature T | 0 °C |
| Maximum operating pressure PN | 10 bar |
| Minimum suction head at 50 °C m | 3.0 m |
| Minimum suction head at 95 °C m | 10.0 m |
| Minimum suction head at 110 °C | 16.0 m |
| Max. permitted total water hardness | 3.57 mmol/l (20°dH) |

Motor data

| | |
|-------------------------------|--|
| Energy efficiency index (EEI) | 0.20 |
| Interference emission | EN 61800-3;2004+A1;2012 /residential area (C1) |
| Interference immunity | EN 61800-3;2004+A1;2012 /industrial environment (C2) |
| Mains connection | 1~230 V, 50/60 Hz |
| Power consumption $P_{1\max}$ | 490.0 W |
| Min. speed n_{\min} | 950 1/min |
| Max. speed n_{\max} | 4100 1/min |
| Protection class motor | IPX4D |
| Threaded cable connection | 2 x M20x1.5 |

Materials

| | |
|--------------|-------------------------------------|
| Pump housing | Bronze |
| Impeller | PPS-GF40 |
| Shaft | Stainless steel |
| Bearing | Carbon, synthetic resin-impregnated |

Installation dimensions

| | |
|---|--------|
| Pipe connection on the suction side DN_s | DN 50 |
| Pipe connection on the pressure side DN_d | DN 50 |
| Port-to-port length LO | 280 mm |

Information for order placements

| | |
|-------------------------------------|----------------------------------|
| Brand | Wilo |
| Product description | Yonos MAXO-Z 50/0,5-9 PN 6/10 |
| Net weight, approx. <i>m</i> | 18 kg |
| Article number | 2175544 |