

## LNEEE32-160/15/EP02CS4

### Technical data

Company name  
Contact  
Phone number  
e-mail address

#### Operating data

Pump type	Single head pump	Fluid	Water, pure
No. of pumps / Reserve	1 / 0	Operating temperature t A	°C 4
Nominal flow	m <sup>3</sup> /h 0	pH-value at t A	7
Nominal head	m 0	Density at t A	kg/m <sup>3</sup> 1000
Static head	m 0	Kin. viscosity at t A	mm <sup>2</sup> /s 1.569
Inlet pressure	kPa 0	Vapor pressure at t A	kPa 100
Environmental temperature	°C 20	Solids	0
Available system NPSH	m 0	Altitude	m 0

#### Pump data

Make	Lowara	Nominal	m <sup>3</sup> /h ( )
Speed	rpm 2900	Flow	Max- m <sup>3</sup> /h 22
Number of stages	1	Min-	m <sup>3</sup> /h
Max. casing pressure	kPa	Nominal	m
Max. working pressure	kPa 338.3	Head	at Qmax m 11
Head H(Q=0)	m 34	at Qmin	m 34.5
Weight	kg 25	Shaft power	kW ( )
	Max. mm	Max. shaft power	kW
Impeller R	designed mm	Efficiency (Hydraulic+Motor+Drive)	%
	Min. mm	NPSH 3%	m

#### Pump Materials

Volute Casing	Cast iron
Casing Cover	Cast iron
Impeller	Stainless steel / AISI 304
Stub shaft	Stainless steel / AISI 316L
Wear Ring	Stainless steel / AISI 304
Impeller lock nut and washer	Stainless steel / AISI 304
Impeller key	Stainless steel / AISI 316L
Fill and drain plugs	Nickel-plated brass

#### Shaft Seal

Unbalanced mechanical seal	Burgmann
eMG12 (-25 / +90 °C)	
1. Rotating ring	Carbon graphite resin impregnated
2. Stationary ring	SiC, silicon carbide, sintered press.less
3. Secondary seal	Ethylene propylene rubber (EPDM)
4. Springs	CrNiMo - Steel
5. Others	EPDM - WRAS
Gaskets of the pump	Ethylene propylene rubber (EPDM)
Code	B/ESIC-Q7EGG/Y 10-WA

#### Motor data

Manufacturer	Lowara	Electric voltage	220 V	Speed	2900 rpm	Insulation class	F
Specific design	Single phase e-SM motor			Frame size	90R	Colour	RAL 5010
Type	ESM90R../115 LNEE	Electric current	7.32 A				
Rated power	1.5 kW	Degree of protection	IP 55				

#### Remarks:

# LNEEE32-160/15/EP02CS4

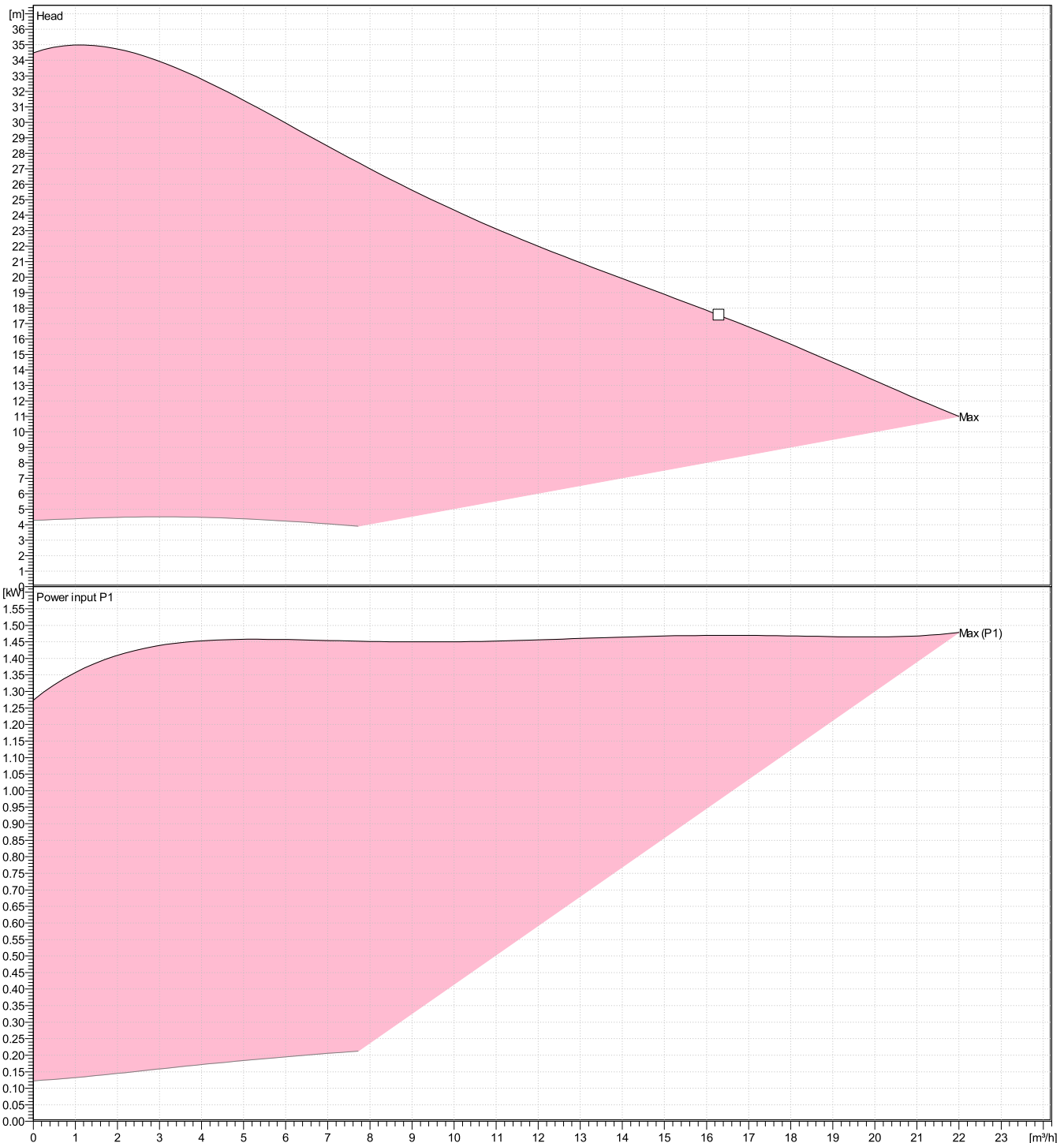
## Performance curve

Company name  
Contact  
Phone number  
e-mail address

### Hydraulic data

Operating Data Specification		Hydraulic data (duty point)		Impeller design	
Flow	0 m <sup>3</sup> /h	Flow		Impeller R	0 mm
Head	0 m	Head		Frequency	50 Hz
Static head	0 m			Speed	2900 rpm

Power datas referred to:  
Water, pure [100%] ; 4°C; 1000kg/m<sup>3</sup>; 1.57mm<sup>2</sup>/s  
Performance according to ISO 9906:2012 – Grade 3B



**LNEEE32-160/15/EP02CS4**

**Dimensions**

Company name  
Contact  
Phone number  
e-mail address

**Dimensions** mm/l

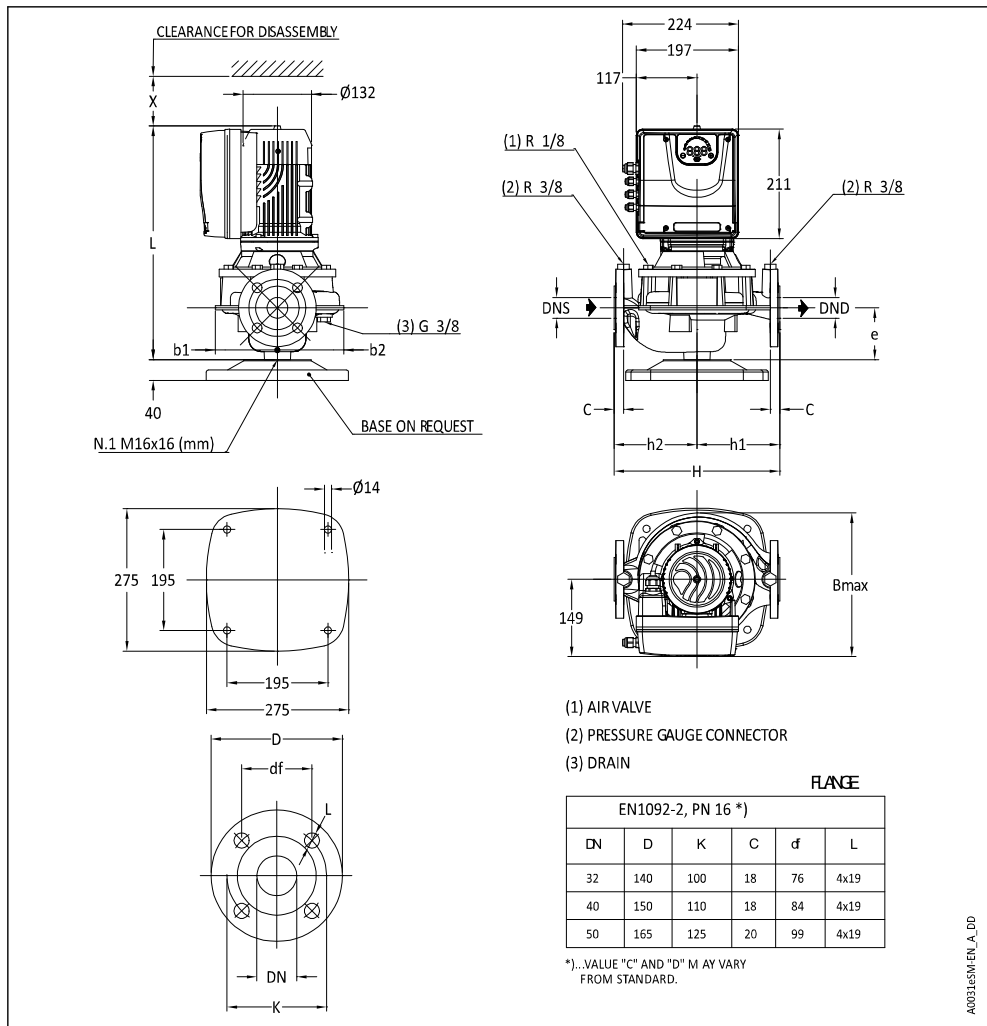
b1	123		
b2	121		
Bmax	270		
DND	32		
DNS	32		
e	90		
H	320		
h1	160		
h2	160		
L	432		
x	260		
		Total weight	25 kg

**Connections** mm

Suction nozzle      Discharge nozzle

--	--	--	--

**Drawing**



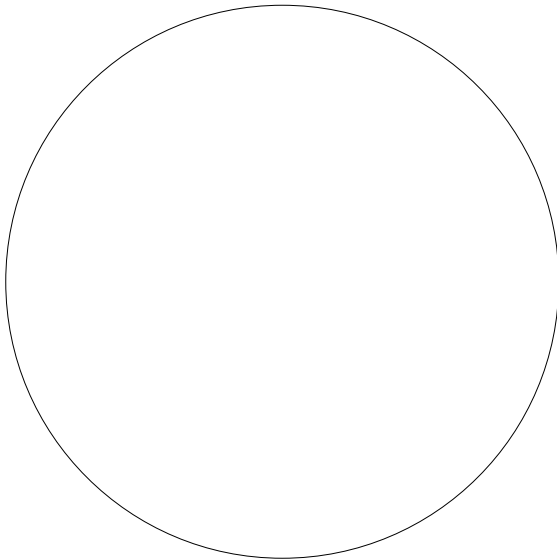
LNEEE40-125/11/EPOM

A0031usM-EN\_A\_DD

**LNEEE32-160/15/EP02CS4**

Total lifetime	15	Inflation rate (rate of price increases)	2 %
Annual operating time	5600	Interest rate (for investment)	3 %
Energy cost per kWh	0.00 GBP		
Power input P1			

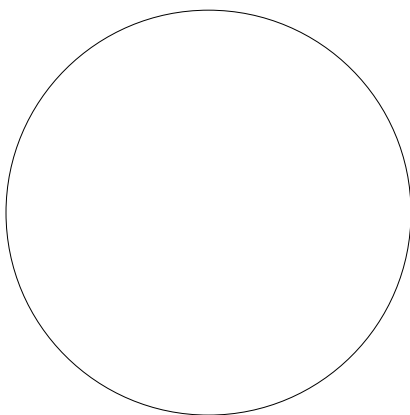
**Total costs**



- 0%** **0.00 GBP** Energy
- 0%** **0.00 GBP** Investment costs
- 0%** **0.00 GBP** Installation & commissioning
- 0%** **0.00 GBP** Operating cost
- 0%** **0.00 GBP** Maintenance & repair
- 0%** **0.00 GBP** Downtime
- 0%** **0.00 GBP** Environmental
- 0%** **0.00 GBP** Decommissioning

**GBP**

**First year costs**



- 0%** **0.00 GBP** Energy (1st year)
- 0%** **0.00 GBP** Investment costs (1st year)
- 0%** **0.00 GBP** Installation & commissioning (1st year)
- 0%** **0.00 GBP** Operating cost (1st year)
- 0%** **0.00 GBP** Maintenance & repair (1st year)
- 0%** **0.00 GBP** Downtime (1st year)
- 0%** **0.00 GBP** Environmental (1st year)
- 0%** **0.00 GBP** Decommissioning (1st year)

**GBP**

*Disclaimer: The calculations and the results are based on user input values and general assumptions and provide only estimated*

<b>Project Block</b>	LNEEE32-160/15/EP02CS4	<b>Created by</b>		<b>Last update</b>	9/29/2021
		<b>Created on</b>	9/29/2021		