

Customer	Date	12/8/2020
Contact	Project	
Phone number	Project no.	
Email		

## ESHE 65-160/11/P45RSNA

101863570

### Operating data

Pump type	Single head pump	Fluid	Water, pure
No. of pumps / Reserve	1 / 0	Operating temperature t A	°C 4
Nominal flow	l/s 0	pH-value at t A	7
Nominal head	m 0	Density at t A	kg/m <sup>3</sup> 1000
Static head	m 0	Kin. viscosity at t A	mm <sup>2</sup> /s 1.569
Inlet pressure	kPa 0	Vapor pressure at t A	kPa 100
Environmental temperature	°C 20	Solids	0
Available system NPSH	m 0	Altitude	m 0

### Pump data

Make	Lowara	Nominal	l/s ( )
Speed	rpm 1450	Flow Max-	l/s 17.5
Number of stages	1	Min-	l/s 6
Max. casing pressure	kPa	Nominal	m
Max. working pressure	kPa 85.5	Head at Qmax	m 3.4
Head H(Q=0)	m 8.7	at Qmin	m 8.2
Weight	kg	Shaft power	kW ( )
Impeller R	Max. mm 176	Max. shaft power	kW 1
	designed mm 164	Efficiency	%
	Min. mm 127	NPSH 3%	m
Suction nozzle	DN 80 PN 12 EN1092-2 (e-SH)	Discharge nozzle	DN 65 PN 12 EN1092-2 (e-SH)

### Pump Materials

Pump body	Stainless steel / AISI 316L
Impeller	Stainless steel / ASTM CF8M
SEAL HOUSING	Stainless steel / AISI 316L
Wear Ring	Stainless steel / AISI 316L
Counterwear ring	Stainless steel / AISI 316L
Shaft extension	Stainless steel / AISI 316L
Rigid shaft coupling	Stainless steel / AISI 316
Impeller locknut and washer	Stainless steel / AISI 316
Tab	Stainless steel / AISI 316L

### Shaft Seal

Single Seal	
e-SH - uniten	Roten
Rotating Assembly	V-Ceramic
Fixed Assembly	B-Resin impregnated carbon
Elastomers	V-FKM (FPM)
Springs	G-AISI 316
Other Components	G-AISI 316

### Motor data

Manufacturer	Lowara	Electric voltage	400 V
Specific design	IE3 Three phase surface motor		
Type	PLM490.../311 E3		
Rated power	1.1 kW	Electric current	2.65 A
Speed	1440 rpm	Degree of protection	IP 55
Frame size	90	Weight	19 kg
Shaft diameter	0 mm	Colour	RAL 5010
Insulation class	F		

### Coupling

Manufacturer	
Series	
Type	
Frame size	
Spacer length	
Weight	
Coupling protection	

### Base plate

Description	
Weight	

### Remarks:

Customer	Date	12/8/2020
Contact	Project	
Phone number	Project no.	
Email		

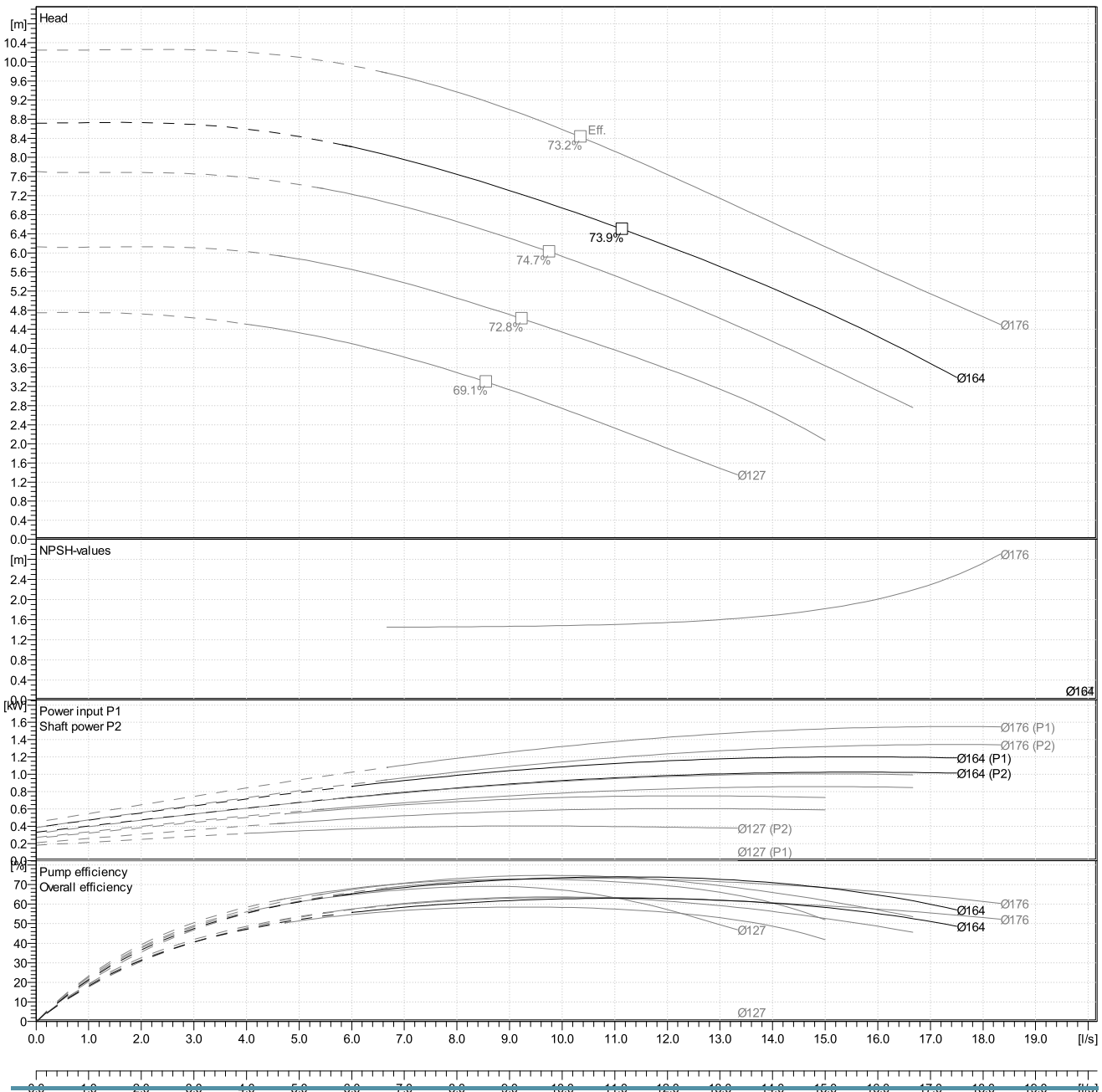
## ESHE 65-160/11/P45RSNA

### 101863570

#### Hydraulic data

Operating Data Specification		Hydraulic data (duty point)		Impeller design	
Flow	0 l/s	Flow		Impeller R	164 mm
Head	0 m	Head		Frequency	50 Hz
Static head	0 m			Speed	1450 rpm

Power data referred to:  
 Water, pure [100%] ; 4°C; 1000kg/m<sup>3</sup>; 1.57mm<sup>2</sup>/s  
 Performance according to ISO 9906:2012 – Grade 3B



Customer	Date	12/8/2020
Contact	Project	
Phone number	Project no.	
Email		

**ESHE 65-160/11/P45RSNA**  
101863570

**Dimensions** mm/l

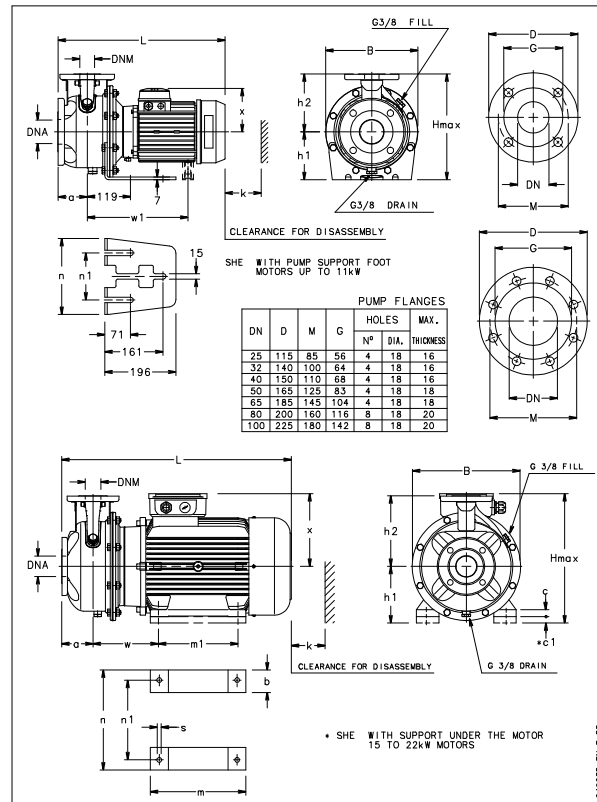
a	100		
B	310		
DNA	80		
DNM	65		
h1	160		
h2	200		
Hmax	360		
k	130		
L	498		
n	245		
n1	130		
x	134		
		Total weight	45 kg

**Connections** mm

Suction nozzle	Discharge nozzle
DN 80	DN 65
PN 12	PN 12
EN1092-2 (e-SH)	EN1092-2 (e-SH)

D	200	D	185
Dia. Holes	18	Dia. Holes	18
DN	80	DN	65
G	114	G	104
M	160	M	145
Max thickness	20	Max thickness	18
N° Holes	8	N° Holes	4

**Drawing**



046035-EN-LE\_03