

Customer	Date	1/14/2021
Contact	Project	
Phone number	Project no.	
Email		

## 22SV17F185T

### 1016LD771

#### Operating data

Pump type	Single head pump	Fluid	Water, pure
No. of pumps / Reserve	1 / 0	Operating temperature t A	°C 4
Nominal flow	l/s 0	pH-value at t A	7
Nominal head	m 0	Density at t A	kg/m <sup>3</sup> 1000
Static head	m 0	Kin. viscosity at t A	mm <sup>2</sup> /s 1.569
Inlet pressure	kPa 0	Vapor pressure at t A	kPa 100
Environmental temperature	°C 20	Solids	0
Available system NPSH	m 0	Altitude	m 0

#### Pump data

Make	Lowara	Nominal	l/s ( )
Speed	rpm 2900	Flow Max-	l/s 8.1
Number of stages	17	Min-	l/s
Max. casing pressure	kPa	Nominal	m
Max. working pressure	kPa 2584.3	Head at Qmax	m 123.2
Head H(Q=0)	m 260	at Qmin	m 263.5
Weight	kg 156	Shaft power	kW ( )
Max.	m 170.1	Max. shaft power	kW 17.7
Impeller R designed	m 170.1	Efficiency	%
Min.	m 170.1	NPSH 3%	m

#### Pump Materials

Pump body	Stainless steel / AISI 304
Impeller	Stainless steel / AISI 304
Diffuser	Stainless steel / AISI 304
Outer sleeve	Stainless steel / AISI 304
Shaft	Stainless steel / AISI 304
Adapter	Cast iron
Base	Aluminium
Coupling	Aluminium
SEAL HOUSING	Stainless steel / AISI 304
Coupling protection	Stainless steel / AISI 304
Shaft sleeve and bushing	Tungsten carbide
Fill / drain plugs	Stainless steel / AISI 304
Tie rods	Galvanized steel
Wear Ring	Technopolymer PPS

#### Shaft Seal

e-SV Mechanical seal	Roten
e-SV - Uniten (-30 / +120 °C)	
1 - Rotating part	Silicon Carbide
2 - Stationary part	Resin impregnated carbon
3 - Elastomers	EPDM
4 - Springs	AISI 316
5 - Other components	AISI 316

#### Motor data

Manufacturer	Lowara	Electric voltage	400 V	Speed	2950 rpm	Insulation class	155 (F)
Specific design	IE3 Three phase surface motor (e-SV)	Frame size	160	Colour			RAL 5010
Type	PLM160B5/3185 E3 (220-240/380-415V)						
Rated power	18.5 kW	Degree of protection	IP55				
Electric current	32.7 A						

#### Remarks:

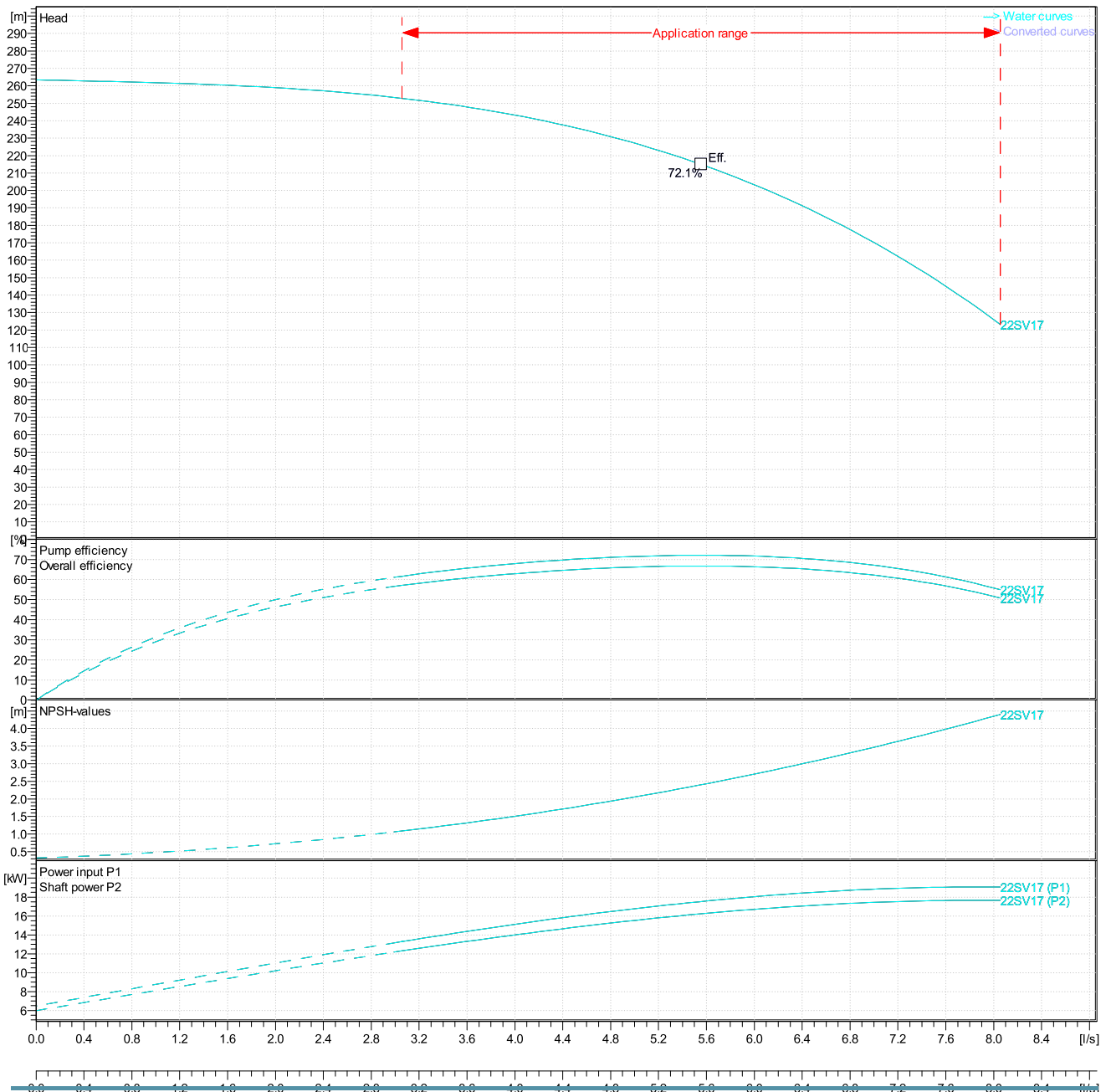
Customer	Date	1/14/2021
Contact	Project	
Phone number	Project no.	
Email		

## 22SV17F185T 1016LD771

### Hydraulic data

Operating Data Specification		Hydraulic data (duty point)		Impeller design	
Flow	0 l/s	Flow		Impeller R	170.08 m
Head	0 m	Head		Frequency	50 Hz
Static head	0 m	MEI >=0,7		Speed	2900 rpm

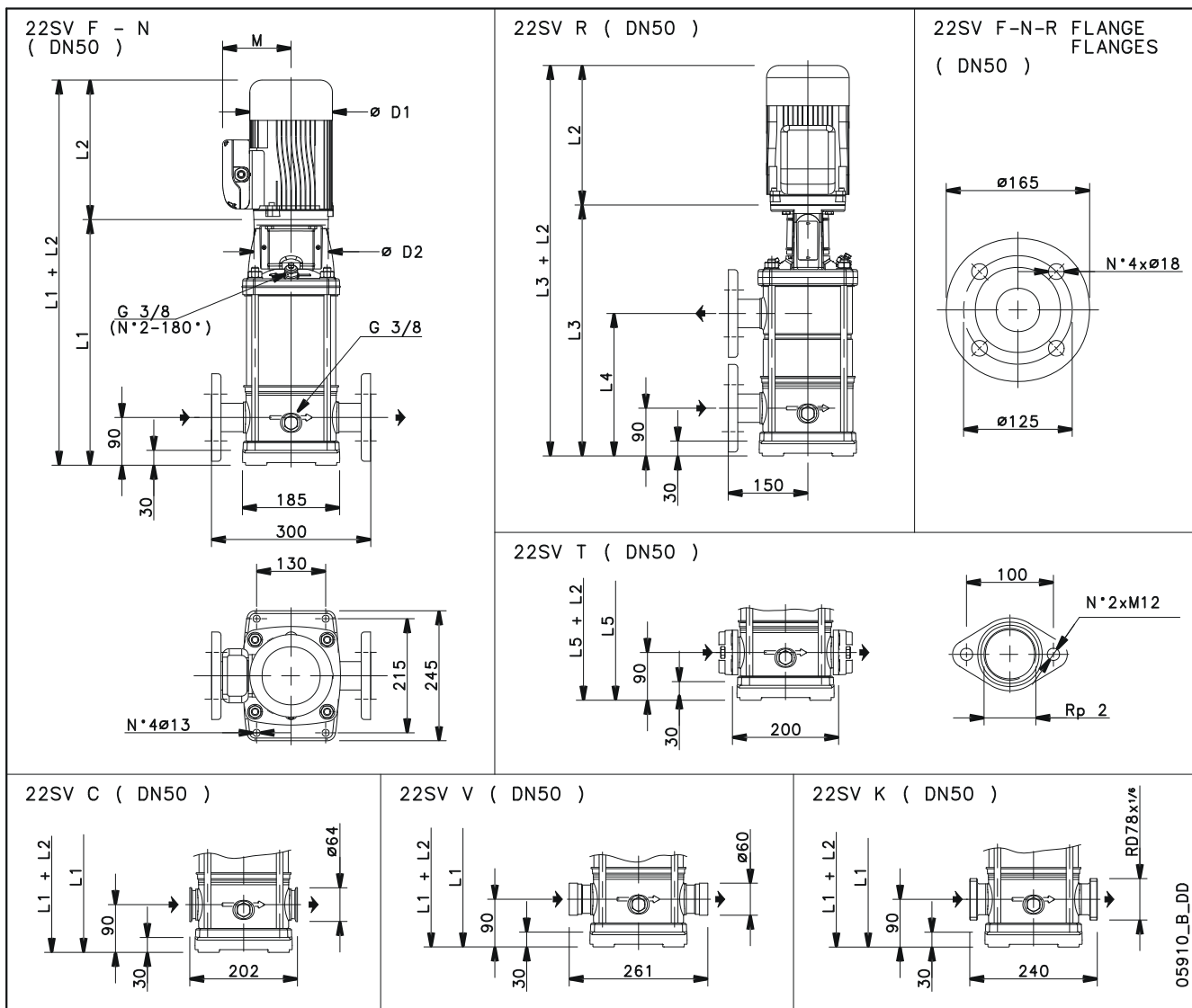
**Power data referred to:**  
**Water, pure [100%] ; 4°C; 1000kg/m³; 1.57mm²/s**  
 Performance according to ISO 9906:2012 – Grade 3B



Customer	Date	1/14/2021
Contact	Project	
Phone number	Project no.	
Email		

**22SV17F185T**  
**1016LD771**

**Drawing**



**Dimensions m**

D1	492.91					Weight 156 kg
D2	551.18					
L1	1946.5					
L2	777.95					
L3	1946.5					
L4	1456.7					
M	377.95					

05910\_B\_DD