

Customer	Date	12/17/2020
Contact	Project	
Phone number	Project no.	
Email		

## 15SV11R110T

### 1016LD503

#### Operating data

Pump type	Single head pump	Fluid	Water, pure
No. of pumps / Reserve	1 / 0	Operating temperature t A	°C 4
Nominal flow	l/s 0	pH-value at t A	7
Nominal head	m 0	Density at t A	kg/m <sup>3</sup> 1000
Static head	m 0	Kin. viscosity at t A	mm <sup>2</sup> /s 1.569
Inlet pressure	kPa 0	Vapor pressure at t A	kPa 100
Environmental temperature	°C 20	Solids	0
Available system NPSH	m 0	Altitude	m 0

#### Pump data

Make	Lowara	Nominal	l/s ( )
Speed	rpm 2900	Flow Max-	l/s 6.7
Number of stages	11	Min-	l/s
Max. casing pressure	kPa	Nominal	m
Max. working pressure	kPa 1592.2	Head at Qmax	m 84.7
Head H(Q=0)	m 160	at Qmin	m 162.3
Weight	kg 109	Shaft power	kW ( )
Impeller R	Max. mm 105	Max. shaft power	kW 8.7
	designed mm 105	Efficiency	%
	Min. mm 105	NPSH 3%	m

#### Pump Materials

Pump body	Stainless steel / AISI 304
Impeller	Stainless steel / AISI 304
Diffuser	Stainless steel / AISI 304
Outer sleeve	Stainless steel / AISI 304
Shaft	Stainless steel / AISI 304
Adapter	Cast iron
Base	Aluminium
Coupling	Aluminium
SEAL HOUSING	Stainless steel / AISI 304
Coupling protection	Stainless steel / AISI 304
Shaft sleeve and bushing	Tungsten carbide
Fill / drain plugs	Stainless steel / AISI 304
Tie rods	Galvanized steel
Wear Ring	Technopolymer PPS

#### Shaft Seal

e-SV Mechanical seal	Roten
e-SV - Uniten (-30 / +120 °C)	
1 - Rotating part	Silicon Carbide
2 - Stationary part	Resin impregnated carbon
3 - Elastomers	EPDM
4 - Springs	AISI 316
5 - Other components	AISI 316

#### Motor data

Manufacturer	Lowara	Electric voltage	400 V	Speed	2930 rpm	Insulation class	155 (F)
Specific design	IE3 Three phase surface motor (e-SV)	Frame size	160R	Colour			RAL 5010
Type	PLM160RB5/3110 E3 (220-240/380-415V)						
Rated power	11 kW	Degree of protection	IP55				
Electric current	20.2 A						

#### Remarks:

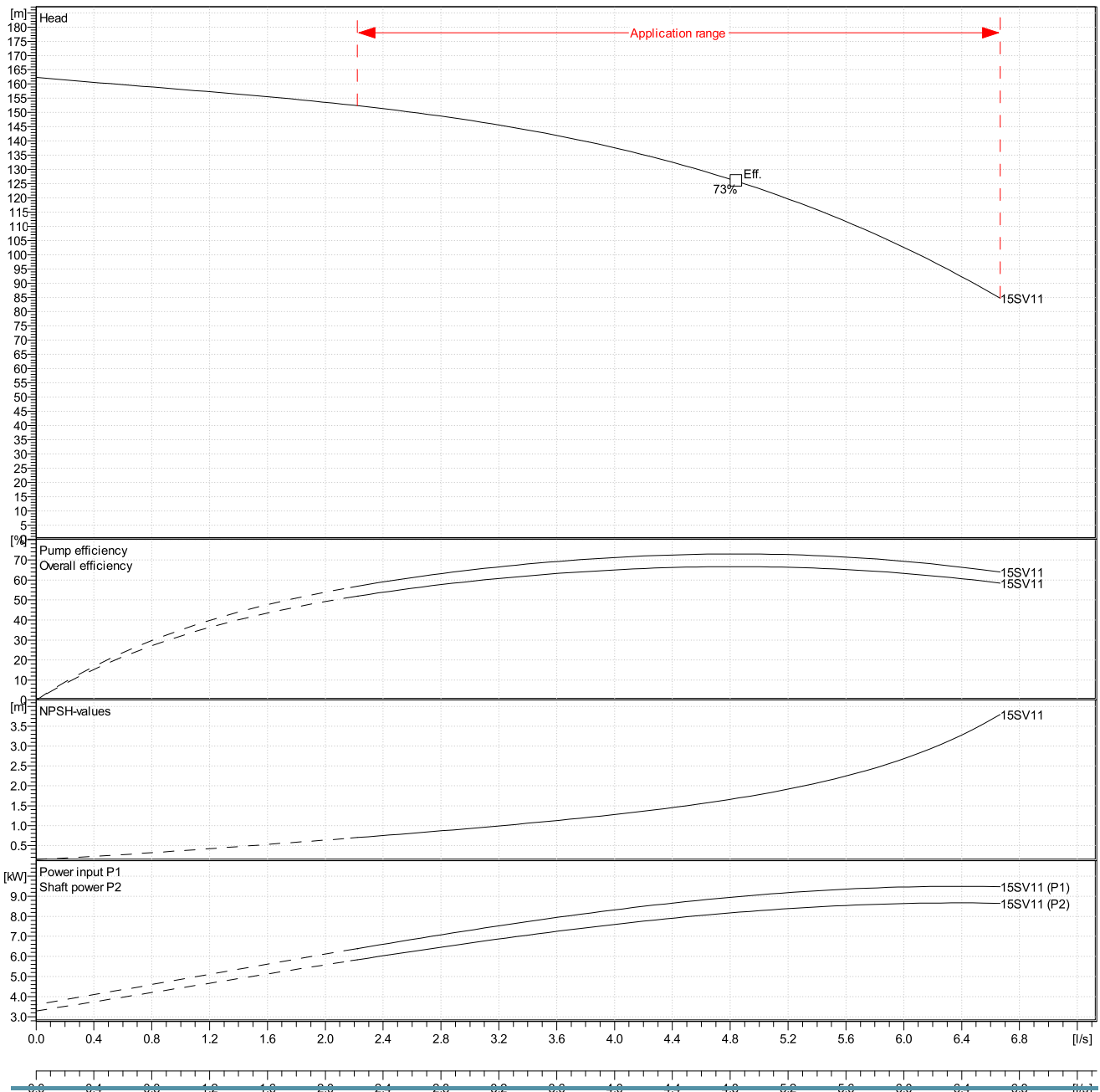
Customer	Date	12/17/2020
Contact	Project	
Phone number	Project no.	
Email		

## 15SV11R110T 1016LD503

### Hydraulic data

Operating Data Specification		Hydraulic data (duty point)		Impeller design	
Flow	0 l/s	Flow		Impeller R	105 mm
Head	0 m	Head		Frequency	50 Hz
Static head	0 m	MEI $\geq 0,7$		Speed	2900 rpm

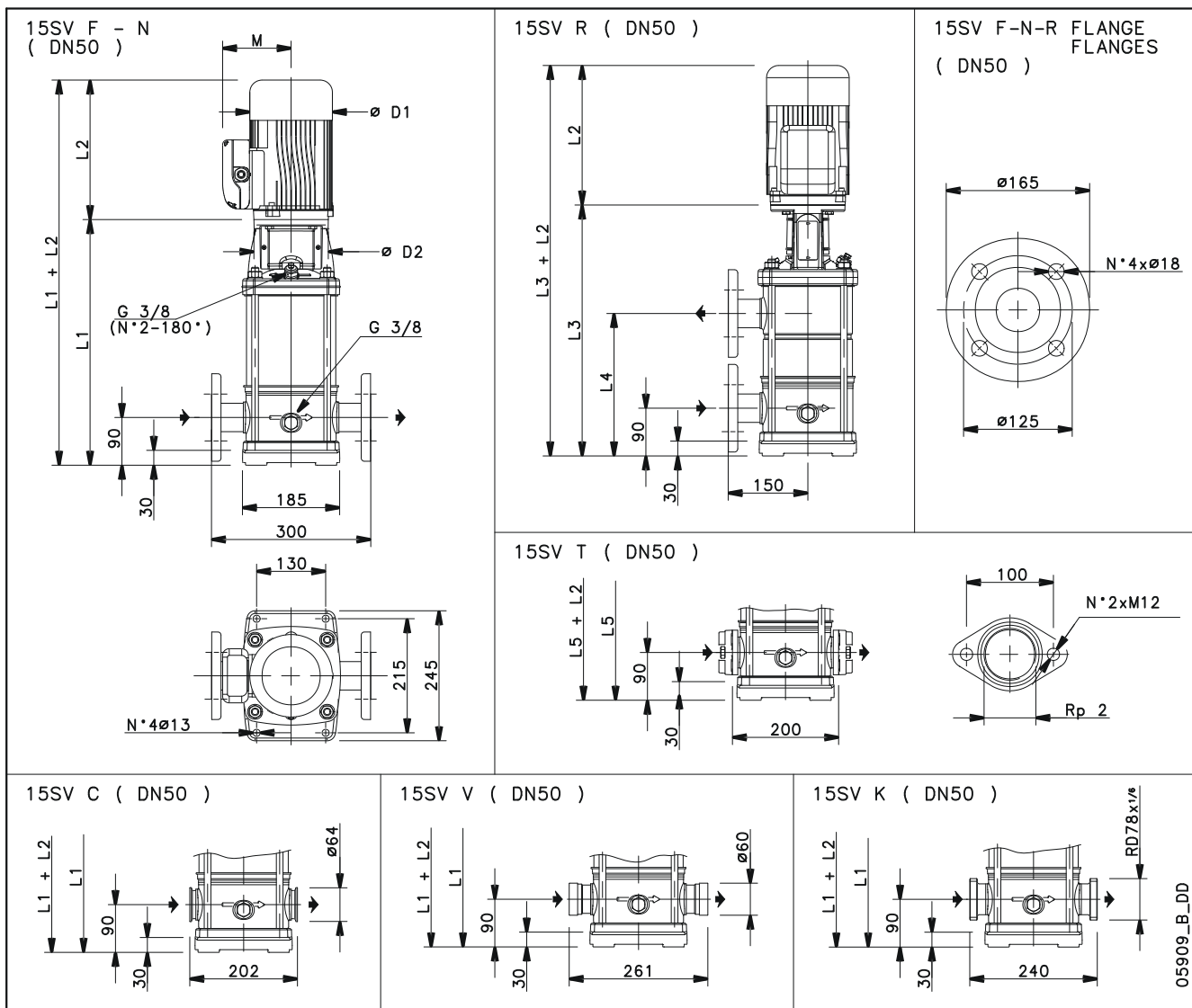
Power data referred to:  
 Water, pure [100%] ; 4°C; 1000kg/m<sup>3</sup>; 1.57mm<sup>2</sup>/s  
 Performance according to ISO 9906:2012 – Grade 3B



Customer	Date	12/17/2020
Contact	Project	
Phone number	Project no.	
Email		

## 15SV11R110T 1016LD503

### Drawing



### Dimensions mm

D1	256					Weight 109 kg
D2	350					
L1	948					
L2	428					
L3	948					
L4	637					
M	191					